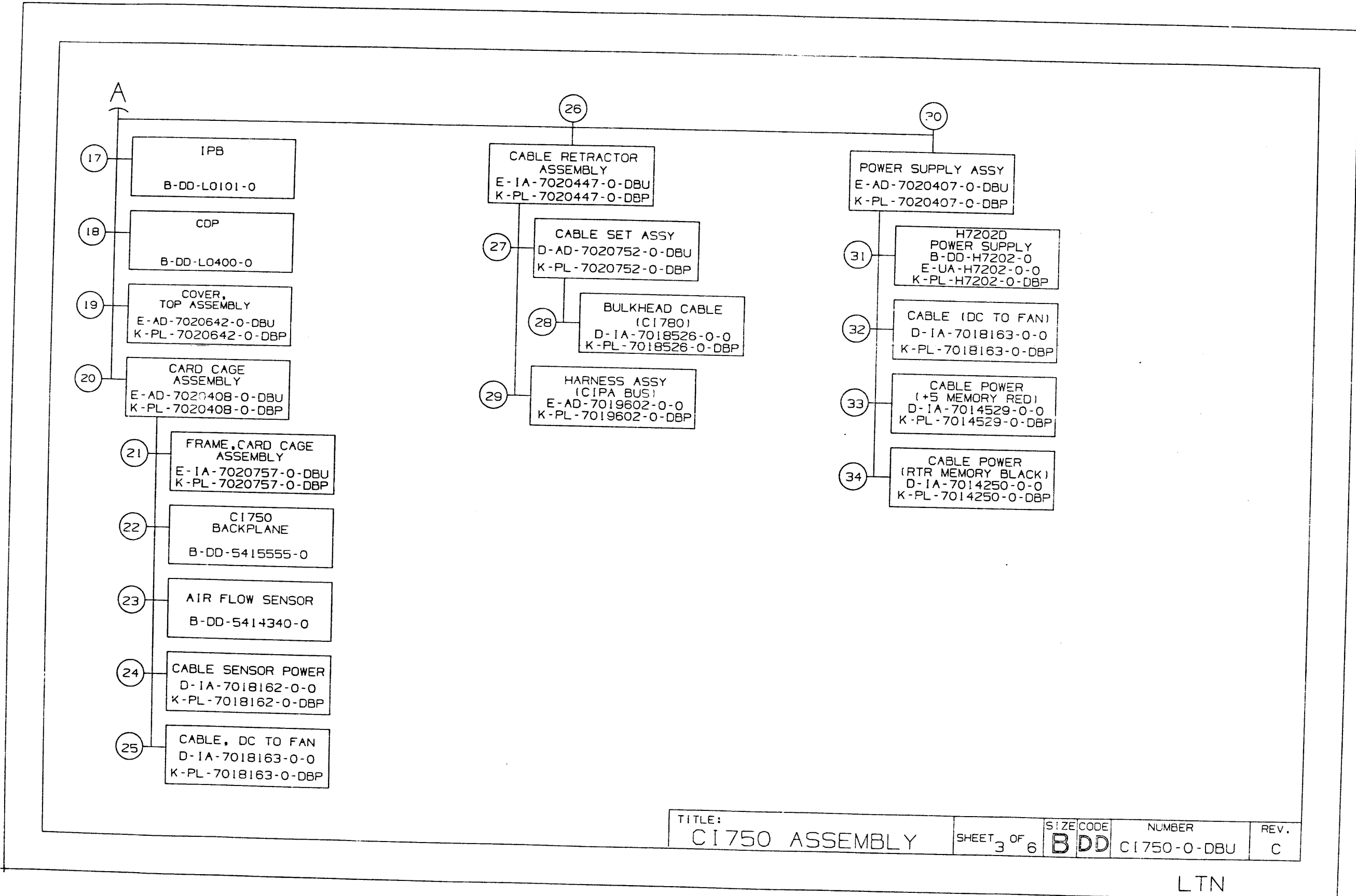


TITLE: C1750 ASSEMBLY	SHEET 2 OF 6	SIZE CODE B DD	NUMBER C1750-0-DBU	REV. C
--------------------------	--------------	-------------------	-----------------------	-----------

LTN



TITLE:	SHEET 3 OF 6	SIZE CODE	NUMBER	REV.
C1750 ASSEMBLY		BDD	C1750-0-DBU	C

LTN

FIND NO.	DRAWING NO.	DESCRIPTION	TYPE	FIND NO.	DRAWING NO.	DESCRIPTION	TYPE
1	MP 01647	FIELD MAINTENANCE PRINT SET (MPI)		11	B-DD-877-0-DBU	877-D POWER CONTROLLER 120V, 24A	E/M
	B-TC-C1750-0-DBU1	FIELD MAINTENANCE PRINT SET (TCI)					
	B-DD-C1750-0-DBU	C1750 ASSEMBLY-DWG DIRECTORY		12	B-DD-L0009-0	CCI	E/M
	E-UA-C1750-0-DBU	C1750 ASSEMBLY	E/M				
	K-PL-C1750-0-DBP	C1750 ASSEMBLY-PARTS LIST	E	13	B-DD-H9544-SK-DBU	PRIMARY BULKHEAD PANEL W 877 POW CONTROLLER CUTOUT	E/M
	E-IC-C1750-0-DBU2	C1750 INTERCONNECT DIAGRAM	E				
	E-IC-C1750-0-DBU3	C1750 DUAL IC DIAGRAM	E	14	E-AD-7020700-0-DBU	C1750-C ASSEMBLY	E/M
	K-BD-C1750-0-0	C1750 BLOCK DIAGRAM	M		K-PL-7020700-0-DBP	C1750-C ASSEMBLY PARTS LIST	
	A-PS-1215843-0-0	CLIP, FLAT CABLE W/ ADHESIVE BACK	M		D-MD-7428678-0-DBU	BRACKET, CIRCUIT BREAKER	M
	E-1A-7431440-0-DBU	PANEL, FRONT, SC 4	M		B-MD-7423050-0-DBU	COVER PLATE	M
	C-SS-7431440-0-1	SILK SCREEN, PANEL, FRONT			B-1A-7423049-0-DBU	STUD PLATE	M
	C-SS-7431440-0-2	SILK SCREEN, PANEL, REAR			E-MD-7427861-0-0	COVER, CARD CAGE	M
	C-MD-7431439-0-DBU	PLATE CONTROLLER	M		C-MD-7428979-0-DBU	COVER, LEXAN	M
	E-1A-7431233-0-DBU	FRAME, MOUNTING, SC4	M		D-MD-7428427-0-DBU	BRACKET, MODULE SUPPORT	M
	C-MD-7428810-0-DBU	BRACKET, FRONT DOOR LOCK	M		C-1A-7427380-0-DBU	BRACKET, RETAINER	M
	B-MD-7425168-0-0	BAR, NUT	M				
	D-MD-7419261-0-0	BRACKET, CHASSIS SLIDE	M	15	E-AD-7020406-0-DBU	FRAME ASSEMBLY	E/M
	E-1A-7432233-0-DBU	BRACKET, LOCKING	M		K-PL-7020406-0-DBP	FRAME ASSEMBLY PARTS LIST	
					E-MD-7430175-0-0	FRAME, BOTTOM	M
2	B-DD-H9544-E	SHIELDED FRONT DOOR, 40" SINGLE WIDTH	M		E-1A-7430176-0-0	PANEL, RIGHT SIDE	M
					E-1A-7430177-0-0	PANEL, LEFT SIDE	M
					E-1A-7430179-0-0	FRAME, FRONT	M
					E-MD-7430178-0-0	FRAME, REAR	M
3	B-DD-H9542-F-DBU	FRAME ASSY	M		D-MD-7430185-0-DBU	DOOR, SIDE	M
					D-MD-7427865-0-DBU	HINGE, DOOR	M
					D-MD-7421616-0-0	SPRING, BOX LOCK	M
4	B-DD-H9544-A	SHIELDING INSERT, " END PANEL	M		D-1A-7427863-0-DBU	STRUT, BOTTOM	M
					D-MD-7427866-0-DBU	FILTER, FOAM	M
					D-MD-7427867-0-DBU	FOAM, FAN	M
5	B-DD-H9544-B	SHIELDED REAR DOOR, 40" SINGLE WIDTH	M		D-MD-7427862-0-DBU	FOAM, CARD CAGE	M
					D-1A-7430180-0-0	BRACKET, CC MOUNT	M
					K-PL-7430180-0-DBP	BRACKET, CC MOUNT PARTS LIST	
6	B-DD-H9544-J	SHIELDED EXPANDER KIT, 40"	M		C-MD-7423073-0-DBU	VELCRO STRIP, UPPER	M
					A-PS-1219059-0-0	CLIP, FLAT CABLE 2.45"W	M
					C-1A-7428677-0-DBU	BRACKET, CIRCUIT	M
7	B-DD-H9544-L	SHIELDED TOP COVER, 40" SINGLE WIDTH	M		K-PL-7429677-0-DBP	BRACKET, CIRCUIT PARTS LIST	
					D-MD-7430181-0-0	BRKT, LOWER, FR & RR	M
					C-1A-7430310-0-0	BRKT, UPPER, FRONT	M
8	C-1A-7008288-0-0	CABLE ASSEMBLY	E/M		K-PL-7430310-0-DBP	BRKT, UPPER, FRONT PARTS LIST	
					C-MD-7430311-0-0	BRKT, UPPER REAR	M
					C-1A-7430183-0-0	NUT PLATE	M
9	A-PA-3700371-0-0	PACKAGING INSTRUCTIONS	M		K-PL-7430183-0-DBP	NUT PLATE PARTS LIST	
					C-MD-7430184-0-0	WINDOW, PLASTIC	M
					A-PS-1213686-01	MOUNTING RAIL	M
10	B-DD-877-0-DBU	877-B POWER CONTROLLER 240V, 12A	E/M				
				16	B-DD-L0100-0	ILI	E/M

TYPE: E ELECTRICAL
M MECHANICAL
E/M ELECTRO/MECHANICAL

digital

TITLE: CI750 ASSEMBLY

SHEET 4 OF 6

SIZE CODE BDD

NUMBER CI750-0-DBU

REV. C

DRB 108A

LTN

FIND NO.	DRAWING NO.	DESCRIPTION	TYPE	FIND NO.	DRAWING NO.	DESCRIPTION	TYPE
17	B-DD-L0101-0	IPB	E/M	24	D-1A-7018162-0-0	CABLE, SENSOR POWER	E/M
18	B-DD-L0400-0	CDP	E/M		K-PL-7018162-0-DBP	CABLE, SENSOR POWER -PARTS LIST	
19	E-AD-7020642-0-DBU	COVER, TOP ASSEMBLY	M	25	D-1A-7018163-0-0	CABLE, DC TO FAN	E/M
	K-PL-7020642-0-DBP	COVER, TOP ASSEMBLY - PARTS LIST	M		K-PL-7018163-0-DBP	CABLE, DC TO FAN -PARTS LIST	
	E-MD-7430189-0-0	COVER, TOP	M	26	E-1A-7020447-0-DBU	CABLE RETRACTOR ASSEMBLY	E/M
20	E-AD-7020408-0-DBU	CARD CAGE ASSEMBLY	E/M		K-PL-7020447-0-DBP	CABLE RETRACTOR ASSEMBLY -PARTS LIST	
	K-PL-7020408-0-DBP	CARD CAGE ASSEMBLY -PARTS LIST	E/M		D-MD-7428769-0-DBU	RETRACTOR, RIBBON CABLE	M
	E-1A-7427378-0-DBU	PLENUM	M	27	D-AD-7020752-0-DBU	CABLE SET ASSEMBLY	E/M
	D-MD-7427925-0-DBU	INSULATOR	M		K-PL-7020752-0-DBP	CABLE SET ASSEMBLY -PARTS LIST	
	D-1A-7428581-0-DBU	BRACKET, L, STRAIN RELIEF	M		D-1A-7426407-26-DBU	PANEL, MASTER (T/RA)	M
	C-1A-7428368-0-DBU	BRACKET, LEFT STRAIN RELIEF	M		K-PL-7426407-26-DBP	PANEL, MASTER (T/RA) -PARTS LIST	
	C-MD-7428580-0-DBU	PLATE, STRAIN RELIEF	M		D-1A-7426407-27-DBU	PANEL, MASTER (T/RB)	M
	A-PS-1217556-0-0	FAN, TUBE AXIAL	E/M		K-PL-7426407-27-DBP	PANEL, MASTER (T/RB) -PARTS LIST	
	A-PS-1210263-0-0	GUARD, FINGER	M	28	D-1A-7018526-0-0	BULKHEAD CABLE (CI780)	E/M
21	E-1A-7020757-0-DBU	FRAME, CARD CAGE ASSEMBLY	M		K-PL-7018526-0-DBP	BULKHEAD CABLE (CI780) -PARTS LIST	
	K-PL-7020757-0-DBP	FRAME, CARD CAGE ASSEMBLY -PARTS LIST		29	E-AD-7019602-0-0	HARNESS ASSEMBLY (CIPA BUS)	E/M
	E-1A-7430186-0-DBU	BOTTOM, CC	M		K-PL-7019602-0-DBP	HARNESS ASSEMBLY (CIPA BUS) -PARTS LIST	
	K-PL-7430186-0-DBP	BOTTOM, CC -PARTS LIST		30	E-1A-7020407-0-DBU	POWER SUPPLY ASSEMBLY	E/M
	E-1A-7430187-0-DBU	FRAME, CARDCAGE, FRONT	M		K-PL-7020407-0-DBP	POWER SUPPLY ASSEMBLY -PARTS LIST	E/M
	K-PL-7430187-0-DBP	FRAME, CARDCAGE, FRONT -PARTS LIST			D-MD-7427369-0-DBU	BRACKET, LEFT, P.S.	M
	E-1A-7430188-0-DBU	FRAME, CARDCAGE, REAR	M		D-MD-7427370-0-DBU	BRACKET, RIGHT, P.S.	M
	K-PL-7430188-0-DBP	FRAME, CARDCAGE, REAR -PARTS LIST			A-PS-1217556-0-0	FAN, TUBE AXIAL	E/M
	C-MD-7423051-0-0	ROD SUPPORT	M		A-PS-1700388-0-0	FLEX CABLE ASSEMBLY	E/M
	D-MD-7428365-0-DBU	STRUT, HORIZONTAL	M	31	B-DD-H7202-0	H7202 POWER SUPPLY -DWG DIRECTORY	
	A-PS-1211630-0-0	GUIDE, CARD	M	32	D-1A-7018163-0-0	CABLE, DC TO FAN	E/M
22	B-DD-5415555-0	CI750 BACKPLANE -DWG DIRECTORY			K-PL-7018163-0-DBP	CABLE, DC TO FAN -PARTS LIST	
	E-UA-5415555-0-0	CI750 BACKPLANE ASSEMBLY	E/M	33	D-1A-7014529-0-0	CABLE POWER (+5 MEMORY -RED)	E/M
	K-PL-5415555-0-DBP	CI750 BACKPLANE ASSEMBLY -PARTS LIST			K-PL-7014529-0-DBP	CABLE POWER (+5 MEMORY -RED) -PARTS LIST	
	D-EC-5015554-0-0	CI750 BACKPLANE ASSEMBLY -ETCH CUT	E	34	D-1A-7014250-0-0	CABLE POWER (RTR MEMORY -BLK)	E/M
23	B-DD-5414340-0	AIR FLOW SENSOR -DWG DIRECTORY			K-PL-7014250-0-DBP	CABLE POWER (RTR MEMORY -BLK) -PARTS LIST	
	D-UA-5414340-0-0	AIR FLOW SENSOR ASSEMBLY	E/M	TITLE: CI750 ASSEMBLY			
	K-PL-5414340-0-DBP	AIR FLOW SENSOR ASSEMBLY -PARTS LIST		SHEET 5 OF 6			
	D-CS-5414340-0-0	AIR FLOW SENSOR -CIRCUIT SCHEMATIC	E	SIZE CODE BDD			
				NUMBER CI750-0-DBU			
				REV. C			

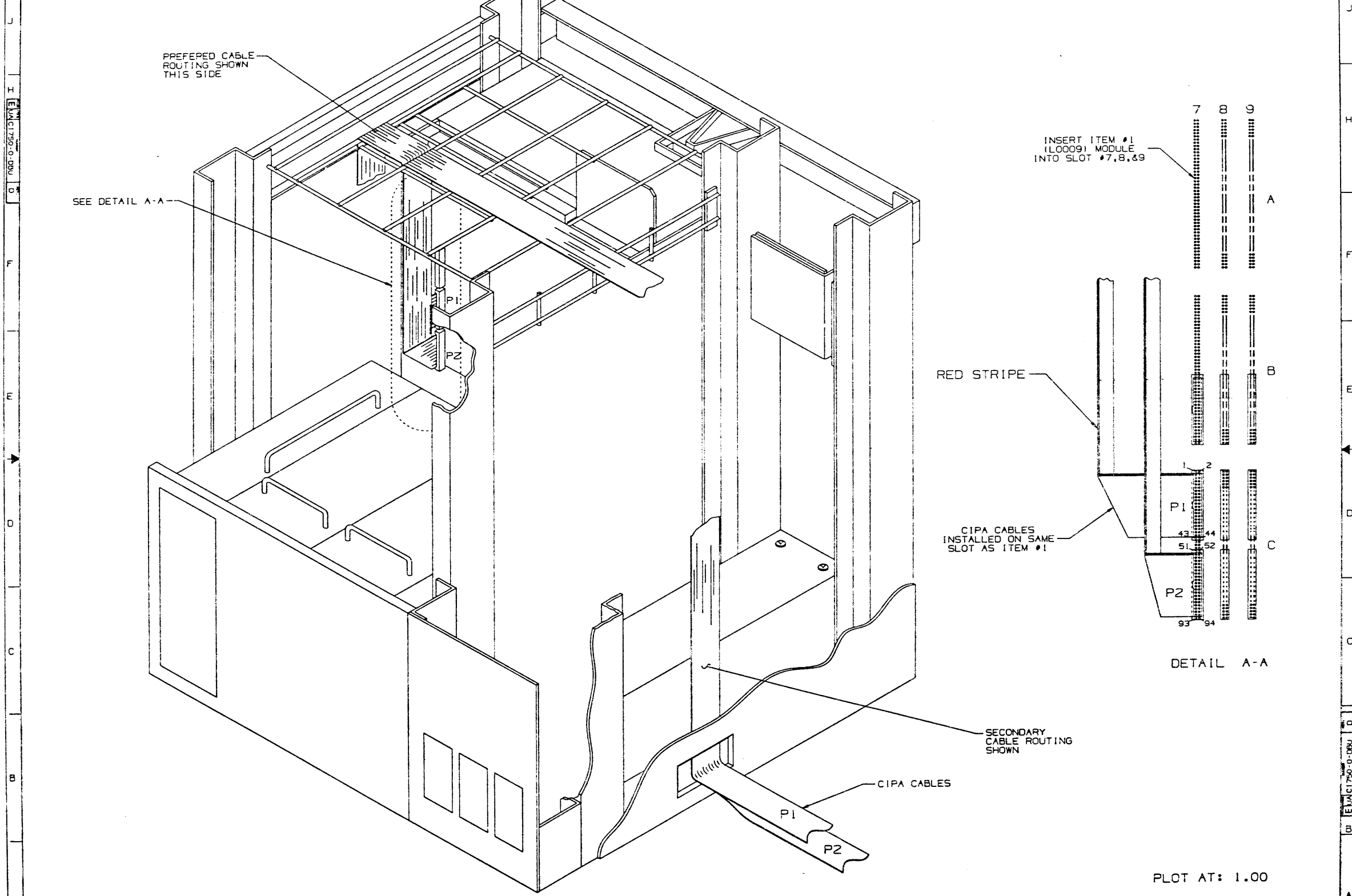
TYPE: E ELECTRICAL
M MECHANICAL
E/M ELECTRO/MECHANICAL

digital

DRB 108A

LTN

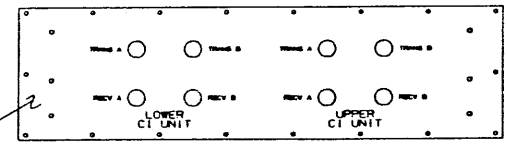
THIS DRAWING AND SPECIFICATIONS, HEREINAFTER THE PROPERTY OF DIGITAL EQUIPMENT CORPORATION AND SHALL NOT BE REPRODUCED OR COPIED OR USED IN WHOLE OR IN PART AS THE BASIS FOR THE MANUFACTURE OR SALE OF ITEMS WITHOUT WRITTEN PERMISSION. COPYRIGHT © 1984. DIGITAL EQUIPMENT CORPORATION



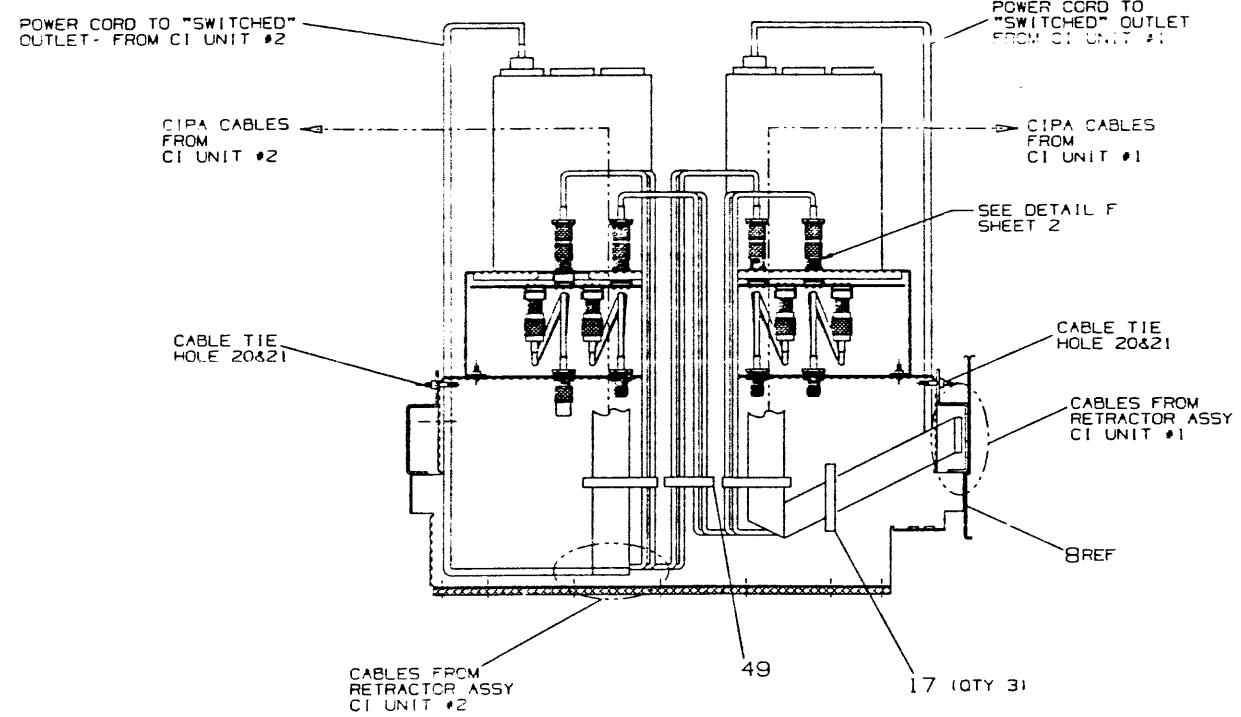
REVISION HISTORY		
DATE	ADD. HISTORY	REV.

THIS DRAWING AND SPECIFICATIONS CONTAINED HEREIN ARE THE PROPERTY OF THE UNITED STATES GOVERNMENT AND ARE TO BE REPRODUCED IN WHOLE OR IN PART BY ANY PERSON OR ORGANIZATION AT ANY TIME AND BY ANY MEANS WITHOUT PERMISSION OF THE UNITED STATES GOVERNMENT.

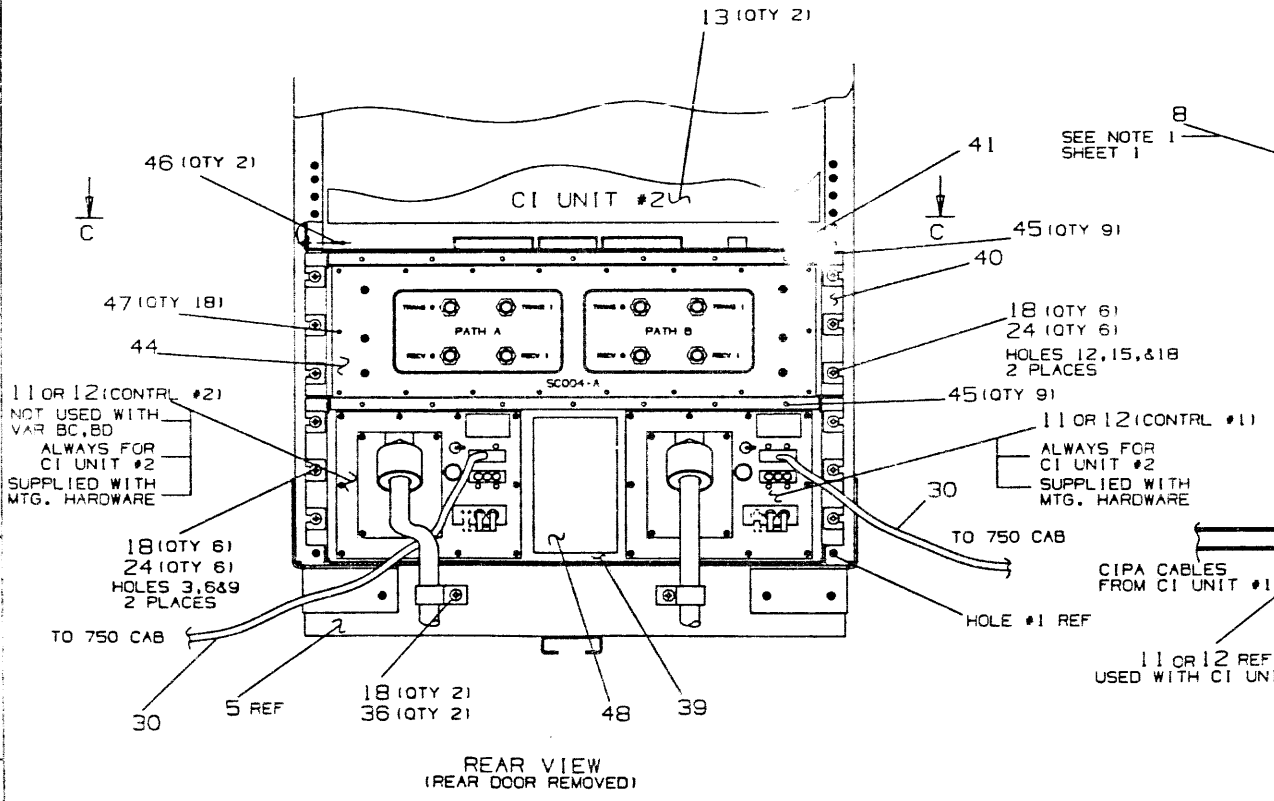
VARIATIONS -FA/-FB SHOWN
 NOTE: IF STAR COUPLER IS TO BE DISCARDED, FRONT PANEL CAN BE REMOVED FROM ASSY AND OPPOSITE SIDE CAN BE USED AS NEW FCC OR I/O PANEL. PRINTED CONNECTOR INFO ALREADY ON PANEL.
 VARIATIONS -HA/-HB (NOT SHOWN)
 SUBSTITUTE ITEM 43 FOR 44 USING SAME REQUIRED HARDWARE. SEE VIEW "D" FOR CONNECTOR INFO.
 VARIATIONS -BC/-BD (NOT SHOWN)
 SAME AS -HA/-HB, BUT USES SINGLE CI UNIT AT UPPER LEVEL. REPLACE CONTROLLER #2 WITH ITEM 42 USING 45 (QTY 10).



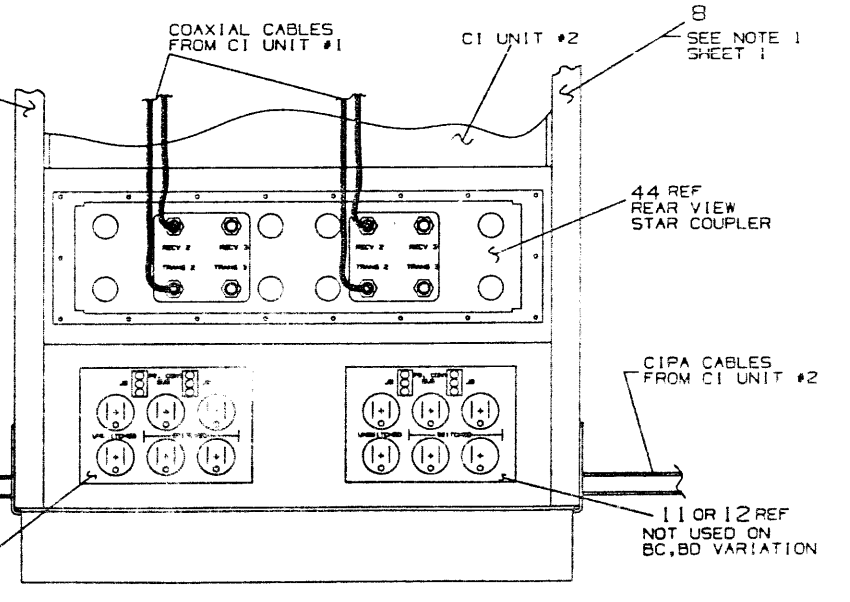
VIEW "D"
 VAR -HA/-HB
 (SEE DETAIL E, SHEET 2)



VIEW C-C



REAR VIEW
 (REAR DOOR REMOVED)



INSIDE FRONT VIEW
 (FRONT DOOR REMOVED)

VARIATIONS -FA/-FB SHOWN
 SEE ABOVE LEFT FOR OTHER VARIATIONS.

PLOT AT: .500

REVISION HISTORY		
DATE	FOR HISTORY	REV

TITLE		DOCUMENT NUMBER	
CI750 UNIT ASSEMBLY		EUA	CI750-0-08U
SCALE NONE		SHEET 4	OF 4

PARTS LIST

LINE	ITEM	TOP DOCUMENT	PART NUMBER	MIN REV	DESCRIPTION	QTY PER VARIATION													
						AA C1	AB C1	BA C1	BB C1	BC D1	BD D1	CA D1	CB D1	FA D1	FB D1	HA D1	HB D1		
1	1		L0009-00		CCI (CMI TO CIPA INTERFACE),4-LA	1	1	1	1	1	1	-	-	2	2	2	2		
2	2	E-UA-H9544-E-0	H9544-ET		FRONT DOOR ASSY,SHIELDED,CI750,G	-	-	1	1	1	1	-	-	1	1	1	1		
3	3	A-PS-1700083-0-0	1700083-22		PWR CORD,TERM 3-14 SJT 125	1	-	1	-	1	-	1	-	2	-	2	-		
4	4	A-PS-1700083-0-0	1700083-21		PWR CORD,TERM 3-14 SJT 250	-	1	-	1	-	1	-	1	-	2	-	2		
5	5	E-UA-H9542-F-DBU	H9542-FD		40" FRONT LOADING CAB FRAME (H95	-	-	1	1	1	1	-	-	1	1	1	1		
6	6	E-UA-H9544-A-0	H9544-AE		SHIELDING INSERT,40" END PANEL	-	-	1	1	1	1	-	-	1	1	1	1		
7	7	E-UA-H9544-B-0	H9544-BF		SHIELDED REAR DOOR,40" SINGLE WI	-	-	1	1	1	1	-	-	1	1	1	1		
8	8	E-UA-H9544-J-0	H9544-JE		SHIELDED EXPANDER KIT,40"	-	-	1	1	1	1	-	-	2	2	2	2		
9	9	E-UA-H9544-L-0	H9544-LG		SHIELDED TOP COVER,40" SINGLE WI	-	-	1	1	1	1	-	-	1	1	1	1		
10	10	E-UA-H9544-S-DBU	H9544-SK		PRIMARY BULKHEAD PANEL W 877 POW	-	-	1	1	-	-	-	-	-	-	-	-		
11	11	E-UA-877-0-C	00877-D		120V 24A FILTERED POWER CTL,4 SW	-	-	1	-	1	-	-	-	2	-	2	-		
12	12	E-UA-877-0-0	00877-B		240V 12A FILTERED POWER CTL,4 SW	-	-	-	1	-	1	-	-	-	2	-	2		
13	13	E-AD-7020700-0-DBU	7020700-01		CI750-C ASSEMBLY	1	1	1	1	1	1	1	1	2	2	2	2		
14	14		9007031-00		TIE,CABLE BUNDL.DIA 0- 3/4"=101	6	6	6	6	6	6	-	-	12	12	12	12		
15	15	B-MD-7425168-0-0	7425168-01		BAR, NUT	4	4	4	4	4	4	4	4	8	8	8	8		
16	16	D-MD-7419261-0-0	7419261-00		BRACKET CHASSIS SLIDE	4	4	4	4	4	4	4	4	8	8	8	8		
17	17	A-PS-1215843-0-0	1215843-02		CLIP,FLAT CABLE W/ADHESIVE BK	-	-	1	1	1	1	-	-	3	3	3	3		
18	18		9009700-00		SCREW,SEMS TRUSS PHIL 10-	12	12	17	17	29	29	12	12	42	42	42	42		
19	19		9009617-00		TIE,CABLE BUNDL.DIA 0-3"TYPE=101	-	-	3	3	3	3	-	-	4	4	4	4		
20	20	A-PS-3617880-0-0	3617880-03		LABEL,FCC,CLASS A,PERIPHERAL	-	-	1	1	1	1	-	-	1	1	1	1		
21	21	A-PS-3621986-0-0	3621986-01		LABEL,MFCH.FASTENED F/CI750	-	-	2	2	2	2	-	-	2	2	2	2		
22	22	A-PS-3617674-0-0	3617674-01		LABEL,SERIAL/POWER W UL & CSA	-	-	1	1	1	1	-	-	1	1	1	1		
23	23		H9544-HC		KIT OF 1 STABILIZER LEG WITH LEV	-	-	1	1	1	1	-	-	1	1	1	1		
24	24		9007786-00		RETAINER,U-NUT 10-32X	-	-	6	6	12	12	-	-	20	20	20	20		
25	25		9010174-00		SCREW,SEMS PAN PHIL 6-	4	4	4	4	16	16	4	4	8	8	8	8		
26	26		1213686-00		CHASSIS SLIDE SET INCLUDED 1 L.H	1	1	1	1	1	1	1	1	2	2	2	2		
27	27		3700436-10		PKG. CAB H9642/H9645/H9646	-	-	1	1	1	1	-	-	1	1	1	1		
28	28		9006565-00		NUT,HEX EXT TOOTH LCKWSHR 10-32	1	1	1	1	1	1	-	-	2	2	2	2		
29	29		7007006-03		JUMPER H724	1	1	1	1	1	1	1	1	2	2	2	2		
30	30	C-IA-7008288-0-0	7008288-06		CABLE ASSY	1	1	1	1	1	1	1	1	2	2	2	2		

REVISION HISTORY			BASIC PART NO: CI750		DRN:	P. MARCOTTE	DATE:	15-MAR-83				D	I	G	I	T	A	L
ENG	ECO NUMBER	REV	SECTION A	OF B	CHK'D:	FRANK HALLIDAY	DATE:	15-MAR-83				TITLE PARTS LIST CI750 UNIT ASSY						
---	INITIAL	A	SECTION VARIATION INDEX		DES.ENG:	BOB MONDOR	DATE:	15-MAR-83				DOCUMENT NUMBER						
RM	CI750-TW001	B	(A)AA,AB,BA,BB,BC,BD,									SIZE	CODE	NUMBER	REV			
BM	CI750-TW002	C	CA,CB,FA,FB,HA,HB		RESP.ENG.:	BOB MONDOR	DATE:	15-MAR-83				K	PL	CI750-0-DBP	D			
RM	CI750-LTN03	D	(B)SA,SB		MFG.ENG.:	B SMITH	DATE:	15-MAR-83				RELEASE DATE: 07-MAY-85						
			(C)		ASSEMBLY NUMBER:	E-UA-CI750-0-DBU	TOP DOCUMENT NUMBER:	E-UA-CI750-0-DBU				FILE NAME:	Z6524D.PLS			EDIT #	12	
			(D)															
			(E)															
			(F)															

"THIS DRAWING AND THE SPECIFICATIONS CONTAINED HEREIN ARE CONFIDENTIAL AND PROPRIETARY. THEY ARE THE PROPERTY OF DIGITAL EQUIPMENT CORPORATION AND SHALL NOT BE REPRODUCED OR COPIED OR USED IN WHOLE OR IN PART AS THE BASIS FOR THE MANUFACTURE OR SALE OF ITEMS WITHOUT WRITTEN PERMISSION. THIS IS AN UNPUBLISHED WORK PROTECTED UNDER THE FEDERAL COPYRIGHT LAWS."

LINE	ITEM	TOP DOCUMENT	PART NUMBER	MIN REV	DESCRIPTION	QTY PER VARIATION													
						AA	AB	BA	BB	BC	BD	CA	CB	FA	FB	HA	HB		
						VARIATION REVISION LEVEL:	C1	C1	C1	C1	D1	D1	D1	D1	D1	D1	D1	D1	
31	31		3700731-01		PKG COMPUTER CI750-AA/AB (CUS)	1	1	-	-	-	-	1	1	-	-	-	-	-	
32	32	E-UA-SC008-AA-DBP	SC008-AC		*** THIS ITEM IS NOT USED ***	-	-	-	-	-	-	-	-	-	-	-	-	-	
33	33	K-PL-BNCIA-0-DBP	BNCIA-10		*** THIS ITEM IS NOT USED ***	-	-	-	-	-	-	-	-	-	-	-	-	-	
34	34		9009718-04		GROMMET,STRIP STYRENE	-	-	1	1	1	1	-	-	1	1	1	1	1	
35	35		9009718-00		GROMMET,STRIP STYRENE	-	-	1	1	1	1	-	-	1	1	1	1	1	
36	36		9007087-00		CLAMP,CABLE,SCREW MTD. 5/8 "	-	-	1	1	1	1	-	-	2	2	2	2	2	
37	37		7016995-00		PALLET ASSY.	-	-	REF	REF	REF	REF	-	-	REF	REF	REF	REF	REF	
38	38		9010174-01		SCREW,SEMS PAN PHIL 8-	8	8	8	8	8	8	8	8	8	8	16	16	16	16
39	39	D-AD-7022192-0-DBU	7022192-01		FRAME ASSY, POWER CONTROL MOUNT	-	-	-	-	1	1	-	-	1	1	1	1	1	
40	40	E-IA-7431233-0-DBU	7431233-01		FRAME,MOUNTING,SC4	-	-	-	-	1	1	-	-	1	1	1	1	1	
41	41	E-AD-7019794-0-DBU	7019794-00		COVER, I/O SHIELD ASSY	-	-	-	-	1	1	-	-	1	1	1	1	1	
42	42	C-MD-7431439-0-DBU	7431439-01		PLATE,CONTROLLER	-	-	-	-	1	1	-	-	-	-	-	-	-	
43	43	E-IA-7431440-0-DBU	7431440-01		PANEL,FRONT,SC4	-	-	-	-	1	1	-	-	-	-	1	1	1	
44	44	E-AD-7022193-0-DBU	7022193-01		STAR COUPLER ASSY	-	-	-	-	-	-	-	-	1	1	-	-	-	
45	45		9010155-00		SCREW,SEMS PAN PHIL 6-	-	-	-	-	28	28	-	-	18	18	18	18	18	
46	46		9010253-00		SCREW,SEMS PAN PHIL 10-	-	-	-	-	2	2	-	-	2	2	2	2	2	
47	47		9009546-00		SCREW,SEMS PAN PHIL 4-	-	-	-	-	18	18	-	-	18	18	18	18	18	
48	48	A-PS-3624195-0-0	3624195-01		LABEL,CAUTION,MULTI POWER CORDS	-	-	-	-	-	-	-	-	1	1	1	1	1	
49	49	A-PS-1215843-0-0	1215843-00		CLIP,FLAT CABLE W/ADHESIVE BK	-	-	-	-	1	1	-	-	1	1	1	1	1	
50	50	K-PL-7022467-0-DBP	7022467-01		SHIPLIST CI750	1	1	1	1	1	1	1	1	1	1	1	1	1	
51	51	B-MD-7432233-0-DBU	7432233-01		BRACKET,LOCKING	-	-	2	2	2	2	-	-	4	4	4	4	4	
52	52		9006075-03		SCREW,MACH TRUSS PHIL 10-	-	-	2	2	2	2	-	-	4	4	4	4	4	
53	53		9007651-00		WASHER,LOCK EXTERNAL STEEL	-	-	2	2	2	2	-	-	4	4	4	4	4	
54	54		9007906-00		*** THIS ITEM IS NOT USED ***	-	-	-	-	-	-	-	-	-	-	-	-	-	

LINE	ITEM	TOP DOCUMENT	PART NUMBER	MIN REV	DESCRIPTION	QTY PER VARIATION	
						SA	SB
						C1	C1
1	1		L0009-00		CCI (CMI TO CIPA INTERFACE),4-LA	2	2
2	2	E-UA-H9544-E-0	H9544-ET		FRONT DOOR ASSY,SHIELDED,CI750,G	2	2
3	3	A-PS-1700083-0-0	1700083-22		PWR CORD,TERM 3-14 SJT 125	2	-
4	4	A-PS-1700083-0-0	1700083-21		PWR CORD,TERM 3-14 SJT 250	-	2
5	5	E-UA-H9542-F-DBU	H9542-FD		40" FRONT LOADING CAB FRAME (H95	2	2
6	6	E-UA-H9544-A-0	H9544-AE		SHIELDING INSERT,40" END PANEL	2	2
7	7	E-UA-H9544-B-0	H9544-BF		SHIELDED REAR DOOR,40" SINGLE WI	2	2
8	8	E-UA-H9544-J-0	H9544-JE		SHIELDED EXPANDER KIT,40"	2	2
9	9	E-UA-H9544-L-0	H9544-LG		SHIELDED TOP COVER,40" SINGLE WI	2	2
10	10	E-UA-H9544-S-DBU	H9544-SK		PRIMARY BULKHEAD PANEL W 877 POW	2	2
11	11	E-UA-877-0-0	00877-D		120V 24A FILTERED POWER CTL,4 SW	2	-
12	12	E-UA-877-0-0	00877-B		240V 12A FILTERED POWER CTL,4 SW	-	2
13	13	E-AD-7020700-0-DBU	7020700-01		CI750-C ASSEMBLY	2	2
14	14		9007031-00		TIE,CABLE BUNDL.DIA 0- 3/4"=101	12	12
15	15	B-MD-7425168-0-0	7425168-01		BAR, NUT	8	8
16	16	D-MD-7419261-0-0	7419261-00		BRACKET CHASSIS SLIDE	8	8
17	17	A-PS-1215843-0-0	1215843-02		CLIP,FLAT CABLE W/ADHESIVE BK	2	2
18	18		9009700-00		SCREW,SEMS TRUSS PHIL 10-	34	34
19	19		9009617-00		TIE,CABLE BUNDL.DIA 0-3"TYPE=101	6	6
20	20	A-PS-3617880-0-0	3617880-03		LABEL,FCC,CLASS A,PERIPHERAL	2	2
21	21	A-PS-3621986-0-0	3621986-01		LABEL,MECH.FASTENED F/CI750	4	4
22	22	A-PS-3617674-0-0	3617674-01		LABEL,SERIAL/POWER W UL & CSA	2	2
23	23		H9544-HC		KIT OF 1 STABILIZER LEG WITH LEV	2	2
24	24		9007786-00		RETAINER,U-NUT 10-32X	12	12
25	25		9010174-00		SCREW,SEMS PAN PHIL 6-	8	8
26	26		1213686-00		CHASSIS SLIDE SET INCLUDED 1 L.H	2	2
27	27		3700436-10		PKG. CAB H9642/H9645/H9646	2	2
28	28		9006565-00		NUT,HEX EXT TOOTH LCKWSHR 10-32	2	2
29	29		7007006-03		JUMPER H724	2	2
30	30	C-IA-7008288-0-0	7008288-06		CABLE ASSY	2	2

REVISION HISTORY			BASIC PART NO: CI750		DRN:	P. MARCOTTE	DATE:	15-MAR-83	DIGIT A L			
ENG	ECO NUMBER	REV	SECTION B OF B		CHK'D:	FRANK HALLIDAY	DATE:	15-MAR-83	TITLE PARTS LIST			
			SECTION VARIATION INDEX				DATE:	15-MAR-83	CI750 UNIT ASSY			
---	INITIAL	A					DATE:	15-MAR-83	DOCUMENT NUMBER			
RM	CI750-TW001	B	[A]AA,AB,BA,BB,BC,BD,				DATE:	15-MAR-83	SIZE	CODE	NUMBER	REV
BM	CI750-TW002	C	CA,CB,FA,FB,HA,HB				DATE:	15-MAR-83	K	PL	CI750-0-DBP	D
RM	CI750-LTN03	D	[B]SA,SB		DES.ENG: BOB MONDOR		DATE:	15-MAR-83	RELEASE DATE: 07-MAY-85			
			[C]		RESP.ENG.: BOB MONDOR		DATE:	15-MAR-83				
			[D]		MFG.ENG.: B SMITH		DATE:	15-MAR-83				
			[E]		ASSEMBLY NUMBER:		TOP DOCUMENT NUMBER:		FILE NAME:		EDIT #	
			[F]		E-UA-CI750-0-DBU		E-UA-CI750-0-DBU		Z6524D.PLS		12	

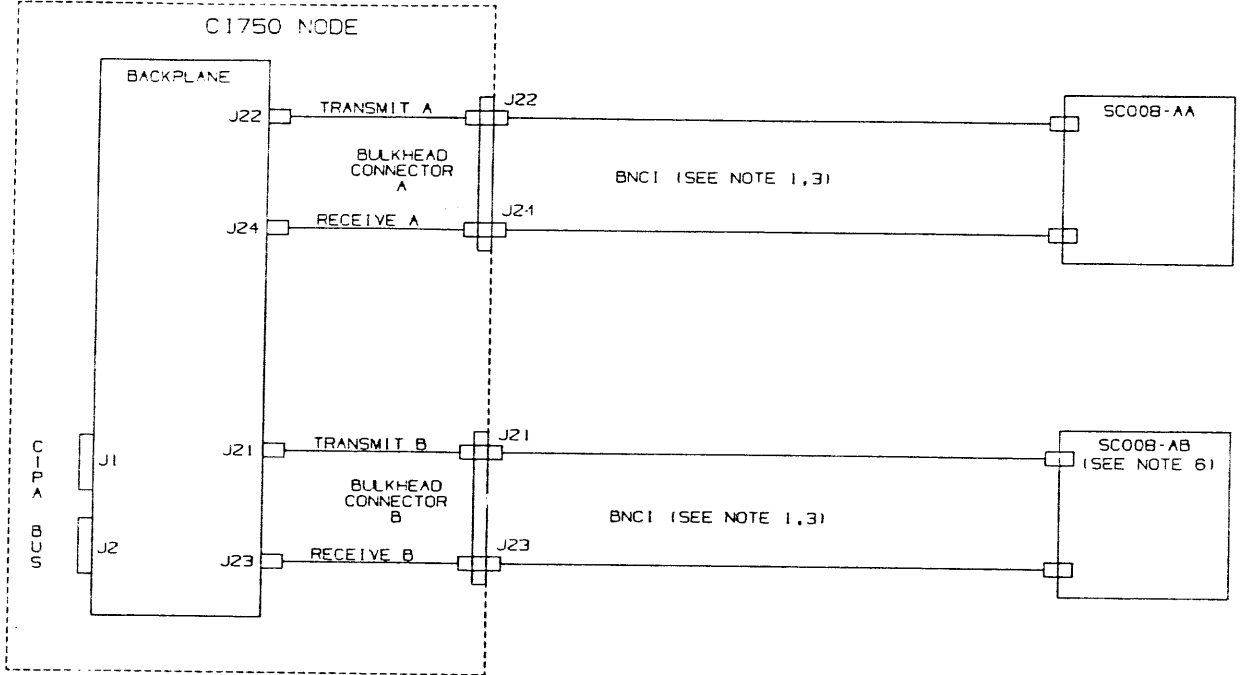
"THIS DRAWING AND THE SPECIFICATIONS CONTAINED HEREIN ARE CONFIDENTIAL AND PROPRIETARY. THEY ARE THE PROPERTY OF DIGITAL EQUIPMENT CORPORATION AND SHALL NOT BE REPRODUCED OR COPIED OR USED IN WHOLE OR IN PART AS THE BASIS FOR THE MANUFACTURE OR SALE OF ITEMS WITHOUT WRITTEN PERMISSION. THIS IS AN UNPUBLISHED WORK PROTECTED UNDER THE FEDERAL COPYRIGHT LAWS."

PARTS LIST

LINE	ITEM	TOP DOCUMENT	PART NUMBER	MIN REV	DESCRIPTION	VARIATION	
						SA	SB
31	31		3700731-01		*** THIS ITEM IS NOT USED ***	-	-
32	32	E-UA-SC008-AA-DBP	SC008-AC		SC008-AA + SC008-AB	1	1
33	33	K-PL-BNCIA-0-DBP	BNCIA-10		1 PAIR OF BNCI-10 (4 CABLES)	2	2
34	34		9009718-04		GROMMET,STRIP STYRENE	2	2
35	35		9009718-00		GROMMET,STRIP STYRENE	2	2
36	36		9007087-00		CLAMP,CABLE,SCREW MTD. 5/8 "	2	2
37	37		7016995-00		PALLET ASSY.	REF	REF
38	38		9010174-01		SCREW,SEMS PAN PHIL 8-	16	16
39	39	D-AD-7022192-0-DBU	7022192-01		*** THIS ITEM IS NOT USED ***	-	-
40	40	E-IA-7431233-0-DBU	7431233-01		*** THIS ITEM IS NOT USED ***	-	-
41	41	E-AD-7019794-0-DBU	7019794-00		*** THIS ITEM IS NOT USED ***	-	-
42	42	C-MD-7431439-0-DBU	7431439-01		*** THIS ITEM IS NOT USED ***	-	-
43	43	E-IA-7431440-0-DBU	7431440-01		*** THIS ITEM IS NOT USED ***	-	-
44	44	E-AD-7022193-0-DBU	7022193-01		*** THIS ITEM IS NOT USED ***	-	-
45	45		9010155-00		*** THIS ITEM IS NOT USED ***	-	-
46	46		9010253-00		*** THIS ITEM IS NOT USED ***	-	-
47	47		9009546-00		*** THIS ITEM IS NOT USED ***	-	-
48	48	A-PS-3624195-0-0	3624195-01		*** THIS ITEM IS NOT USED ***	-	-
49	49	A-PS-1215843-0-0	1215843-00		*** THIS ITEM IS NOT USED ***	-	-
50	50	K-PL-7022467-0-DBP	7022467-01		SHIPLIST CI750	1	1
51	51	B-MD-7432233-0-DBU	7432233-01		BRACKET,LOCKING	4	4
52	52		9006075-03		SCREW,MACH TRUSS PHIL 10-	4	4
53	53		9007651-00		WASHER,LOCK EXTERNAL STEEL	4	4
54	54		9007906-00		*** THIS ITEM IS NOT USED ***	-	-

D	I	G	I	T	A	L	TITLE	SECTION B OF B	SIZE	CODE	DOCUMENT NUMBER	REV
							CI750 UNIT ASSY		K	PL	CI750-0-DBP	D

THIS DRAWING AND SPECIFICATIONS, HEREINAFTER, ARE THE PROPERTY OF DIGITAL EQUIPMENT CORPORATION AND SHALL NOT BE REPRODUCED OR COPIED OR USED IN WHOLE OR IN PART AS THE BASIS FOR THE MANUFACTURE OF TABLES OF DATA BY OTHER WITHOUT PERMISSION.
COPYRIGHT © 1983 DIGITAL EQUIPMENT CORPORATION



- NOTES:
1. A BNCI CONSISTS OF TWO CABLES (1 TRANSMIT (TX), 1 RECEIVE (RX)).
 2. SYSTEM SHOWN IS DUAL PATH. BOTH SCOOB'S ARE MOUNTED IN THE SAME CABINET.
 3. BNC CABLE ID TAGS (36188081) ARE COMPLETED WITH NODE, PATH AND CLUSTER INFORMATION AT SYSTEM CONFIGURATION TIME.
 4. FOR VAX I/O PANEL CONNECTOR LOCATIONS SEE DRAWING E-UA-C1750.
 5. FOR STAR COUPLER CONNECTOR LOCATIONS SEE DRAWING E-UA-SCOOB.
 6. SCOOB-AB OPTION IS REQUIRED FOR DUAL PATH CONFIGURATION.

NODE	FROM C1750	TO SCOOB	DESCRIPTION
0	J22	T1A10	TRANSMIT PATH A
	J24	R1A10	RECEIVE PATH A
	J21	T1B10	TRANSMIT PATH B
	J23	R1B10	RECEIVE PATH B
1	J22	T1A11	SAME AS NODE 0
	J24	R1A11	
	J21	T1B11	
	J23	R1B11	
2	J22	T1A12	SAME AS NODE 0
	J24	R1A12	
	J21	T1B12	
	J23	R1B12	
3	J22	T1A13	SAME AS NODE 0
	J24	R1A13	
	J21	T1B13	
	J23	R1B13	
4	J22	T1A14	SAME AS NODE 0
	J24	R1A14	
	J21	T1B14	
	J23	R1B14	
5	J22	T1A15	SAME AS NODE 0
	J24	R1A15	
	J21	T1B15	
	J23	R1B15	
6	J22	T1A16	SAME AS NODE 0
	J24	R1A16	
	J21	T1B16	
	J23	R1B16	
7	J22	T1A17	SAME AS NODE 0
	J24	R1A17	
	J21	T1B17	
	J23	R1B17	

TABLE 1
8 NODE DUAL PATH INTERCONNECT TABLE

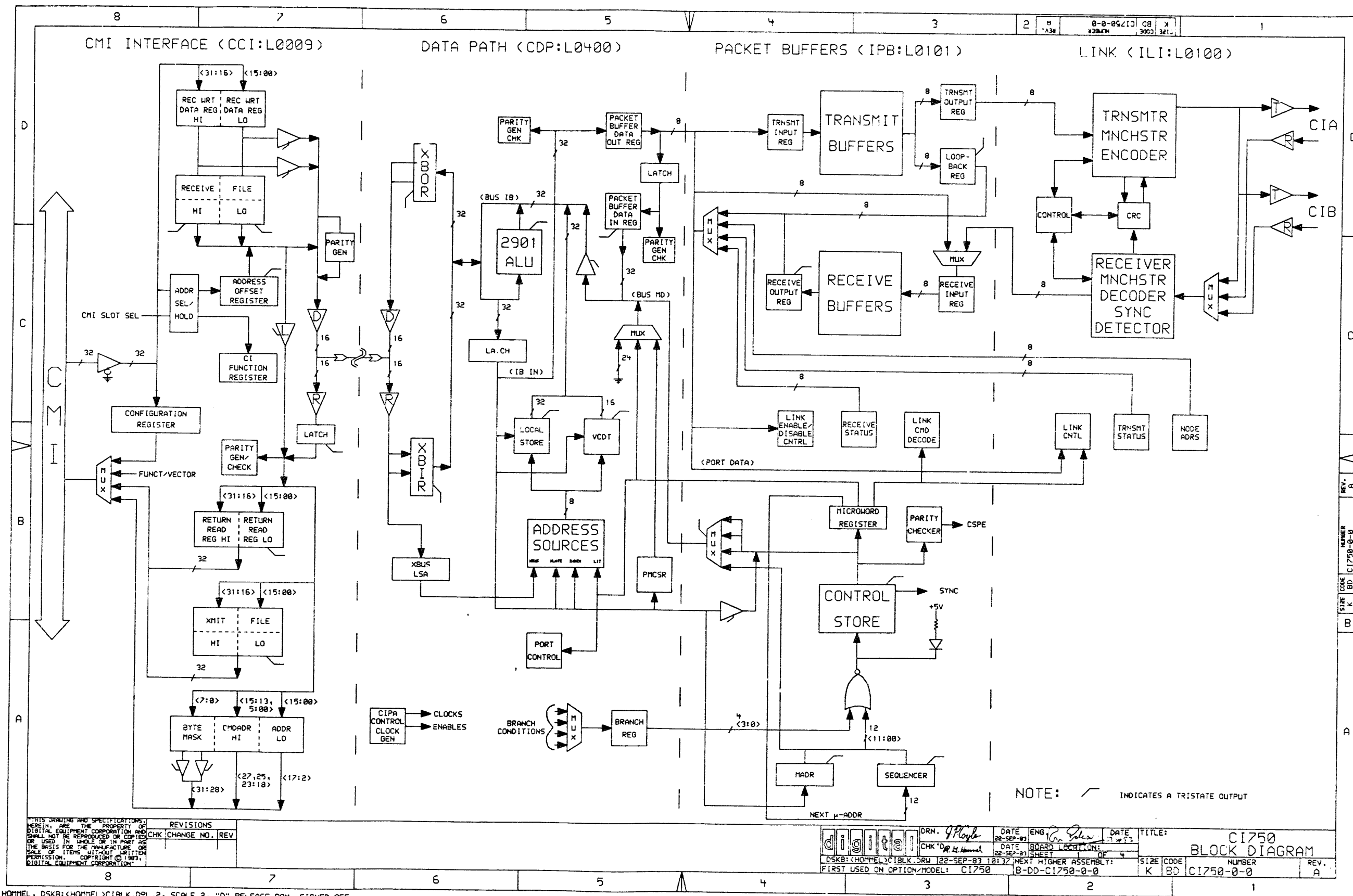
NODE	FROM C1750	TO SCOOB	DESCRIPTION
0-7	SAME AS TABLE 1		
8	J22	T1A18	TRANSMIT PATH A
	J24	R1A18	RECEIVE PATH A
	J21	T1B18	TRANSMIT PATH B
	J23	R1B18	RECEIVE PATH B
9	J22	T1A19	SAME AS NODE 8
	J24	R1A19	
	J21	T1B19	
	J23	R1B19	
10	J22	T1A110	SAME AS NODE 8
	J24	R1A110	
	J21	T1B110	
	J23	R1B110	
11	J22	T1A111	SAME AS NODE 8
	J24	R1A111	
	J21	T1B111	
	J23	R1B111	
12	J22	T1A112	SAME AS NODE 8
	J24	R1A112	
	J21	T1B112	
	J23	R1B112	
13	J22	T1A113	SAME AS NODE 8
	J24	R1A113	
	J21	T1B113	
	J23	R1B113	
14	J22	T1A114	SAME AS NODE 8
	J24	R1A114	
	J21	T1B114	
	J23	R1B114	
15	J22	T1A115	SAME AS NODE 8
	J24	R1A115	
	J21	T1B115	
	J23	R1B115	

TABLE 2
16 NODE DUAL PATH INTERCONNECT TABLE

PLOT AT: 1.00

REVISION HISTORY		
DATE	ECO HISTORY	REV

TITLE C1750 INTERCONNECT DIAGRAM
DOCUMENT NUMBER E1C1750-0-DBU2 C
SCALE NONE SHEET 2 OF 2



REVISIONS		
CHK	CHANGE NO.	REV

DRN. <i>J.P. Pyle</i>	DATE <i>22-SEP-83</i>	ENG. <i>C. J. Pyle</i>	DATE <i>22-SEP-83</i>	TITLE: C1750 BLOCK DIAGRAM
CHK'D <i>W. J. Howard</i>	DATE <i>22-SEP-83</i>	BOARD LOCATION: <i>1 OF 4</i>	SHEET <i>1 OF 4</i>	SIZE CODE: K BD C1750-0-0
DSKB: <HOMMEL>CIBLK.DRM	22-SEP-83 10:37	NEXT HIGHER ASSEMBLY: B-DD-C1750-0-0	NUMBER: C1750-0-0	REV. A
FIRST USED ON OPTION/MODEL: C1750				

NOTE:
1. X - 4.6.8.A.C.E

SEE NOTE
F3X000 (CNFR) CONFIGURATION

31	30	29	28	27	26	25	24	23	22	21	20	19	18	17	16	15	14	13	12	11	10	09	08	07	06	05	04	03	02	01	00
0	0	0	0	0	0	0	0	0	0	0	0	0	0	0	0	0	0	0	0	0	0	0	0	0	0	0	0	0	0	0	0
BIT FUNCTION									BIT FUNCTION									BIT FUNCTION													
31:24	RESERVED AND READ AS 0							18	RESERVED AND READ AS 0							12	NO CIPA														
27	ADAPTER POWER DOWN							17	UNCORRECTABLE DATA ERROR RESPONSE							11	RESERVED AND READ AS 0														
22	ADAPTER POWER UP							16	CORRECTED READ DATA							10	TRANSMIT ACLO														
21	RESERVED AND READ AS 0							15	CIPA PARITY ERROR							09	TRANSMIT DCLO														
20	NON EXISTENT MEMORY RESPONSE							14	DIAGNOSE							08	POWER FAIL DISABLE														
19	READ-LOCK TRANSFER TIME OUT							13	CIPA TIME OUT							07:00	ADAPTER CODE (38 HEX)														

F3X004 (PHCSR) PORT MAINTENANCE CONTROL AND STATUS

31	30	29	28	27	26	25	24	23	22	21	20	19	18	17	16	15	14	13	12	11	10	09	08	07	06	05	04	03	02	01	00					
0	0	0	0	0	0	0	0	0	0	0	0	0	0	0	0	0	0	0	0	0	0	0	0	0	0	0	0	0	0	0	0					
BIT FUNCTION									BIT FUNCTION									BIT FUNCTION																		
15	PARITY ERROR							09	OUTPUT PARITY ERROR							04	WRONG PARITY																			
14	CONTROL STORE PARITY ERROR							08	TRANSMIT BUFFER PARITY ERROR							03	MAINTENANCE INTERRUPT FLAG																			
13	LOCAL STORE PARITY ERROR							07	UNINITIALIZED STATE							02	MAINTENANCE INTERRUPT ENABLE																			
12	RECEIVE BUFFER PARITY ERROR							06	PROGRAMMABLE STARTING ADDRESS							01	MAINTENANCE TIMER DISABLE																			
11	TRANSMIT BUFFER PARITY ERROR							05	RESERVED							00	MAINTENANCE INITIALIZE																			
10	CIPA BUS PARITY ERROR																																			

F3X014 (MADR) MAINTENANCE ADDRESS

31	30	29	28	27	26	25	24	23	22	21	20	19	18	17	16	15	14	13	12	11	10	09	08	07	06	05	04	03	02	01	00					
0	0	0	0	0	0	0	0	0	0	0	0	0	0	0	0	0	0	0	0	0	MAINTENANCE CONTROL STORE ADDRESS <12:00>															

F3X018 (MDATR) MAINTENANCE DATA

31	30	29	28	27	26	25	24	23	22	21	20	19	18	17	16	15	14	13	12	11	10	09	08	07	06	05	04	03	02	01	00
MAINTENANCE CONTROL STORE DATA <31:00>																															

H F3X020 COMMAND/ADDRESS HI
CMD/ADDR HI (IN DIAGNOSE MODE ONLY)

31	30	29	28	27	26	25	24	23	22	21	20	19	18	17	16	15	14	13	12	11	10	09	08	07	06	05	04	03	02	01	00
F1	F0	F2	DON'T CARE							ADDR 23	ADDR 22	ADDR 21	ADDR 20	ADDR 19	ADDR 18	DON'T CARE															

H F3X024 ADDRESS LO REGISTER
ADDR LO (IN DIAGNOSE MODE ONLY)

31	30	29	28	27	26	25	24	23	22	21	20	19	18	17	16	15	14	13	12	11	10	09	08	07	06	05	04	03	02	01	00
DON'T CARE																ADDR 17	ADDR 16	ADDR 15	ADDR 14	ADDR 13	ADDR 12	ADDR 11	ADDR 10	ADDR 09	ADDR 08	ADDR 07	ADDR 06	ADDR 05	ADDR 04	ADDR 03	ADDR 02

H F3X02C BYTE MASK REGISTER
BYTE MASK (IN DIAGNOSE MODE ONLY)

31	30	29	28	27	26	25	24	23	22	21	20	19	18	17	16	15	14	13	12	11	10	09	08	07	06	05	04	03	02	01	00
DON'T CARE																							BM 7	BM 6	BM 5	BM 4	BM 3	BM 2	BM 1	BM 0	

R F3X020 } COMMAND ADDRESS
R F3X024 } (IN DIAGNOSE MODE ONLY)
R F3X02C }
CMDADR

31	30	29	28	27	26	25	24	23	22	21	20	19	18	17	16	15	14	13	12	11	10	09	08	07	06	05	04	03	02	01	00
BM 7 (4)	BM 6 (3)	BM 5 (2)	BM 4 (1)	F2	0	F0	0	ADDRESS BITS (23:02)																DON'T CARE							

REVISIONS	
CHK	CHANGE NO. REV

digital	DRN. R.L.Hommel	DATE 22-SEP-83	ENG. [Signature]	DATE [Signature]	TITLE: CI750 BLOCK DIAGRAM
	CHK. R.L.Hommel	DATE 22-SEP-83	BOARD LOCATION: [Signature]	SHEET 2 OF 4	SIZE CODE K B0
DSKB: <HOMMEL>CIREG3.DPL.1		NEXT HIGHER ASSEMBLY: B-DD-CI750-0-0		NUMBER CI750-0-0	REV. A
FIRST USED ON OPTION/MODEL: CI750					

CCI BACKPLANE PINNING
SLOTS (7, 8, OR 9) OF CPU BACKPLANE

BACKPLANE ROW A

(NOT USED)	A1	A2	+12 V
(NOT USED)	A3	A4	(NOT USED)
(NOT USED)	A5	A6	(NOT USED)
(NOT USED)	A7	A8	(NOT USED)
(NOT USED)	A9	A10	(NOT USED)
+2.5 V	A11	A12	(NOT USED)
(NOT USED)	A13	A14	(NOT USED)
(NOT USED)	A15	A16	(NOT USED)
(NOT USED)	A17	A18	(NOT USED)
(NOT USED)	A19	A20	+5.0 V
(NOT USED)	A21	A22	(NOT USED)
GND	A23	A24	GND
(NOT USED)	A25	A26	(NOT USED)
(NOT USED)	A27	A28	(NOT USED)
+2.5 V	A29	A30	(NOT USED)
(NOT USED)	A31	A32	(NOT USED)
(NOT USED)	A33	A34	(NOT USED)
(NOT USED)	A35	A36	(NOT USED)
(NOT USED)	A37	A38	+5.0 V
(NOT USED)	A39	A40	(NOT USED)
(NOT USED)	A41	A42	(NOT USED)
GND	A43	A44	GND
CMI SLOW ENA L	A45	A46	CMI SLOT SEL 2 H
+2.5 V	A47	A48	(NOT USED)
(NOT USED)	A49	A50	(NOT USED)
GND	A51	A52	GND
CMI SLOT SEL 0 H	A53	A54	CMI SLOT SEL 1 H
CMI ARB 5 L	A55	A56	(NOT USED)
ARB OUT [A] L	A57	A58	+5.0 V
CMI ARB 6 L	A59	A60	ARB IN 1 [A] L
ARB IN 0 [A] L	A61	A62	CMI ARB 3 L
CMI ARB 2 L	A63	A64	ARB OUT [A] L
+2.5 V	A65	A66	CMI ARB 1 L
UBUS BG4 [A] H	A67	A68	UBUS BG4 [A+1] H
UBUS BG5 [A] H	A69	A70	UBUS BG5 [A+1] H
GND	A71	A72	GND
UBUS BG6 [A] H	A73	A74	UBUS BG6 [A+1] H
(NOT USED)	A75	A76	+5.0 V
UBUS BG7 [A] H	A77	A78	UBUS BG7 [A+1] H
UBUS BR4 L	A79	A80	UBUS BR5 L
UBUS BR6 L	A81	A82	UBUS BR7 L
+2.5 V	A83	A84	CMI ARB 1 L
CMI ARB 2 L	A85	A86	CMI ARB 3 L
CMI ARB 4 L	A87	A88	CMI ARB 5 L
CMI ARB 6 L	A89	A90	CMI ARB 7 L
-15 V	A91	A92	CMI HOLD L
CMI WAIT L	A93	A94	-5.0 V

BACKPLANE ROW B

CMI DATA 0 H	B1	B2	+12.0 V
CMI DATA 1 H	B3	B4	CMI DATA 2 H
CMI DATA 3 H	B5	B6	CMI DATA 4 H
CMI DATA 5 H	B7	B8	CMI DATA 6 H
CMI DATA 7 H	B9	B10	CMI DATA 8 H
+2.5 V	B11	B12	CMI DATA 9 H
CMI DATA 10 H	B13	B14	CMI DATA 11 H
CMI DATA 12 H	B15	B16	CMI DATA 13 H
CMI DATA 14 H	B17	B18	CMI DATA 15 H
CMI DATA 16 H	B19	B20	+5.0 V
CMI DATA 17 H	B21	B22	CMI DATA 18 H
GND	B23	B24	GND
CMI DATA 19 H	B25	B26	CMI DATA 20 H
CMI DATA 21 H	B27	B28	CMI DATA 22 H
+2.5 V	B29	B30	CMI DATA 23 H
CMI DATA 24 H	B31	B32	CMI DATA 25 H
CMI DATA 26 H	B33	B34	CMI DATA 27 H
CMI DATA 28 H	B35	B36	CMI DATA 29 H
CMI DATA 30 H	B37	B38	+5.0 V
CMI DATA 31 H	B39	B40	CMI STATUS 00 L
CMI STATUS 01 L	B41	B42	CMI DBBZ L
GND	B43	B44	GND
DPH17 B CLK L	B45	B46	+5.0 V
+2.5 V	B47	B48	RCS12 CPU LB REG L
+2.5 V	B49	B50	+5.0 V
GND	B51	B52	GND
(NOT USED)	B53	B54	(NOT USED)
(NOT USED)	B55	B56	(NOT USED)
(NOT USED)	B57	B58	(NOT USED)
(NOT USED)	B59	B60	(NOT USED)
(NOT USED)	B61	B62	(NOT USED)
(NOT USED)	B63	B64	(NOT USED)
(NOT USED)	B65	B66	(NOT USED)
(NOT USED)	B67	B68	(NOT USED)
(NOT USED)	B69	B70	(NOT USED)
(NOT USED)	B71	B72	(NOT USED)
(NOT USED)	B73	B74	(NOT USED)
(NOT USED)	B75	B76	(NOT USED)
(NOT USED)	B77	B78	(NOT USED)
(NOT USED)	B79	B80	(NOT USED)
(NOT USED)	B81	B82	(NOT USED)
(NOT USED)	B83	B84	(NOT USED)
(NOT USED)	B85	B86	(NOT USED)
(NOT USED)	B87	B88	(NOT USED)
(NOT USED)	B89	B90	(NOT USED)
(NOT USED)	B91	B92	GND
(NOT USED)	B93	B94	-5.0 V
BUS 2 AVAILABLE H			

BACKPLANE ROW C

BUS 2 AV GRANT H	C1	C2	+12.0 V
CIPA RSVD A L	C3	C4	CIPA CABLE GND
CIPA CPU ACLO L	C5	C6	CIPA CABLE GND
CIPA DCLO L	C7	C8	CIPA CABLE GND
CIPA SET MSE L	C9	C10	CIPA CABLE GND
CIPA PARITY L	C11	C12	CIPA CABLE GND
CIPA MIN L	C13	C14	CIPA CABLE GND
CIPA ERROR L	C15	C16	CIPA CABLE GND
CIPA DATA 00 L	C17	C18	CIPA CABLE GND
CIPA DATA 09 L	C19	C20	CIPA CABLE GND
CIPA DATA 10 L	C21	C22	CIPA CABLE GND
CIPA DATA 11 L	C23	C24	CIPA CABLE GND
CIPA DATA 12 L	C25	C26	CIPA CABLE GND
CIPA DATA 13 L	C27	C28	CIPA CABLE GND
CIPA DATA 14 L	C29	C30	CIPA CABLE GND
CIPA DATA 15 L	C31	C32	CIPA CABLE GND
CIPA REG SEL 0 L	C33	C34	CIPA CABLE GND
CIPA REG SEL 1 L	C35	C36	CIPA CABLE GND
CIPA REG SEL 2 L	C37	C38	CIPA CABLE GND
CIPA REG SEL 3 L	C39	C40	CIPA CABLE GND
CIPA CLK L	C41	C42	GND
GND	C43	C44	GND
UBUS ACIO L	C45	C46	+5.0 V
+2.5 V	C47	C48	UBUS INIT L
+2.5 V	C49	C50	+5.0 V
GND	C51	C52	GND
CIPA RSVD B L	C53	C54	CIPA T ACLO L
CIPA CABLE GND	C55	C56	CIPA T DCLO L
CIPA CABLE GND	C57	C58	CIPA CIPA UP L
CIPA CABLE GND	C59	C60	CIPA DATA 00 L
CIPA CABLE GND	C61	C62	CIPA DATA 01 L
CIPA CABLE GND	C63	C64	CIPA DATA 02 L
CIPA CABLE GND	C65	C66	CIPA DATA 03 L
CIPA CABLE GND	C67	C68	CIPA DATA 04 L
CIPA CABLE GND	C69	C70	CIPA DATA 05 L
CIPA CABLE GND	C71	C72	CIPA DATA 06 L
CIPA CABLE GND	C73	C74	CIPA DATA 07 L
CIPA CABLE GND	C75	C76	CIPA READ L
CIPA CABLE GND	C77	C78	CIPA REQUEST L
CIPA CABLE GND	C79	C80	CIPA A DONE L
CIPA CABLE GND	C81	C82	CIPA B DONE L
CIPA CABLE GND	C83	C84	CIPA GRANT L
CIPA CABLE GND	C85	C86	CIPA PORT INT L
CIPA CABLE GND	C87	C88	CIPA B GO L
CIPA CABLE GND	C89	C90	CIPA A GO L
CIPA CABLE GND	C91	C92	GND
UBUS DCLO L	C93	C94	-5.0 V

CCI BACKPLANE PINNING

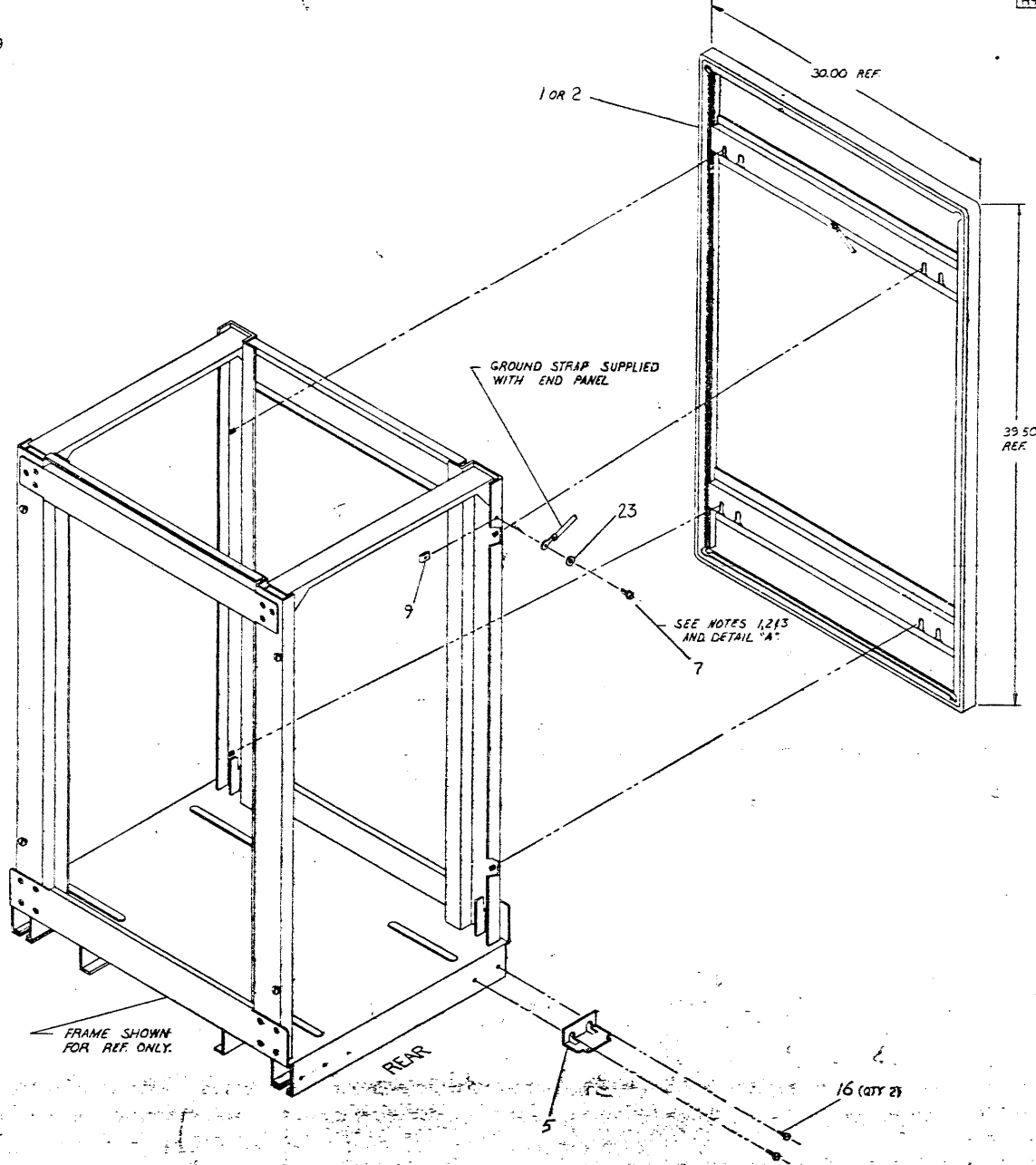
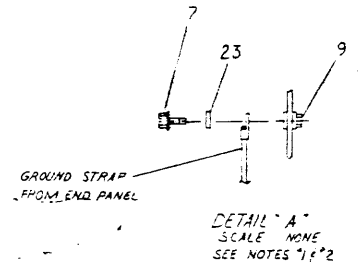
REV.	CHANGE NO.	REV.

digital	DRN: R.A. Hornum	DATE: 22-SEP-83	ENG: J. ...	DATE: ...	TITLE: C1750 BLOCK DIAGRAM
	CHK'D: R.A. Hornum	DATE: 22-SEP-83	BOARD LOCATION: ...	SHEET: 4 OF 4	SIZE: K BD
DSKB: HOMMEL/CIBAPI.DRW		22-SEP-83 18:33	NEXT HIGHER ASSEMBLY: B-DD-C1750-0-0	NUMBER: C1750-0-0	REV: A
FIRST USED ON OPTION/MODEL: C1750					

THIS DRAWING AND SPECIFICATIONS, HEREIN, ARE THE PROPERTY OF THE UNITED STATES GOVERNMENT AND ARE LOANED TO YOU BY THE NATIONAL BUREAU OF STANDARDS. IT IS TO BE USED ONLY FOR THE PURPOSES AUTHORIZED BY THE NATIONAL BUREAU OF STANDARDS. IT IS NOT TO BE REPRODUCED OR TRANSMITTED IN ANY FORM OR BY ANY MEANS, ELECTRONIC OR MECHANICAL, INCLUDING PHOTOCOPYING, RECORDING, OR BY ANY INFORMATION STORAGE AND RETRIEVAL SYSTEM, WITHOUT PERMISSION IN WRITING FROM THE NATIONAL BUREAU OF STANDARDS.

LEGEND	
NUMBER	VARIATION
H9544-AA	48 IN. PANEL DARK BROWN (SHEET 1)
H9544-AB	48 IN. PANEL LIGHT GRAY (SHEET 1)
H9544-AC	60 IN. PANEL DARK BROWN (SHEET 2)
H9544-AD	60 IN. PANEL LIGHT GRAY (SHEET 2)
H9544-AG	40 IN. PANEL DARK BROWN (SHEET 3)
H9544-AE	40 IN. PANEL INSERT SHIELDED (SHEET 4)
H9544-AH	40 IN. PANEL INSERT SHIELDED (SHEET 4)
H9544-AF	60 IN. PANEL INSERT SHIELDED (SHEET 6)

- NOTES:
1. WHEN ASSEMBLING GROUND STRAP TO UPRIGHT, USING SCREW (ITEM 7), NUT (ITEM 9) AND WASHER (ITEM 23) USE CLOSEST AVAILABLE HOLE.
 2. 27 INCH POUNDS OF TORQUE TO BE USED WHEN FASTENING SCREW (ITEM 7) TO CAB FOR GROUNDING. FOR OTHER TOP/DUE REQUIREMENTS REFER TO A-SP-7865323-9.
 3. GROUND STRAP NOT TO BE USED IN H9544-AE AND H9544-AH AND H9544-AF VARIATIONS.
 4. KEY BUTTONS ARE SUPPLIED WITH FRAME.



THIS CONFIGURATION IS FOR
H9544-AA & H9544-AB
(48 IN. VARIATIONS)

REV	DATE	BY	CHKD	DESCRIPTION
1				
2				
3				
4				
5				
6				
7				
8				
9				
10				
11				
12				
13				
14				
15				
16				
17				
18				
19				
20				
21				
22				
23				
24				
25				
26				
27				
28				
29				
30				

OFF SHEETS PARTS LIST REFER TO K-PL-H9544-A-DBP.

DESCRIPTION	QTY	UNIT	QTY	UNIT	QTY	UNIT	QTY	UNIT	QTY	UNIT
SCREW	1	EA	1	EA	1	EA	1	EA	1	EA
NUT	1	EA	1	EA	1	EA	1	EA	1	EA
WASHER	1	EA	1	EA	1	EA	1	EA	1	EA
GROUND STRAP	1	EA	1	EA	1	EA	1	EA	1	EA
FRAME	1	EA	1	EA	1	EA	1	EA	1	EA
END PANEL	1	EA	1	EA	1	EA	1	EA	1	EA
KEY BUTTON	1	EA	1	EA	1	EA	1	EA	1	EA

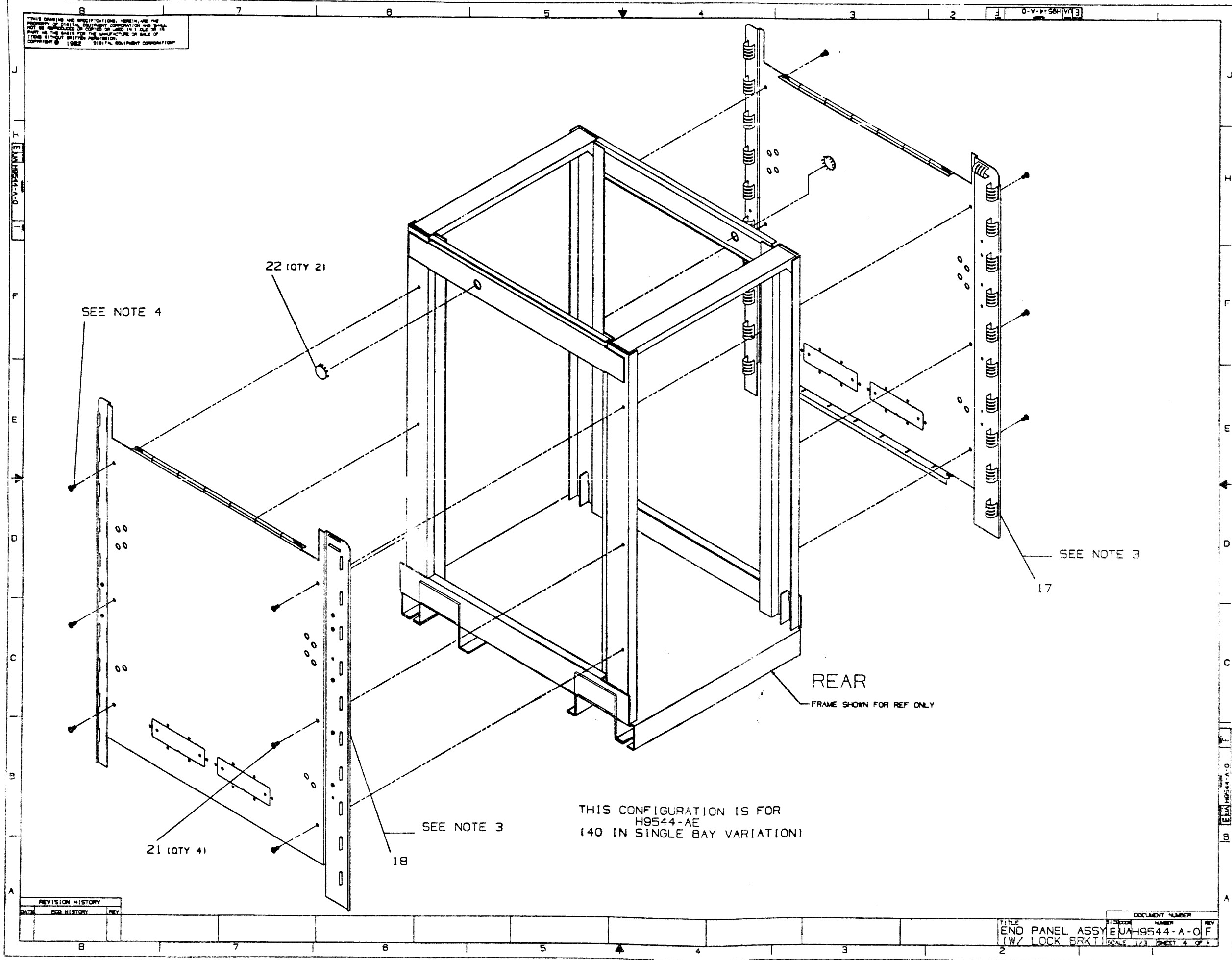
END PANEL ASSY (W/LOCK BRKT.)

SCALE: 1/4" = 1"

SHEET 1 OF 8

THIS DRAWING AND SPECIFICATIONS, HEREIN, ARE THE PROPERTY OF DIGITAL EQUIPMENT CORPORATION AND SHALL NOT BE REPRODUCED OR COPIED IN WHOLE OR IN PART, AS THE BASIS FOR THE MANUFACTURE OR SALE OF ITEMS WITHOUT WRITTEN PERMISSION. COPYRIGHT © 1982 DIGITAL EQUIPMENT CORPORATION

EUAH9544-A-0



SEE NOTE 4

22 (QTY 2)

SEE NOTE 3

17

REAR
FRAME SHOWN FOR REF ONLY

21 (QTY 4)

SEE NOTE 3

18

THIS CONFIGURATION IS FOR
H9544-AE
(40 IN SINGLE BAY VARIATION)

REVISION HISTORY		
DATE	REV. HISTORY	REV.

DOCUMENT NUMBER
EUAH9544-A-0
TITLE
END PANEL ASSY (W/ LOCK BRKT)
SCALE 1/3 SHEET 4 OF 6

PARTS LIST

LINE	ITEM	TOP DOCUMENT	PART NUMBER	MIN REV	DESCRIPTION	QTY PER VARIATION										
						AA	AB	AC	AD	AG	AE	AH	AF	F1		
1	1	E-AD-7016534-0-0	7016534-00		END PANEL ASSY	1	-	-	-	-	-	-	-	-	-	-
2	2	E-AD-7016534-0-0	7016534-01		PANEL ASSY,END	-	1	-	-	-	-	-	-	-	-	-
3	3	E-AD-7016699-0-0	7016699-00		END PANEL ASSY 60 INCH	-	-	1	-	-	-	-	-	-	-	-
4	4	E-AD-7016699-0-0	7016699-01		END PANEL ASSY 60IN LT GREY	-	-	-	1	-	-	-	-	-	-	-
5	5	C-MD-7422221-0-0	7422221-00		BRKT,DOOR HINGE/END PANEL LOCK	1	1	1	1	-	-	-	-	-	-	-
6	6	C-MD-7414318-0-0	7414318-00		*** THIS ITEM IS NOT USED ***	-	-	-	-	-	-	-	-	-	-	-
7	7		9010156-00		SCREW,SEMS HEX 10-	1	1	1	1	1	-	-	-	-	-	-
8	8		9007651-00		*** THIS ITEM IS NOT USED ***	-	-	-	-	-	-	-	-	-	-	-
9	9		9007786-00		RETAINER,U-NUT 10-32X	1	1	1	1	1	-	-	-	-	-	-
10	10		9006243-09		*** THIS ITEM IS NOT USED ***	-	-	-	-	-	-	-	-	-	-	-
11	11		9006676-00		WASHER,FLAT SST	-	-	-	-	0	-	-	-	-	-	-
12	12		9007797-00		*** THIS ITEM IS NOT USED ***	-	-	-	-	-	-	-	-	-	-	-
13	13		2200021-00		*** THIS ITEM IS NOT USED ***	-	-	-	-	-	-	-	-	-	-	-
14	14	D-IA-7019083-0-0	7019083-01		END PANEL ASSEMBLY (40 INCH)	-	-	-	-	1	-	-	-	-	-	-
15	15	D-IA-7019076-0-DBU	7019076-01		BRKT, DOOR HINGE/END PANEL LOCK	-	-	-	-	1	-	-	-	-	-	-
16	16		9009988-14		SCREW,SEMS HEX 1/4-	2	2	2	2	2	-	-	-	-	-	-
17	17	E-AD-7019799-0-DBU	7019799-00		INSERT, END PANEL ASSY. L.H.	-	-	-	-	-	1	-	-	-	-	-
18	18	E-AD-7019799-0-DBU	7019799-01		INSERT, END PANEL ASSY. R.H.	-	-	-	-	-	1	-	-	-	-	-
19	19	E-AD-7019773-0-DBU	7019773-00		INSERT, END PANEL ASSY.	-	-	-	-	-	-	1	-	-	-	-
20	20	E-AD-7019773-0-DBU	7019773-01		INSERT, END PANEL ASSY. R.H.	-	-	-	-	-	-	1	-	-	-	-
21	21		9009700-00		SCREW,SEMS TRUSS PHIL 10-	-	-	-	-	-	4	4	4	-	-	-
22	22		9007065-00		PLUG,BUTTON 1.000HOLE BRASS	-	-	-	-	-	2	2	2	-	-	-
23	23		9006664-00		WASHER,FLAT SST	1	1	1	1	1	-	-	-	-	-	-
24	24	E-AD-7020391-0-DBU	7020391-01		INSERT. 60 IN. PNL. ASSY (L.H.)	-	-	-	-	-	-	-	-	-	-	1
25	25	E-AD-7020391-0-DBU	7020391-02		INSERT 60 IN. PNL. ASSY (R.H.)	-	-	-	-	-	-	-	-	-	-	1

REVISION HISTORY			BASIC PART NO: H9544		DRN:	M. JOSEPH	DATE:	16-MAR-79				DIGITAL			
ENG	ECO NUMBER	REV	SECTION A	OF A	CHK'D:	S. ROBERTS	DATE:	16-MAR-79				TITLE PARTS LIST			
	INITIAL	*	SECTION VARIATION INDEX									END PANEL ASSY (W. LOCK BRKT)			
DS	H9544-A-ML001	A	[A]AA,AB,AC,AD,AG,AE,												
WR	H9544-A-ML002	B	AH,AF												
DB	H9642-B-ML008	C	[B]		DES,ENG:	W. F. MC CARTHY	DATE:	16-MAR-79				DOCUMENT NUMBER			
DB	H9544A-ML005	D	[C]									SIZE CODE NUMBER REV			
RC	H9544-A-LTN07	E	[D]		RESP,ENG.:	P. DUBE	DATE:	16-MAR-79				K PL H9544-A-DBP F			
DD	H9544-A-LTN08	F	[E]		MFG,ENG.:	R. CARRIER	DATE:	16-MAR-79				RELEASE DATE: 30-APR-84			
			[F]		ASSEMBLY NUMBER:	E-UA-H9544-A-0	TOP DOCUMENT NUMBER:	#B-DD-H9544-A				FILE NAME:	Z0236F.PLS		
												EDIT #:	15		

THIS DRAWING AND THE SPECIFICATIONS CONTAINED HEREIN ARE CONFIDENTIAL AND PROPRIETARY. THEY ARE THE PROPERTY OF DIGITAL EQUIPMENT CORPORATION AND SHALL NOT BE REPRODUCED OR COPIED OR USED IN WHOLE OR IN PART AS THE BASIS FOR THE MANUFACTURE OR SALE OF ITEMS WITHOUT WRITTEN PERMISSION. THIS IS AN UNPUBLISHED WORK PROTECTED UNDER THE FEDERAL COPYRIGHT LAWS.

AUTOMATED BY PRTLST,3J(25)

P A R T S L I S T

SHEET A2 OF A2

LINE ITEM TOP DOCUMENT

MIN
PART NUMBER REV DESCRIPTION

QTY PER VARIATION

VARIATION REVISION LEVEL:

AA AB AC AD AG AE AH AF
F1

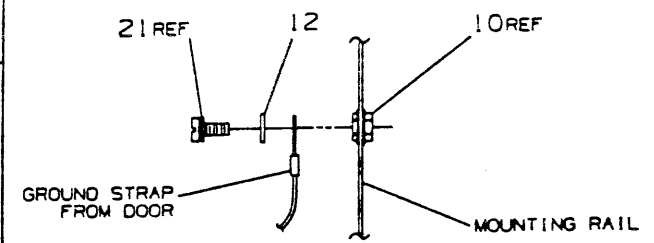
26 NOTE: 90 CLASS ITEMS SHOWN ABOVE ARE REQUIRED FOR ASSEMBLY, BUT ARE NOT
27 NOTE: SHIPPED AS PART OF ASSEMBLY KIT.

D I G I T A L	TITLE	END PANEL ASSY (W. LOCK BRKT)	SECTION A OF A	SIZE	CODE	DOCUMENT NUMBER	REV
				K	PL	H9544-A-DBF	F

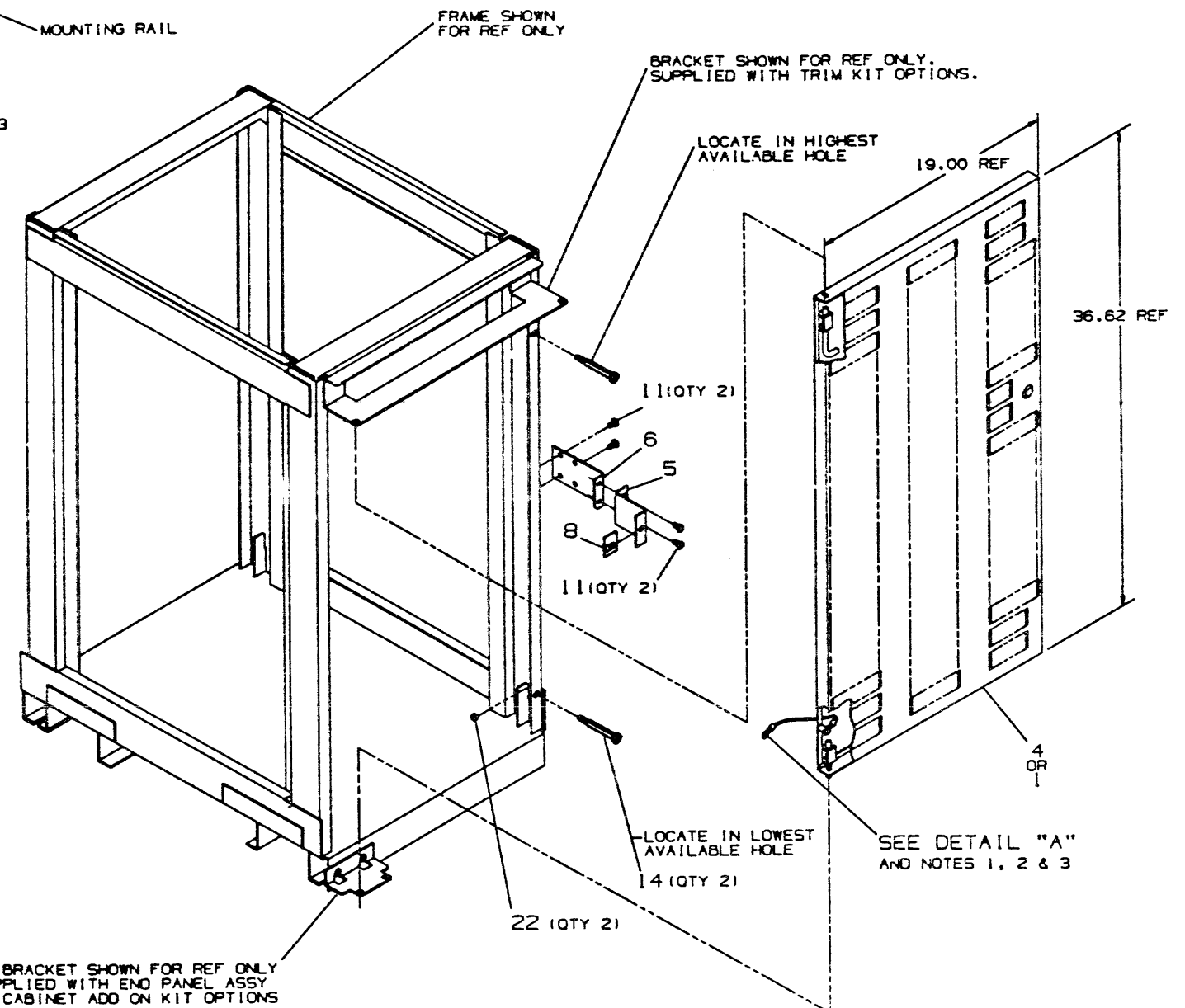
THIS DRAWING AND SPECIFICATIONS, WHETHER THE PROPERTY OF DIGITAL EQUIPMENT CORPORATION OR NOT, ARE HEREBY LOANED TO YOU BY DIGITAL EQUIPMENT CORPORATION FOR THE PURPOSE OF MANUFACTURING OR ASSEMBLING THE EQUIPMENT SPECIFIED HEREON. IT IS NOT TO BE REPRODUCED OR TRANSMITTED IN ANY FORM OR BY ANY MEANS, ELECTRONIC OR MECHANICAL, INCLUDING PHOTOCOPYING, RECORDING, OR BY ANY INFORMATION STORAGE AND RETRIEVAL SYSTEM, WITHOUT THE WRITTEN PERMISSION OF DIGITAL EQUIPMENT CORPORATION. COPYRIGHT © 1982 DIGITAL EQUIPMENT CORPORATION

LEGEND		
PART NO.	REV	VARIATION
H9544-BA	K2	SINGLE BAY 40 INCH (SEE SHEET 1)
H9544-BB	K2	SINGLE BAY 60 INCH (SEE SHEET 2)
H9544-BC	K2	1/2 BAY 40 INCH (SEE SHEET THREE)
H9544-BD	K2	H9544-BA WITHOUT FILTER (SEE SHEET 1)
H9544-BE	K2	11/750 DOOR (SEE SHEET 4)
H9544-BK	K2	SINGLE BAY 40 INCH (SEE SHEET 5)
H9544-BM	K2	SINGLE BAY 40 INCH (SEE SHEET 6)
H9544-BF	K2	SINGLE BAY 40 INCH SHIELDED (SEE SHEET 7)
H9544-BH	K2	1/2 BAY COVER (SEE SHEET 8)
H9544-BJ	K2	11/750 SHIELDED DOOR (SEE SHEET 9)
H9544-BN	A1	SINGLE BAY 60 INCH SHIELDED (SEE SHEET 10)
H9544-BS	A1	SINGLE BAY 60 INCH SHIELDED (SEE SHEET 11)
H9544-BP	A1	1/2 BAY 60 INCH COVER (SEE SHEET 12)
H9544-BX	A1	SINGLE BAY 40 INCH SHIELD (SEE SHEET 13)

- NOTES:
- ATTACH SAFETY GROUND STRAP TO CABINET FRAME MOUNTING RAIL IN NEAREST AVAILABLE MOUNTING RAIL HOLE PER DETAIL "A".
 - 27 INCH POUNDS OF TORQUE TO BE USED WHEN FASTENING GROUND STRAP TO MOUNTING RAIL; SEE DETAIL "A". FOR OTHER TORQUE REQUIREMENTS REFER TO A-SP-7665328-0-0.
 - GROUND STRAP NOT TO BE USED ON H9544-BF, H9544-BH, H9544-BJ, H9544-BN, H9544-BS, H9544-BP AND H9544-BX VARIATIONS.
 - TAPE ITEM #39 TO INSIDE OF DOOR FOR SHIPPING.



DETAIL "A"
SCALE: 1/1
SEE NOTES 1, 2 & 3



LAYER 1: WORK LAYER (SH 1)
LAYER 2: FORMAT LAYER (SH 1)

PLOT AT 1.00

CAUTION: OFF SHEET PARTS LIST
SEE K-PL-H9544-B-DBP.
(20237)

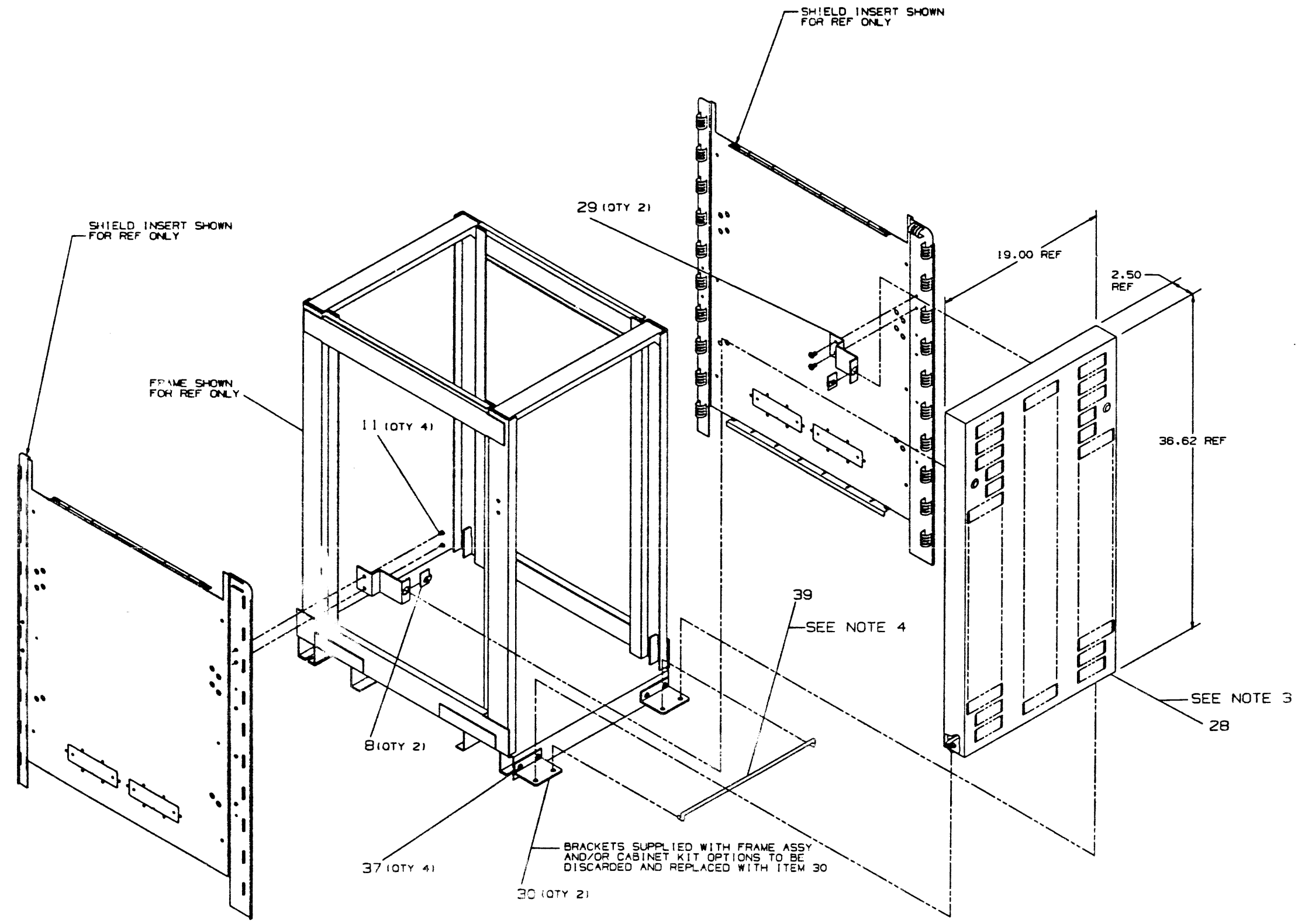
THIS CONFIGURATION FOR
H9544-BA & BO
(40 INCH SINGLE BAY VARIATION)

REV	DATE	BY	CHKD	DESCRIPTION
1				
2				
3				
4				
5				
6				
7				
8				
9				
10				
11				
12				
13				
14				
15				
16				
17				
18				
19				
20				
21				
22				
23				
24				
25				
26				
27				
28				
29				
30				

DESCRIPTION		DRAWING NO.	PART NO.
UNLESS OTHERWISE SPECIFIED DIMENSIONS ARE IN INCHES AND THE FOLLOWING TOLERANCES APPLY (PER DEC STD 114)			
DIMENSION RANGE IN INCHES			
0 - 1.00	±0.005	1.00 - 2.00	±0.005
2.00 - 3.00	±0.005	3.00 - 4.00	±0.005
4.00 - 6.00	±0.005	6.00 - 10.00	±0.005
10.00 - 20.00	±0.005	20.00 - 30.00	±0.005
30.00 - 40.00	±0.005	40.00 - 50.00	±0.005
50.00 - 60.00	±0.005	60.00 - 70.00	±0.005
70.00 - 80.00	±0.005	80.00 - 90.00	±0.005
90.00 - 100.00	±0.005		
DATE		TIME	
KEN DAVAN 19JAN79			
S. ROBERTS 23MAR79			
W. MC CARTHY 21MAR79			
P. DUBE 14MAR79			
R. CARRIER 27MAR79			
MATERIAL		DOC. NO.	
SEE K-PL		EUA	H9544-B-DBU L

THIS DRAWING AND SPECIFICATIONS, HEREIN, ARE THE PROPERTY OF DIGITAL EQUIPMENT CORPORATION. NO AND SHALL NOT BE REPRODUCED OR COPIED IN WHOLE OR IN PART, NOR BE THE BASIS FOR THE MANUFACTURE OR SALE OF THIS PRODUCT, WITHOUT PERMISSION IN WRITING FROM DIGITAL EQUIPMENT CORPORATION. COPYRIGHT © 1982 DIGITAL EQUIPMENT CORPORATION

J
I
H
G
F
E
D
C
B
A



THIS CONFIGURATION FOR
H9544-BF
(140 INCH SINGLE BAY VARIATION)

LAYER 1: WORK LAYER (SH 7)
LAYER 2: FORMAT LAYER (SH 7)
PLOT AT 1.00

REVISION HISTORY		
DATE	EDG HISTORY	REV

TITLE H9544-B
REAR DOOR

DOCUMENT NUMBER			
REV	NUMBER	DATE	BY
E	UA	H9544-B-DBU	L

SCALE NONE SHEET 7 OF 13

J
I
H
G
F
E
D
C
B
A

AUTOMATED BY PRTLST.3J(25)

PARTS LIST

SHEET A1 OF A2

LINE	ITEM	TOP DOCUMENT	PART NUMBER	MIN REV	DESCRIPTION	QTY PER VARIATION												
						BA	BB	BC	BD	BE	BK	BM	BF	BH	BJ	BN	BS	
1	1	E-AD-7016533-0-0	7016533-00		DOOR ASSY,REAR(SINGLE BAY,40INCH	1	-	-	-	-	-	1	-	-	-	-	-	
2	2	E-AD-7016695-0-0	7016695-00		DOOR ASSY REAR(SINGLE BAY,60")	-	1	-	-	-	-	-	-	-	-	-	-	
3	3	E-AD-7016697-0-0	7016697-00		DOOR ASSY REAR(1 1/2 BAY 40")	-	-	1	-	-	-	-	-	-	-	-	-	
4	4	E-AD-7016533-0-0	7016533-01		DOOR ASSY REAR(REAR DOOR W/O FIL	-	-	-	1	-	-	-	-	-	-	-	-	
5	5	C-MD-7422222-0-0	7422222-00		BRACKET,DOOR LOCK	1	1	1	1	1	-	1	-	-	-	-	-	
6	6	C-IA-7422267-0-0	7422267-00		BRKT,DOOR LOCK MTG	1	-	1	1	1	-	-	-	-	-	-	-	
7	7		4700045-00		*** THIS ITEM IS NOT USED ***	-	-	-	-	-	-	-	-	-	-	-	-	
8	8		1212972-02		SPRING,RECEPTACLE 1.04 WDX1.5	1	1	1	1	1	2	1	2	1	-	2	2	
9	9		9007651-00		*** THIS ITEM IS NOT USED ***	-	-	-	-	-	-	-	-	-	-	-	-	
10	10		9007786-00		RETAINER,U-NUT 10-32X	1	1	1	1	3	1	1	-	-	-	-	-	
11	11		9009700-00		SCREW,SEMS TRUSS PHIL 10-	4	4	4	4	6	8	4	4	3	-	4	4	
12	12		9006664-00		WASHER,FLAT SST	-	-	-	-	-	1	1	-	-	-	-	-	
13	13		9007906-00		*** THIS ITEM IS NOT USED ***	-	-	-	-	-	-	-	-	-	-	-	-	
14	14	B-AD-7016703-0-0	7016703-00		STOP DOOR (REAR)	2	2	2	2	2	-	-	-	-	-	-	-	
15	15	D-AD-7016632-0-0	7016632-00		DOOR ASSY REAR(1 1/2 BAY)	-	-	-	-	1	-	-	-	-	-	-	-	
16	16	C-MD-7422272-0-0	7422272-01		PIVOT BRKT BOTTOM REAR DOOR L.H.	-	-	-	-	1	-	-	-	-	-	-	-	
17	17		2200024-00		*** THIS ITEM IS NOT USED ***	-	-	-	-	-	-	-	-	-	-	-	-	
18	18		2200024-01		*** THIS ITEM IS NOT USED ***	-	-	-	-	-	-	-	-	-	-	-	-	
19	19		9009005-00		NUT,HEX 10-32X .255AF SS/N	-	-	-	-	2	-	-	-	-	-	-	-	
20	20	C-IA-7424014-0-0	7424014-00		BRKT, DOORLOCK MTG	-	1	-	-	-	-	-	-	-	-	-	-	
21	21		9010156-00		SCREW,SEMS HEX 10-	1	1	1	1	1	1	1	-	-	-	-	-	
22	22		9006565-00		NUT,HEX EXT TOOTH LCKWSHR 10-32	2	2	2	2	2	-	2	-	-	-	-	-	
23	23	E-IA-7019166-0-DBU	7019166-01		DOOR, REAR ASSY. SINGLE BAY 40"	-	-	-	-	-	1	-	-	-	-	-	-	
24	24	C-IA-7426710-0-DBU	7426710-01		BRACKET,DOOR LOCK,MTG	-	-	-	-	-	2	-	-	-	-	-	-	
25	25	C-MD-7426711-0-DBU	7426711-01		BRACKET,DOOR LOCK	-	-	-	-	-	2	-	-	-	-	-	-	
26	26	C-IA-7426256-0-DBU	7426256-01		BRACKET, DOOR LOCK MOUNTING	-	-	-	-	-	-	1	-	-	-	-	-	
27	27	C-AD-7019088-0-0	7019088-01		STOP DOOR	-	-	-	-	-	-	2	-	-	-	-	-	
28	28	E-AD-7019792-0-DBU	7019792-00		DOOR, REAR ASSY	-	-	-	-	-	-	-	1	-	-	-	-	
29	29	C-MD-7427386-0-DBU	7427386-01		BRACKET,REAR DOOR LOCK	-	-	-	-	-	-	-	2	-	-	2	2	
30	30	C-MD-7427921-0-DBU	7427921-01		BRACKET,REAR DOOR HINGE	-	-	-	-	-	-	-	2	-	-	-	-	

REVISION HISTORY			BASIC PART NO: H9544			DRN: K. DAVAN		DATE: 13-MAR-79		D I G I T A L			
ENG	ECO NUMBER	REV	SECTION A OF B		CHK'D:	S. ROBERTS	DATE:	13-MAR-79	TITLE PARTS LIST				
---	INITIAL	*	SECTION VARIATION INDEX						H9544-B REAR DOOR				
DS	H9544-B-MLO01	A	[A]BA, BB, BC, BD, BE, BK,		DES.ENG:	W. F. MC CARTHY	DATE:	13-MAR-79	DOCUMENT NUMBER				
DS	H9646-AC-MLO01	B	BM, BF, BH, BJ, BN, BS						SIZE	CODE	NUMBER	REV	
WR	H9544-B-MLO02	C	[B]BP, BX		RESP.ENG.:	R. BELLIVEAU	DATE:	13-MAR-79	K	PL	H9544-B-DBP	L	
WR	H9544-B-MLO03	D	[C]		MFG.ENG.:	J. SOUZA	DATE:	13-MAR-79	RELEASE DATE: 02-MAY-85				
RB	H9544-B-MLO05	E	[D]		ASSEMBLY NUMBER:	E-UA-H9544-B-DBU	TOP DOCUMENT NUMBER:	#B-DD-H9544-B	FILE NAME:		Z0237L.PLS	EDIT #	
DB	H9642-B-MLO08	F	[E]									4	
DB	H9544-B-MLO06	H	[F]										
RC	H9544-B-LTN07	J											
RC	H9544-B-LTN08	K											
DD	H9544-B-LTN09	L											

"THIS DRAWING AND THE SPECIFICATIONS CONTAINED HEREIN ARE CONFIDENTIAL AND PROPRIETARY. THEY ARE THE PROPERTY OF DIGITAL EQUIPMENT CORPORATION AND SHALL NOT BE REPRODUCED OR COPIED OR USED IN WHOLE OR IN PART AS THE BASIS FOR THE MANUFACTURE OR SALE OF ITEMS WITHOUT WRITTEN PERMISSION. THIS IS AN UNPUBLISHED WORK PROTECTED UNDER THE FEDERAL COPYRIGHT LAWS."

AUTOMATED BY PRTLST.3J(25)

PARTS LIST

SHEET A2 OF A2

LINE	ITEM	TOP DOCUMENT	PART NUMBER	MIN REV	DESCRIPTION	QTY PER VARIATION														
						BA	BB	BC	BD	BE	BK	BM	BF	BH	BJ	BN	BS			
					VARIATION REVISION LEVEL:															
31	31	D-AD-7019793-0-DBU	7019793-00		COVER, REAR 1/2 BAY ASSY	-	-	-	-	-	-	-	-	-	-	1	-	-	-	-
32	32	C-IA-7427966-0-DBU	7427966-01		BRACKET, DOOR LOCK	-	-	-	-	-	-	-	-	-	-	1	-	-	-	-
33	33	D-IA-7427465-0-DBU	7427465-01		BRACKET, DOOR SUPPORT 1/2 BAY	-	-	-	-	-	-	-	-	-	-	1	-	-	-	-
34	34	C-IA-7427463-0-DBU	7427463-01		BAR, CABLE DRESS	-	-	-	-	-	-	-	-	-	-	1	-	-	-	-
35	35	E-AD-7019770-0-DBP	7019770-00		DOOR, REAR ASSY	-	-	-	-	-	-	-	-	-	-	-	1	-	-	-
36	36	E-AD-7019769-0-DBU	7019769-00		BRACKET ASSY, BOTTOM REAR DOOR	-	-	-	-	-	-	-	-	-	-	-	1	1	-	-
37	37		9009988-14		SCREW, SEMS HEX SLOT 1/4-	-	-	-	-	-	-	-	-	4	2	4	4	4	4	
38	38		9006241-09		SCREW, MACH HEX PLN 1/4-	-	-	-	-	-	-	-	-	-	-	1	-	-	-	
39	39	C-MD-7428543-0-DBU	7428543-01		ROD, REAR CABLE #3	-	-	-	-	-	-	-	-	1	-	-	-	-	1	
40	40	E-AD-7020399-0-DBU	7020399-01		DOOR REAR ASSY	-	-	-	-	-	-	-	-	-	-	-	-	1	-	
41	41	E-AD-7020399-0-DBU	7020399-02		DOOR REAR ASSY W/CUTOUT	-	-	-	-	-	-	-	-	-	-	-	-	-	1	
42	42	D-IA-7020402-0-DBU	7020402-01		*** THIS ITEM IS NOT USED ***	-	-	-	-	-	-	-	-	-	-	-	-	-	-	
43	43	C-MD-7429304-0-DBU	7429304-01		BRACKET, REAR DOOR, HINGE	-	-	-	-	-	-	-	-	-	-	-	-	-	2	

44 NOTE: 90 CLASS ITEMS SHOWN ABOVE ARE REQUIRED FOR ASSEMBLY,
 45 NOTE: BUT ARE NOT SHIPPED AS PART OF THE ASSEMBLY

D	I	G	I	T	A	L	TITLE	H9544-B REAR DOOR	SECTION A	OF B	SIZE	CODE	DOCUMENT NUMBER	REV
											K	PL	H9544-B-DBP	L

LINE	ITEM	TOP DOCUMENT	PART NUMBER	MIN REV	DESCRIPTION	QTY PER VARIATION	
						BP L1	BX L1
1	1	E-AD-7016533-0-0	7016533-00		*** THIS ITEM IS NOT USED ***	-	-
2	2	E-AD-7016695-0-0	7016695-00		*** THIS ITEM IS NOT USED ***	-	-
3	3	E-AD-7016697-0-0	7016697-00		*** THIS ITEM IS NOT USED ***	-	-
4	4	E-AD-7016533-0-0	7016533-01		*** THIS ITEM IS NOT USED ***	-	-
5	5	C-MD-7422222-0-0	7422222-00		*** THIS ITEM IS NOT USED ***	-	-
6	6	C-IA-7422267-0-0	7422267-00		*** THIS ITEM IS NOT USED ***	-	-
7	7		4700045-00		*** THIS ITEM IS NOT USED ***	-	-
8	8		1212972-02		SPRING, RECEPTACLE 1.04 WDX1.5	1	2
9	9		9007651-00		*** THIS ITEM IS NOT USED ***	-	-
10	10		9007786-00		*** THIS ITEM IS NOT USED ***	-	-
11	11		9009700-00		SCREW, SEMS TRUSS PHIL 10-	3	4
12	12		9006664-00		*** THIS ITEM IS NOT USED ***	-	-
13	13		9007906-00		*** THIS ITEM IS NOT USED ***	-	-
14	14	B-AD-7016703-0-0	7016703-00		*** THIS ITEM IS NOT USED ***	-	-
15	15	D-AD-7016632-0-0	7016632-00		*** THIS ITEM IS NOT USED ***	-	-
16	16	C-MD-7422272-0-0	7422272-01		*** THIS ITEM IS NOT USED ***	-	-
17	17		2200024-00		*** THIS ITEM IS NOT USED ***	-	-
18	18		2200024-01		*** THIS ITEM IS NOT USED ***	-	-
19	19		9009005-00		*** THIS ITEM IS NOT USED ***	-	-
20	20	C-IA-7424014-0-0	7424014-00		*** THIS ITEM IS NOT USED ***	-	-
21	21		9010156-00		*** THIS ITEM IS NOT USED ***	-	-
22	22		9006565-00		*** THIS ITEM IS NOT USED ***	-	-
23	23	E-IA-7019166-0-DBU	7019166-01		*** THIS ITEM IS NOT USED ***	-	-
24	24	C-IA-7426710-0-DBU	7426710-01		*** THIS ITEM IS NOT USED ***	-	-
25	25	C-MD-7426711-0-DBU	7426711-01		*** THIS ITEM IS NOT USED ***	-	-
26	26	C-IA-7426256-0-DBU	7426256-01		*** THIS ITEM IS NOT USED ***	-	-
27	27	C-AD-7019088-0-0	7019088-01		*** THIS ITEM IS NOT USED ***	-	-
28	28	E-AD-7019792-0-DBU	7019792-00		*** THIS ITEM IS NOT USED ***	-	-
29	29	C-MD-7427386-0-DBU	7427386-01		BRACKET, REAR DOOR LOCK	-	2
30	30	C-MD-7427921-0-DBU	7427921-01		*** THIS ITEM IS NOT USED ***	-	-

REVISION HISTORY			BASIC PART NO: H9544		DRN: K. DAVAN		DATE: 13-MAR-79		DIGITAL	
ENG	ECO NUMBER	REV	SECTION B OF B	CHK'D:	S. ROBERTS	DATE:	13-MAR-79	TITLE	PARTS LIST	
---	INITIAL	*	SECTION VARIATION INDEX	DES. ENG:	W. F. MC CARTHY	DATE:	13-MAR-79	H9544-B REAR DOOR		
!DS	!H9544-B-ML001	!A	! (A) BA, BB, BC, BD, BE, BK,							
!DS	!H9646-AC-ML001	!B	! BM, BF, BH, BJ, BN, BS							
!WR	!H9544-B-ML002	!C	! (B) BP, BX							
!W.R	!H9544-B-ML003	!D								
!RB	!H9544-B-ML005	!E	! (C)							
!DB	!H9642-B-ML008	!F								
!DB	!H9544-B-ML006	!H	! (D)							
!RC	!H9544-B-LTN07	!J								
!RC	!H9544-B-LTN08	!K	! (E)							
!DD	!H9544-B-LTN09	!L								
			! (F)							
				! ASSEMBLY NUMBER:		! TOP DOCUMENT NUMBER:		! FILE NAME:		! EDIT #
				! E-UA-H9544-B-DBU		! #B-DD-H9544-B		! Z0237L.PLS		! 4

"THIS DRAWING AND THE SPECIFICATIONS CONTAINED HEREIN ARE CONFIDENTIAL AND PROPRIETARY. THEY ARE THE PROPERTY OF DIGITAL EQUIPMENT CORPORATION AND SHALL NOT BE REPRODUCED OR COPIED OR USED IN WHOLE OR IN PART AS THE BASIS FOR THE MANUFACTURE OR SALE OF ITEMS WITHOUT WRITTEN PERMISSION. THIS IS AN UNPUBLISHED WORK PROTECTED UNDER THE FEDERAL COPYRIGHT LAWS."

LINE	ITEM	TOP DOCUMENT	PART NUMBER	MIN REV	DESCRIPTION	QTY PER VARIATION	
						BP	BX
					VARIATION REVISION LEVEL:	L1	L1
31	31	D-AD-7019793-0-DBU	7019793-00		*** THIS ITEM IS NOT USED ***	-	-
32	32	C-IA-7427966-0-DBU	7427966-01		*** THIS ITEM IS NOT USED ***	-	-
33	33	D-IA-7427465-0-DBU	7427465-01		BRACKET, DOOR SUPPORT 1/2 BAY	1	-
34	34	C-IA-7427463-0-DBU	7427463-01		BAR, CABLE DRESS	1	-
35	35	E-AD-7019770-0-DBP	7019770-00		DOOR, REAR ASSY	1	1
36	36	E-AD-7019769-0-DBU	7019769-00		BRACKET ASSY, BOTTOM REAR DOOR	-	1
37	37		9009988-14		SCREW, SEMS HEX SLOT 1/4-	2	4
38	38		9006241-09		SCREW, MACH HEX PLN 1/4-	1	-
39	39	C-MD-7428543-0-DBU	7428543-01		*** THIS ITEM IS NOT USED ***	-	-
40	40	E-AD-7020399-0-DBU	7020399-01		*** THIS ITEM IS NOT USED ***	-	-
41	41	E-AD-7020399-0-DBU	7020399-02		*** THIS ITEM IS NOT USED ***	-	-
42	42	D-IA-7020402-0-DBU	7020402-01		COVER REAR 1/2 BAY ASSY	1	-
43	43	C-MD-7429304-0-DBU	7429304-01		*** THIS ITEM IS NOT USED ***	-	-

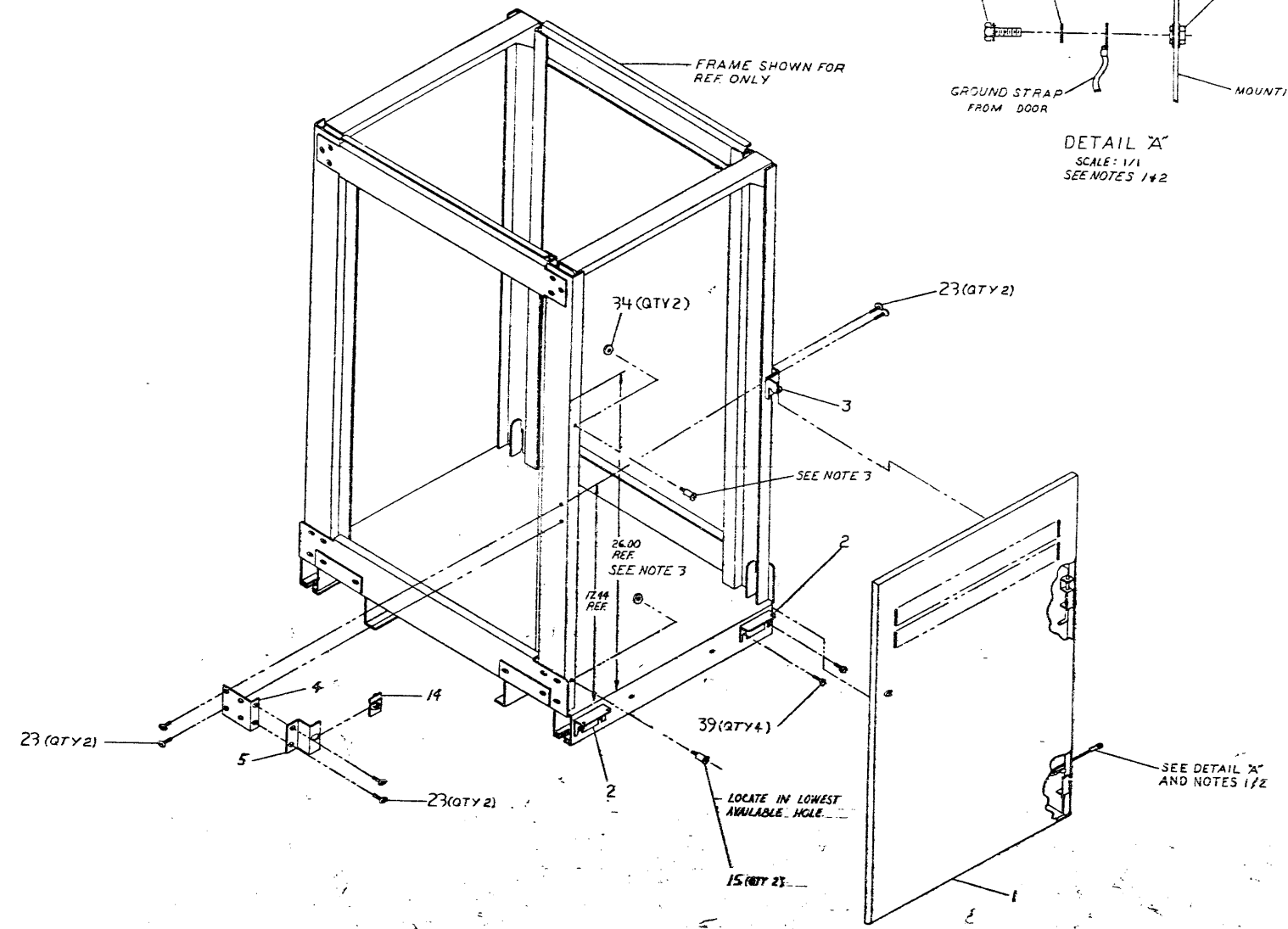
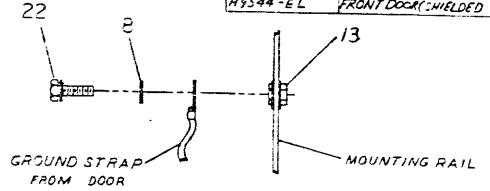
44 NOTE: 90 CLASS ITEMS SHOWN ABOVE ARE REQUIRED FOR ASSEMBLY,
 45 NOTE: BUT ARE NOT SHIPPED AS PART OF THE ASSEMBLY

D	I	G	I	T	A	L	TITLE	H9544-B REAR DOOR	SECTION B OF B	SIZE	CODE	DOCUMENT NUMBER	REV
										K	PL	H9544-B-DBP	L

THIS DRAWING AND SPECIFICATION ARE THE PROPERTY OF AEGIS. UNLESS OTHERWISE SPECIFIED, ALL DIMENSIONS ARE IN INCHES. DIMENSIONS IN PARENTHESES ARE FOR REFERENCE ONLY. THIS DRAWING IS UNCLASSIFIED DATE 07/19/99 BY 60322/UC/BAW

LEGEND	
NUMBER	VARIATION
H9544-EA	FRONT DOOR (SINGLE BAY) (SHEET 3)
H9544-EB	FRONT DOOR (SINGLE BAY) (SHEET 1)
H9544-EE	FRONT DOOR (COMET) (SHEET 2)
H9544-EK	FRONT DOOR (COMET) (SHEET 4)
H9544-EG	FRONT DOOR (SHIELDED SINGLE BAY) (SHEET 5)
H9544-EJ	FRONT DOOR (SHIELDED COMET) (SHEET 6)
H9544-EH	FRONT DOOR (SHIELDED FULL) (SHEET 7)
H9544-EM	FRONT DOOR (SHIELDED IB.75) (SHEET 8)
H9544-EL	FRONT DOOR (SHIELDED KERHEL) (SHEET 9)

- NOTES:
1. ATTACH SAFETY GROUND STRAP TO THE CABINET FRAME MOUNTING RAIL IN NEAREST AVAILABLE MOUNTING RAIL HOLE PER DETAIL 'A'.
 2. 27 INCH POUNDS OF TORQUE TO BE USED WHEN FASTENING ITEM 22 TO MOUNTING RAIL. FOR OTHER TORQUE REQUIREMENTS REFER TO A-5P-7445328-0-0.
 3. LOCATE IN HIGHEST AVAILABLE HOLE BELOW 2.5 INCHES FROM TOP OF MOUNTING RAIL. ITEMS 23 AND 24 ARE SHOWN FOR REFERENCE ONLY.
 4. HOLE LOCATIONS ARE FROM TOP OF MOUNTING RAILS. (SHEET 4)
 5. POSITION ITEM 31 ON ITEM 23 AS SHOWN (SHEET 4)

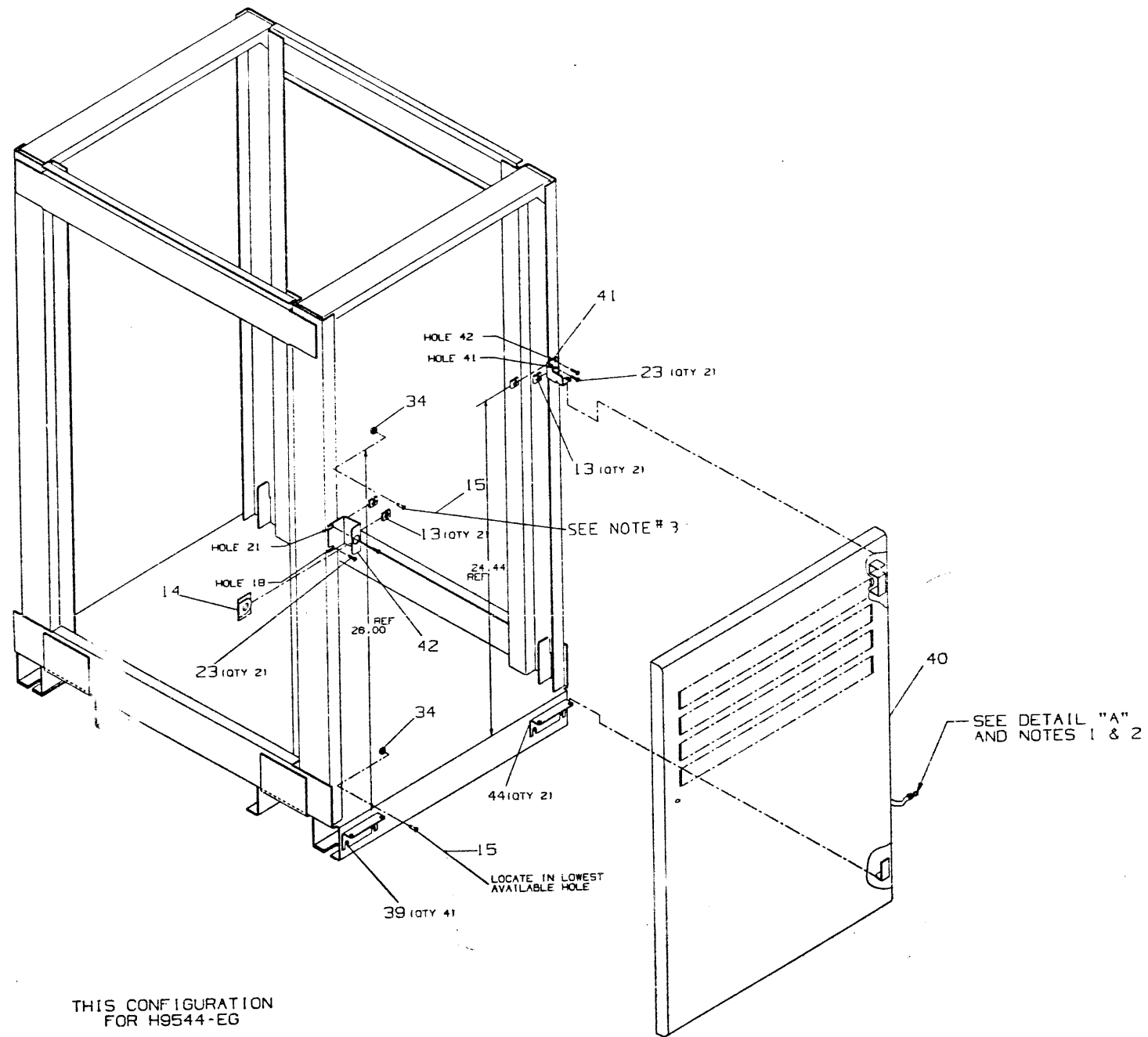


THIS CONFIGURATION FOR H9544-EB

REV	DESCRIPTION	DATE
1	ISSUED FOR CONSTRUCTION	11/17/94
2	REVISED TO ADD DIMENSIONS	12/15/94
3	REVISED TO ADD DIMENSIONS	12/15/94
4	REVISED TO ADD DIMENSIONS	12/15/94
5	REVISED TO ADD DIMENSIONS	12/15/94
6	REVISED TO ADD DIMENSIONS	12/15/94
7	REVISED TO ADD DIMENSIONS	12/15/94
8	REVISED TO ADD DIMENSIONS	12/15/94
9	REVISED TO ADD DIMENSIONS	12/15/94
10	REVISED TO ADD DIMENSIONS	12/15/94
11	REVISED TO ADD DIMENSIONS	12/15/94
12	REVISED TO ADD DIMENSIONS	12/15/94
13	REVISED TO ADD DIMENSIONS	12/15/94
14	REVISED TO ADD DIMENSIONS	12/15/94
15	REVISED TO ADD DIMENSIONS	12/15/94
16	REVISED TO ADD DIMENSIONS	12/15/94
17	REVISED TO ADD DIMENSIONS	12/15/94
18	REVISED TO ADD DIMENSIONS	12/15/94
19	REVISED TO ADD DIMENSIONS	12/15/94
20	REVISED TO ADD DIMENSIONS	12/15/94
21	REVISED TO ADD DIMENSIONS	12/15/94
22	REVISED TO ADD DIMENSIONS	12/15/94
23	REVISED TO ADD DIMENSIONS	12/15/94
24	REVISED TO ADD DIMENSIONS	12/15/94
25	REVISED TO ADD DIMENSIONS	12/15/94
26	REVISED TO ADD DIMENSIONS	12/15/94
27	REVISED TO ADD DIMENSIONS	12/15/94
28	REVISED TO ADD DIMENSIONS	12/15/94
29	REVISED TO ADD DIMENSIONS	12/15/94
30	REVISED TO ADD DIMENSIONS	12/15/94
31	REVISED TO ADD DIMENSIONS	12/15/94
32	REVISED TO ADD DIMENSIONS	12/15/94
33	REVISED TO ADD DIMENSIONS	12/15/94
34	REVISED TO ADD DIMENSIONS	12/15/94
35	REVISED TO ADD DIMENSIONS	12/15/94
36	REVISED TO ADD DIMENSIONS	12/15/94
37	REVISED TO ADD DIMENSIONS	12/15/94
38	REVISED TO ADD DIMENSIONS	12/15/94
39	REVISED TO ADD DIMENSIONS	12/15/94
40	REVISED TO ADD DIMENSIONS	12/15/94
41	REVISED TO ADD DIMENSIONS	12/15/94
42	REVISED TO ADD DIMENSIONS	12/15/94
43	REVISED TO ADD DIMENSIONS	12/15/94
44	REVISED TO ADD DIMENSIONS	12/15/94
45	REVISED TO ADD DIMENSIONS	12/15/94
46	REVISED TO ADD DIMENSIONS	12/15/94
47	REVISED TO ADD DIMENSIONS	12/15/94
48	REVISED TO ADD DIMENSIONS	12/15/94
49	REVISED TO ADD DIMENSIONS	12/15/94
50	REVISED TO ADD DIMENSIONS	12/15/94

OFF SHEET PARTS LIST REFER TO K-P-H9544-E-DBP	
DESCRIPTION	QTY
ITEM 22	1
ITEM 23	2
ITEM 34	2
ITEM 39	4
ITEM 15	2
ITEM 14	4
ITEM 2	2
ITEM 3	2
ITEM 1	1

THIS DRAWING AND SPECIFICATIONS, HEREIN, ARE THE PROPERTY OF DIGITAL EQUIPMENT CORPORATION AND SHALL NOT BE REPRODUCED OR COPIED IN WHOLE OR IN PART, OR THE SAME, FOR THE MANUFACTURE OR SALE OF ITEMS WITHOUT WRITTEN PERMISSION. DIGITAL EQUIPMENT CORPORATION, 1982.



THIS CONFIGURATION
FOR H9544-EG

REVISION HISTORY		
DATE	REV. HISTORY	REV.

TITLE		DOCUMENT NUMBER	
H9544-E-FRONT DOOR KIT ASSY		EUA H9544-E-0	F
SCALE 1/8"		SHEET 3 OF 9	

ML 1

LINE	ITEM	DOCUMENT NUMBER	PART NUMBER	DESCRIPTION	QUANTITY PER VARIATION									
					EB	EE	EA	EK	EG	EJ	EH	EM	EL	
1	1	D-AD-7016562-0-0	7016562-00	FRONT DOOR ASSY	1	-	-	-	-	-	-	-	-	-
2	2	C-MD-7422262-0-0	7422262-00	BRACKET,FRONT DOOR PIVOT	2	-	-	-	-	-	-	-	-	-
3	3	C-MD-7422264-0-0	7422264-00	BRKT, TOP PIVOT	1	-	-	-	-	-	-	-	-	-
4	4	C-IA-7422267-0-0	7422267-00	BRKT,DOOR LOCK MTG	1	-	1	1	-	-	-	-	-	-
5	5	C-MD-7422222-0-0	7422222-00	BRACKET,DOOR LOCK	1	-	1	1	-	-	-	-	-	-
6	6		9006074-01	*** THIS ITEM IS NOT USED ***	-	-	-	-	-	-	-	-	-	-
7	7		9007906-00	WASHER,HELICAL SPLIT STEEL	2	2	2	2	-	-	-	-	-	-
8	8		9006664-00	WASHER,FLAT SST	-	-	-	-	1	1	1	1	-	-
9	9		9006243-09	SCREW,MACH HEX PLN 1/4-	4	-	4	-	-	-	-	-	-	-
10	10		9007797-00	WASHER,HELICAL SPLIT SST	4	-	4	-	-	-	-	-	-	-
11	11		9006676-00	*** THIS ITEM IS NOT USED ***	-	-	-	-	-	-	-	-	-	-
12	12		9007651-00	WASHER,LOCK EXTERNAL STEEL	1	1	1	-	-	-	-	-	-	-
13	13		9007786-00	RETAINER,U-NUT 10-32X	3	7	5	7	5	3	1	5	-	-
14	14		1212972-02	SPRING,RECEPTACLE 1.04 WDX1.5	1	-	1	1	1	-	1	2	1	-
15	15	B-AD-7016703-0-0	7016703-02	STOP DOOR 1.62	2	-	2	2	2	-	2	-	-	-
16	16	B-AD-7016703-0-0	7016703-01	STOP, DOOR .88	-	2	-	-	-	2	-	-	-	-
17	17	E-AD-7016631-0-0	7016631-00	DOOR ASSY,FRONT (1 1/2 BAY)	-	1	-	-	-	-	-	-	-	-
18	18	C-MD-7422278-0-0	7422278-00	BRKT,HINGE (FRONT DOOR TOP) R.H.	-	1	-	-	-	-	-	-	-	-
19	19	C-MD-7422278-0-0	7422278-01	BRKT HINGE FRONT DOOR TOP	-	1	-	-	-	-	-	-	-	-
20	20		2200027-00	*** THIS ITEM IS NOT USED ***	-	-	-	-	-	-	-	-	-	-
21	21		2200027-01	*** THIS ITEM IS NOT USED ***	-	-	-	-	-	-	-	-	-	-
22	22		9010156-00	SCREW,SEMS HEX 10-	1	1	1	1	1	1	1	-	-	-
23	23		9009700-00	SCREW,SEMS TRUSS PHIL 10-	6	4	6	8	4	2	-	4	2	-
24	24	D-AD-7018554-0-0	7018554-01	DOOR ASSY, FRONT	-	-	1	-	-	-	-	-	-	-
25	25	D-MD-7425876-0-0	7425876-00	BRACKET,DOOR SUPPORT	-	-	1	-	-	-	-	-	-	-
26	26	C-MD-7425881-0-0	7425881-00	BRACKET,DOOR HINGE & END PANEL L	-	-	1	-	-	-	-	-	-	-
27	27	E-UA-7019542-0-0	7019542-00	DOOR ASSY, FRONT	-	-	-	1	-	-	-	-	-	-
28	28	C-MD-7426785-0-0	7426785-01	BRACKET,DOOR,PIVOT TOP	-	-	-	1	-	-	-	-	-	-
29	29	C-MD-7426784-0-0	7426784-01	BRACKET,DOOR,PIVOT BOTTOM	-	-	-	1	-	-	-	-	-	-
30	30	D-MD-7426783-0-0	7426783-01	STRIP,TRIM,FRONT DOOR	-	-	-	1	-	-	-	-	-	-

REVISION HISTORY			BASIC PART NO: H9544			DRN: KEN DAVAN			DATE: 04-APR-79			D I G I T A L		
ENG	ECO NUMBER	REV	SECTION A OF A			CHK'D: S. ROBERTS			DATE: 04-APR-79			TITLE PARTS LIST		
	INITIAL	*	SECTION. VARIATION INDEX			DES.ENG.: R. BELLIVEAU			DATE: 04-APR-79			H9544-E FRONT DOOR		
DS	H9544E-ML001	A	[A] EB,EE,EA,EK,EG,EJ, EH,EM,EL			RESP.ENG.: R. BELLIVEAU			DATE: 04-APR-79			DOCUMENT NUMBER		
R.B	H9544-E-ML003	B	[B]			MFG.ENG.: J. SOUZA			DATE: 04-APR-79			SIZE:CODE: NUMBER REV		
E.R	H9544-E-ML004	C	[C]			ASSEMBLY NUMBER:			TOP DOCUMENT NUMBER:			FILE NAME: EDIT #		
DB	H9544-E-ML005	D	[D]			E-UA-H9544-0-0			#8-DD-H9544-E			Z0239F.PLS 4		
R.B	H9544-E-ML006	E	[E]											
RC	H9544-E-LTN07	F	[F]											

"THIS DRAWING AND SPECIFICATIONS HEREIN, ARE THE PROPERTY OF DIGITAL EQUIPMENT CORPORATION AND SHALL NOT BE REPRODUCED OR COPIED OR USED IN WHOLE OR IN PART AS THE BASIS FOR THE MANUFACTURE OR SALE OF ITEMS WITHOUT WRITTEN PERMISSION. COPYRIGHT (C) 1983. DIGITAL EQUIPMENT CORPORATION "

AUTOMATED BY PRTLST.3K(26)

PARTS LIST

SHEET A2 OF A2

LINE	ITEM	DOCUMENT NUMBER	PART NUMBER	DESCRIPTION	QUANTITY PER VARIATION								
					EB	EE	EA	EK	EG	EJ	EH	EM	EL
31	31	D-MD-7427144-0-0	7427144-01	FOAM,TAPE (REWORK)	-	-	-	1	-	-	-	-	-
32	32		9009949-00	WASHER,FLAT STEEL	-	-	-	10	-	-	-	-	-
33	33		9006560-00	NUT,HEX EXT TOOTH LCKWSHR 6-32	-	-	-	10	-	-	-	-	-
34	34		9006565-00	NUT,HEX EXT TOOTH LCKWSHR 10-32	-	-	-	4	2	2	2	-	-
35	35	E-IA-7427752-0-DBU	7427752-01	BEZEL,TU8X	-	-	-	1	-	-	-	-	-
36	36	E-AD-7019805-0-DBU	7019805-00	DOOR, FRONT 1 1/2 BAY ASSY	-	-	-	-	-	1	-	-	-
37	37	B-MD-7427475-0-DBU	7427475-01	BRACKET,FRONT DOOR PIVOT COMET	-	-	-	-	-	2	-	-	-
38	38	C-MD-7427473-0-DBU	7427473-01	BRACKET, TOP FRONT DOOR(COMET FC	-	-	-	-	-	1	-	-	-
39	39		9009988-14	SCREW,SEMS HEX SLOT 1/4-	4	-	4	-	4	4	4	4	2
40	40	E-AD-7019751-0-DBU	7019751-00	FRONT DOOR ASSY SNG BAY	-	-	-	-	1	-	-	-	-
41	41	C-MD-7427340-0-DBU	7427340-01	BRACKET,DOOR TOP PIVOT	-	-	-	-	1	-	-	-	-
42	42	B-MD-7427339-0-DBU	7427339-01	BRACKET,DOOR LOCK	-	-	-	-	1	-	-	2	-
43	43	E-AD-7019949-0-DBU	7019949-00	DOOR, FRONT 1/3 BAY KIT ASSY.	-	-	-	-	-	-	-	1	-
44	44	C-MD-7427949-0-DBU	7427949-01	BRACKET,FRONT DOOR PIVOT	-	-	-	-	2	-	2	2	-
45	45	C-MD-7428076-0-DBU	7428076-01	BRACKET,DOOR LOCK	-	-	-	-	-	-	1	-	-
46	46	E-AD-7019761-0-DBU	7019761-00	DOOR, FRONT ASSY.	-	-	-	-	-	-	1	-	-
47	47		9010437-01	SCREW,MACH FLAT PHIL 10-	-	-	-	-	-	-	2	-	-
48	48	E-AD-7019812-0-DBU	7019812-00	DOOR FRONT 1/2 BAY ASSY.	-	-	-	-	-	-	-	-	1
49	49	C-MD-7427488-0-DBU	7427488-01	BRKT DOOR LOCK 1/2 BAY	-	-	-	-	-	-	-	-	1
50	50	D-MD-7427489-0-DBU	7427489-01	DOOR PIVOT BRKT 1/2 BAY	-	-	-	-	-	-	-	-	1

51 NOTE: 90-CLASS ITEMS SHOWN ABOVE ARE REQUIRED FOR ASSEMBLY, BUT ARE NOT SHIPPED
 52 NOTE: AS PART OF THE ASSEMBLY KIT.

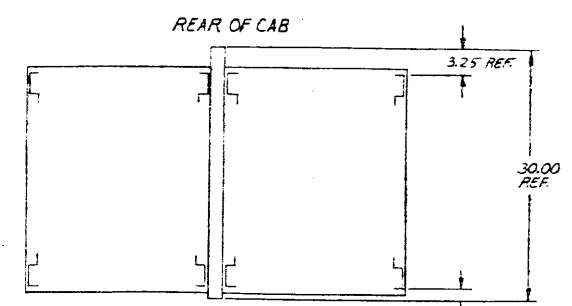
D	I	G	I	T	A	L	TITLE	H9544-E FRONT DOOR	SECTION A OF A	SIZE	CODE	DOCUMENT NUMBER	REV
CHK	HH	43								K	PL	H9544-E-DBP	F

7 6 5 4 3 2 1

THESE ARE PROVISIONAL DIMENSIONS OF THE CABINET. A COMPLETE LIST OF DIMENSIONS IS GIVEN IN SHEET 1 OF THIS DRAWING. SEE SHEET 1 OF THIS DRAWING FOR DIMENSIONS OF THE CABINET. © 1979

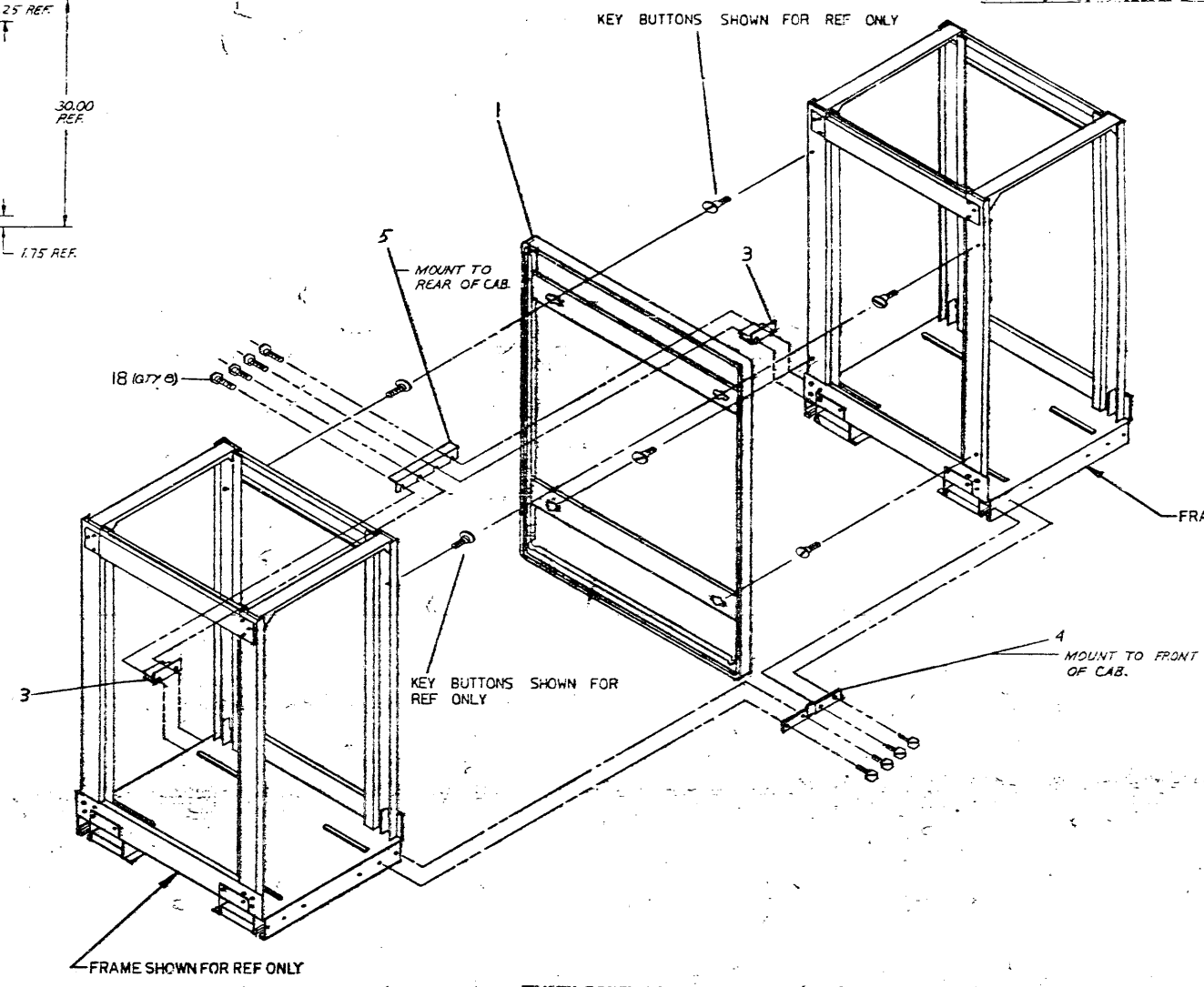
NUMBER	VARIATION
H9544-JA	40 INCH ROLL FORM (SHEET 1)
H9544-JC	60 INCH ROLL FORM (SHEET 2)
H9544-JD	40 7/8" CONVERSION (SHEET 3)
H9544-JH	40" ROLL FORM (SHEET 4)
H9544-JE	40" SHIELDED EXPNS KIT (SHEET 5)
H9544-JF	60" SHIELDED EXPNS KIT (SHEET 6)

- NOTES:
- THE HARDWARE USED FOR MOUNTING ITEM NO. 4 (LOCKING BRACKET), IS SUPPLIED WITH OTHER OPTIONS AND IS SHOWN FOR REFERENCE ONLY.
 - ITEMS 1 THROUGH 5 AND 18 ARE FOR REFERENCE ONLY.
 - FOR TORQUE REQUIREMENTS REFER TO ASP-744-5328-0-0.
 - WHEN ASSEMBLING GROUND STRAP TO UPRIGHT USING SCREW (ITEM 11) LOCK WASHER (ITEM 12) WASHER (ITEM 23) AND WASHER (ITEM 23) USE CLOSEST AVAILABLE HOLE.
 - PROCEDURE FOR SHIELDED EXPANSION:
 - TWO CABLE FEED BRACKETS (ITEM #21) ARE SUPPLIED FOR MAXIMUM CABLE FEED THROUGH UTILIZATION. USE ONLY BRACKET/BRACKETS NEEDED FOR OPTIMUM CABLE FEED THROUGH.
 - SELECT KNOCKOUT PANEL/PANELS REQUIRED FOR INTERCONNECT CABLING.
 - KNOCKOUT PANEL/PANELS NEEDED.
 - INSTALL CABLE FEED BRACKET / BRACKETS (ITEM #21) ON ONE INSERT PANEL.
 - HANG ROLL FORM ASSEMBLY (ITEM #20) ON ONE CABINET.
 - ENGAGE SECOND CABINET ONTO ROLLFORM ASSEMBLY.
 - SLIDE ROLLFORM ASSEMBLY DOWN TO JOIN THE TWO CABINETS TOGETHER.
 - ADD SECOND SET OF SCREWS (ITEM #22) THROUGH INSIDE OF SECOND CABINET.
 - ATTACH FRONT AND REAR LOCKING BRACKETS (ITEM 4 & ITEM 5).



FRONT OF CAB
TOP VIEW OF INTERMEDIATE END PANEL MOUNTED BETWEEN TWO CABINETS. SHOWN FOR REF. ONLY. THIS IS COMMON FOR JA, JC + JD VARIATION ONLY

1.75 REF



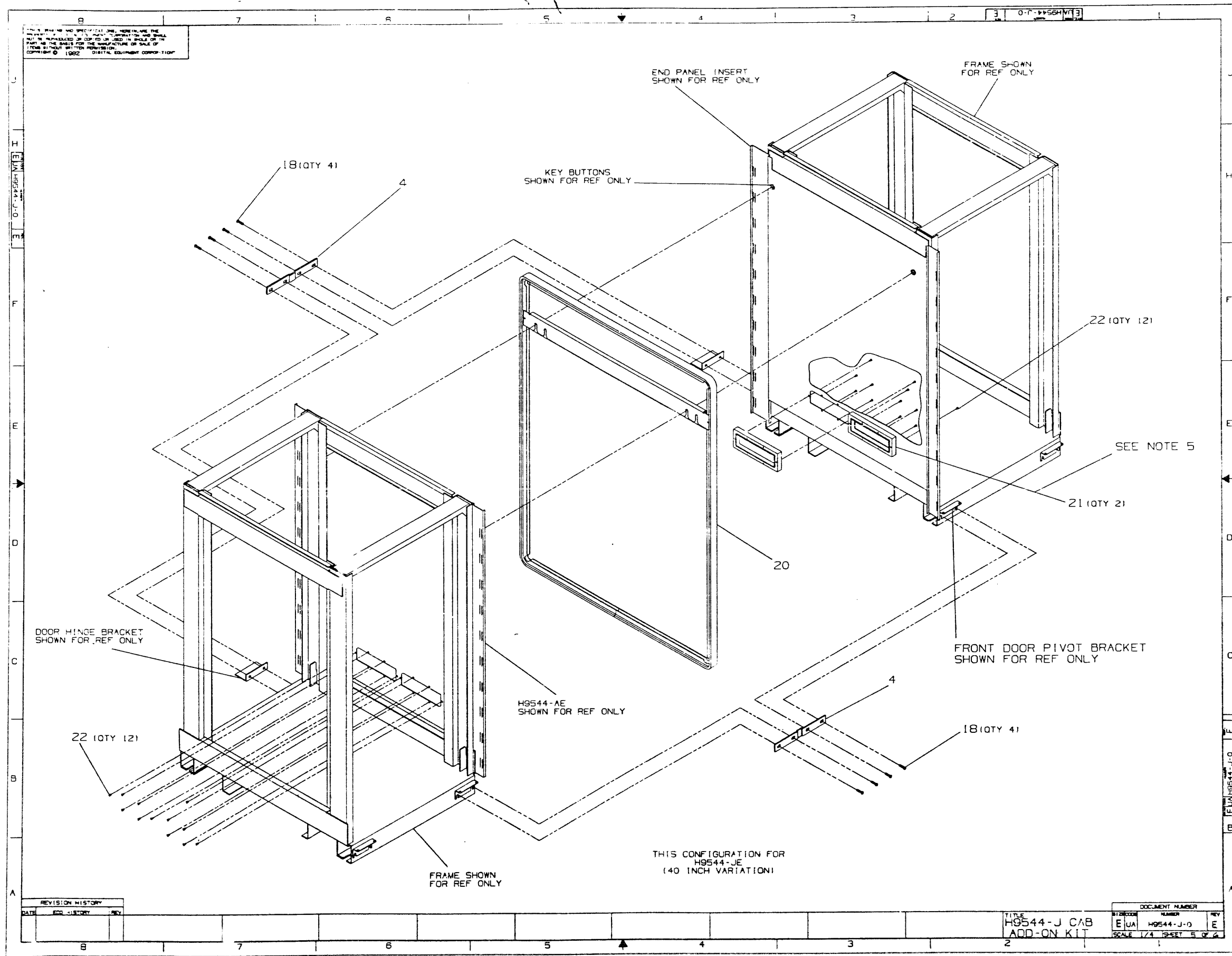
THIS CONFIGURATION FOR H9544-JA (40 INCH VARIATION)

NO.	DESCRIPTION	QTY	UNIT
1	40 INCH ROLL FORM	1	EA
2	60 INCH ROLL FORM	1	EA
3	40 7/8" CONVERSION	1	EA
4	40" ROLL FORM	1	EA
5	40" SHIELDED EXPNS KIT	1	EA
6	60" SHIELDED EXPNS KIT	1	EA
7	40 INCH ROLL FORM	1	EA
8	60 INCH ROLL FORM	1	EA
9	40 7/8" CONVERSION	1	EA
10	40" ROLL FORM	1	EA
11	40" SHIELDED EXPNS KIT	1	EA
12	60" SHIELDED EXPNS KIT	1	EA
13	40 INCH ROLL FORM	1	EA
14	60 INCH ROLL FORM	1	EA
15	40 7/8" CONVERSION	1	EA
16	40" ROLL FORM	1	EA
17	40" SHIELDED EXPNS KIT	1	EA
18	60" SHIELDED EXPNS KIT	1	EA

OFF SHEET PARTS LIST REFER TO K-PL-H9544-J-DBP

ITEM NO.	DESCRIPTION	QTY	UNIT
1	40 INCH ROLL FORM	1	EA
2	60 INCH ROLL FORM	1	EA
3	40 7/8" CONVERSION	1	EA
4	40" ROLL FORM	1	EA
5	40" SHIELDED EXPNS KIT	1	EA
6	60" SHIELDED EXPNS KIT	1	EA

DATE: 11/19/79
 DRAWN BY: J. J. BROWN
 CHECKED BY: J. J. BROWN
 TITLE: H9544-JE CABINET ADD ON KIT
 SHEET 1 OF 2



THIS DRAWING AND SPECIFICATIONS HEREIN ARE THE PROPERTY OF THE UNITED STATES GOVERNMENT AND SHALL NOT BE REPRODUCED OR COPIED IN WHOLE OR IN PART WITHOUT THE WRITTEN PERMISSION OF THE UNITED STATES GOVERNMENT. DIGITAL EQUIPMENT CORPORATION, COPYRIGHT © 1982.

REVISION HISTORY		
DATE	BY	DESCRIPTION

TITLE		DOCUMENT NUMBER	
H9544-J CAB ADD-ON KIT		REV	REV
EUA	H9544-J-0	1	1
SCALE 1/4"		SHEET 5 OF 6	

THIS CONFIGURATION FOR H9544-JE (140 INCH VARIATION)

PARTS LIST

LINE	ITEM	DOCUMENT NUMBER	PART NUMBER	DESCRIPTION	QUANTITY PER VARIATION					
					JA	JC	JD	JH	JE	JF
1	1	E-IA-7016539-0-0	7016539-00	ROLL FORM ASSY. 40 INCH	1	-	-	-	-	-
2	2	D-IA-7016700-0-0	7016700-00	ROLL FORM ASSY 60 INCH	-	1	-	-	-	-
3	3	C-MD-7422221-0-0	7422221-00	BRKT, DOOR HINGE/END PANEL LOCK	2	2	2	-	-	-
4	4	C-MD-7422224-0-0	7422224-00	BRACKET, CABINET FRONT LOCKING	1	1	1	1	2	2
5	5	C-MD-7422225-0-0	7422225-00	BRACKET, CABINET REAR LOCKING	1	1	1	-	-	-
6	6	C-MD-7414318-0-0	7414318-00	*** THIS ITEM IS NOT USED ***	-	-	-	-	-	-
7	7		9006243-09	*** THIS ITEM IS NOT USED ***	-	-	-	-	-	-
8	8		9006676-00	*** THIS ITEM IS NOT USED ***	-	-	-	-	-	-
9	9		9007797-00	*** THIS ITEM IS NOT USED ***	-	-	-	-	-	-
10	10		2200023-00	*** THIS ITEM IS NOT USED ***	-	-	-	-	-	-
11	11		9006074-01	*** THIS ITEM IS NOT USED ***	-	-	-	-	-	-
12	12		9007651-00	*** THIS ITEM IS NOT USED ***	-	-	-	-	-	-
13	13	E-AD-7017092-0-0	7017092-00	END PANEL ASSY	-	-	1	-	-	-
14	14		9010156-00	SCREW, SEMS HEX 10-	-	-	1	-	-	-
15	15		9007786-00	RETAINER, U-NUT 10-32X	-	-	1	-	-	-
16	16	D-IA-7019084-0-0	7019084-01	ROLL FORM ASSEMBLY (40 INCH)	-	-	-	1	-	-
17	17	D-IA-7019076-0-0	7019076-01	BRKT, DOOR HINGE/END PANEL LOCK	-	-	-	2	-	-
18	18		9009988-14	SCREW, SEMS HEX SLOT 1/4-	8	8	8	8	8	8
19	19	C-MD-7426557-0-0	7426557-01	BRACKET, CABINET REAR LOCKING	-	-	-	1	-	-
20	20	D-IA-7019994-0-DBU	7019994-00	ROLL FORM ASSY.	-	-	-	-	1	1
21	21	D-MD-7427810-0-DBU	7427810-01	PANEL, CABLE FEED	-	-	-	-	2	2
22	22		9009545-00	SCREW, SEMS PAN PHIL 8-	-	-	-	-	24	24
23	23		9006664-00	WASHER, FLAT SST	-	-	1	-	-	-
24	24		7020748-01	ROLL FORM ASSY, 60 IN.	-	-	-	-	-	1

25 NOTE: 1. 90 CLASS ITEMS SHOWN ABOVE ARE REQUIRED FOR ASSEMBLY, BUT ARE NOT

REVISION HISTORY		BASIC PART NO: H9544		DRN: F. KEYES	DATE: 04-APR-79	DIGITAL				
ENG:	ECO NUMBER	REV	SECTION A OF A	CHK'D: S. ROBERTS	DATE: 04-APR-79	TITLE		PARTS LIST		
	INITIAL	*	SECTION. VARIATION INDEX	DES. ENG.: W. F. MC CARTHY	DATE: 04-APR-79	H9544-J CABINET ADD-ON KIT				
DS	H9544-J-ML001	A	[A] JA, JC, JD, JH, JE, JF	RESP. ENG.: P. DUBE	DATE: 04-APR-79	DOCUMENT NUMBER				
W.R	H9544-J-ML003	B	[B]	MFG. ENG.: R. CARRIER	DATE: 04-APR-79	SIZE	CODE	NUMBER	REV	
DB	H9642-B-ML008	C	[C]	ASSEMBLY NUMBER:	TOP DOCUMENT NUMBER:	K	PL	H9544-J-DBP	E	
DB	H9544-J-ML005	D	[D]	E-UA-H9544-J-0	#8-DD-H9544-J	FILE NAME:		EDIT #		
RC	H9544-J-LTN06	E	[E]			Z0242E.PLS		4		
			[F]							

"THIS DRAWING AND SPECIFICATIONS HEREIN, ARE THE PROPERTY OF DIGITAL EQUIPMENT CORPORATION AND SHALL NOT BE REPRODUCED OR COPIED OR USED IN WHOLE OR IN PART AS THE BASIS FOR THE MANUFACTURE OR SALE OF ITEMS WITHOUT WRITTEN PERMISSION. COPYRIGHT (C) 1983. DIGITAL EQUIPMENT CORPORATION"

AUTOMATED BY PRTLST.3K(26)

PARTS LIST

SHEET A2 OF A2

LINE ITEM DOCUMENT NUMBER

PART NUMBER

DESCRIPTION

QUANTITY PER VARIATION
JA JC JD JH JE JF

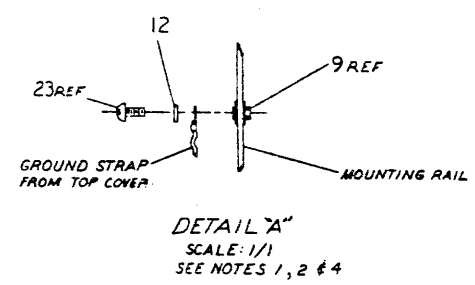
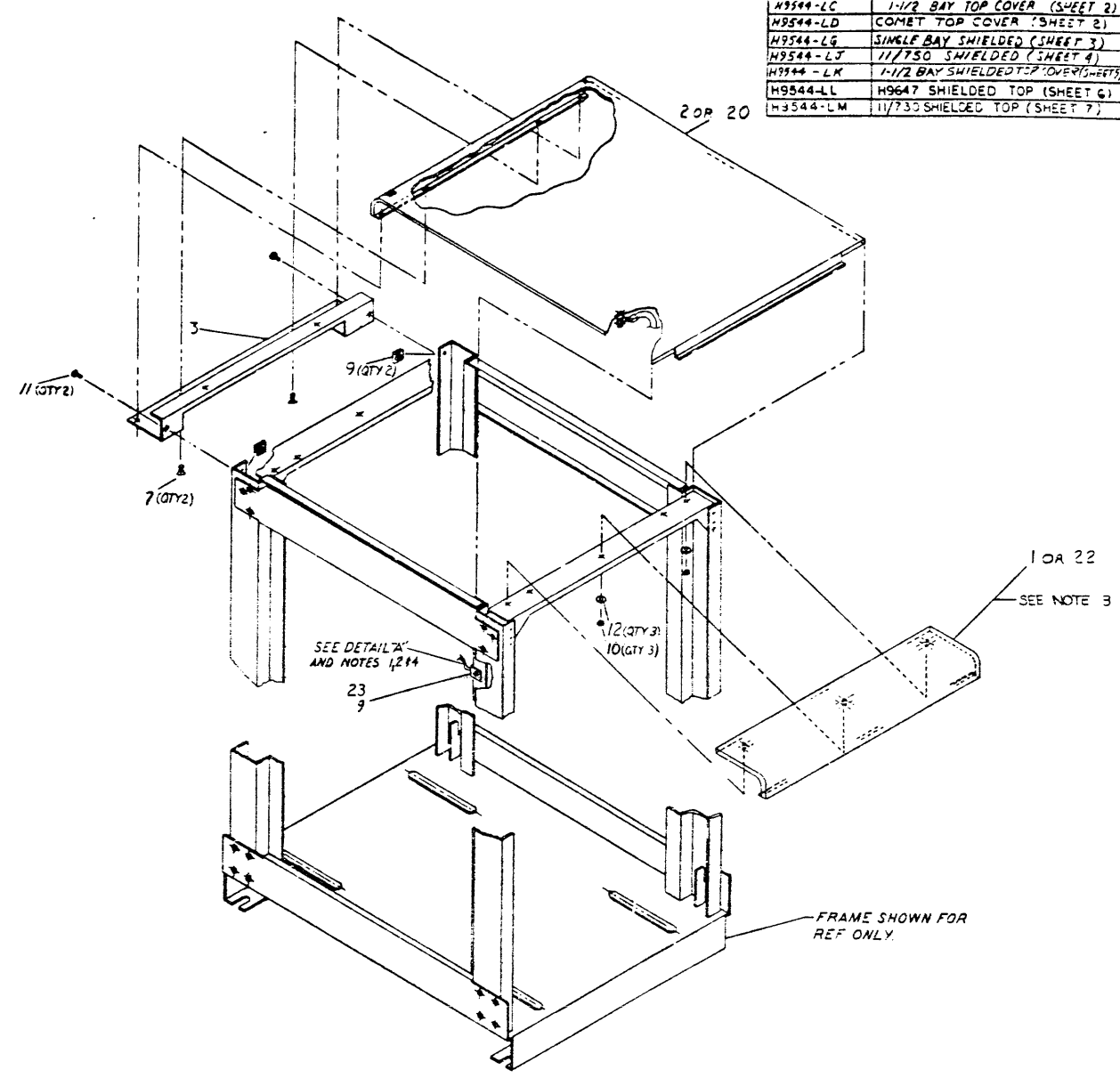
26 NOTE: SHIPPED AS PART OF ASSEMBLY KIT.

D	I	G	I	T	A	L	TITLE	H9544-J CABINET ADD-ON KIT	SECTION A OF A	SIZE	CODE	DOCUMENT NUMBER	REV
Y&HK	HH	63								K	PL	H9544-J-DBP	E

PROPERTY OF BENTON, BOWEN COMPANY AND NOT TO BE REPRODUCED OR COPIED IN WHOLE OR IN PART WITHOUT THE WRITTEN PERMISSION OF BENTON, BOWEN COMPANY

LEGEND	
NUMBER	VARIATION
H9544-LA	40 SINGLE BAY TOP COVER (SHEET 1)
H9544-LB	60 SINGLE BAY TOP COVER (SHEET 1)
H9544-LC	1-1/2 BAY TOP COVER (SHEET 2)
H9544-LD	COMET TOP COVER (SHEET 2)
H9544-LG	SINGLE BAY SHIELDED (SHEET 3)
H9544-LJ	11/750 SHIELDED (SHEET 4)
H9544-LK	1-1/2 BAY SHIELDED TOP (OVER 3 SHEETS)
H9544-LL	H9647 SHIELDED TOP (SHEET 6)
H9544-LM	11/735 SHIELDED TOP (SHEET 7)

- NOTES:
- ATTACH SAFETY GROUND STRAP TO THE CABINET FRAME MOUNTING RAIL IN NEAREST AVAILABLE MOUNTING RAIL HOLE PER DETAIL "A".
 - 27 INCH POUNDS OF TORQUE TO BE USED WHEN FASTENING ITEM "11" (SCREW) TO MOUNTING RAIL, FOR OTHER TORQUE REQUIREMENTS REFER TO A-SP-7-065323-0-0.
 - 10 INCH POUNDS OF TORQUE TO BE USED WHEN FASTENING ITEM "10" (NUT) TO ITEM "4" OR "14" (FRONT COVER) TO PREVENT DIMPLING ON THE COVER.
 - ITEMS 7, 12, 13 AND 17 TO 19 ARE PART OF H9544-L HARDWARE KIT. ITEM 15 IS SHOWN FOR REFERENCE ONLY.
 - GROUND STRAP NOT USED ON H9544-LL, H9544-LJ, H9544-LK AND H9544-LM VARIATIONS.



THIS CONFIGURATION FOR H9544-LA AND -LB

REV	DESCRIPTION	DATE	BY	CHKD
1	ISSUED FOR PRODUCTION	11/15/88	J. COHEN	J. COHEN
2	REVISED TO ADD H9544-LM	11/15/88	J. COHEN	J. COHEN
3	REVISED TO ADD H9544-LJ	11/15/88	J. COHEN	J. COHEN
4	REVISED TO ADD H9544-LK	11/15/88	J. COHEN	J. COHEN
5	REVISED TO ADD H9544-LG	11/15/88	J. COHEN	J. COHEN
6	REVISED TO ADD H9544-LD	11/15/88	J. COHEN	J. COHEN
7	REVISED TO ADD H9544-LC	11/15/88	J. COHEN	J. COHEN
8	REVISED TO ADD H9544-LB	11/15/88	J. COHEN	J. COHEN
9	REVISED TO ADD H9544-LA	11/15/88	J. COHEN	J. COHEN

OFF SHEET PARTS LIST REFER TO K-PL-H9544-L-2BR

DESCRIPTION	QTY	UNIT	ITEM NO.
11	2	SCREW	H9642-A/H9645-A
7	2	NUT	H9642-A/H9645-A
9	2	NUT	H9642-A/H9645-A
12	1	NUT	H9642-A/H9645-A
10	3	NUT	H9642-A/H9645-A
1 OR 22	1	NUT	H9642-A/H9645-A
23	9	NUT	H9642-A/H9645-A

UNLESS OTHERWISE SPECIFIED DIMENSIONS ARE IN INCHES

CLASS OF ACCURACY	FINISH	TEMP	TOL	REF	REF	REF	REF
ASSEMBLY	ASSEMBLY	ASSEMBLY	ASSEMBLY	ASSEMBLY	ASSEMBLY	ASSEMBLY	ASSEMBLY

QUANTITY & VARIATION: MICROINCHES: PREFERRED: 1.000 1.000 1.000 1.000 1.000 1.000 1.000 1.000

DRN: J. COHEN DATE: 11/15/88

CHKD: J. COHEN

ENGR: J. COHEN

PROJ. ENGR: J. COHEN

PROJ. NO: H9544-L

DO NOT SCALE DWG

NEXT HIGHER ASSY

MATERIAL: SEE PARTS LIST

SCALE: 1/1

SIZE: B-20-H9544-L

CODE: E

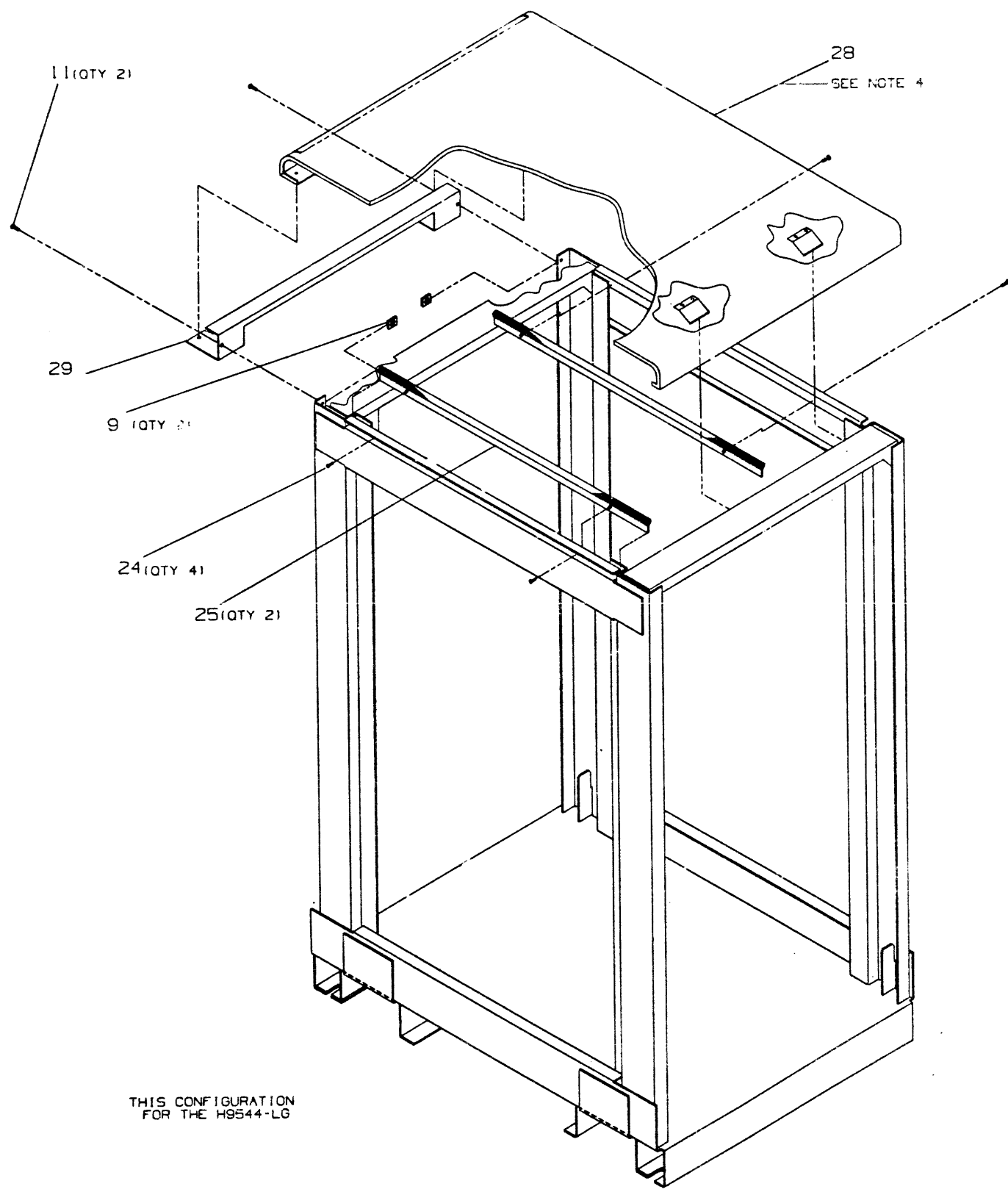
NUMBER: H9544-L-0

REV: F

THIS DRAWING AND SPECIFICATIONS, HEREIN, ARE THE PROPERTY OF DIGITAL EQUIPMENT CORPORATION AND SHALL NOT BE REPRODUCED OR COPIED OR USED IN WHOLE OR IN PART AS THE BASIS FOR THE MANUFACTURE OR SALE OF ITEMS WITHOUT WRITTEN PERMISSION. COPYRIGHT © 1982 DIGITAL EQUIPMENT CORPORATION

J
I
H
E
L
E
D
C
B
A

J
I
H
E
L
E
D
C
B
A



THIS CONFIGURATION FOR THE H9544-LG

REVISION HISTORY		
DATE	REV. HISTORY	BY

TITLE H9544-L
TOP COVER

DOCUMENT NUMBER
EUAH9544-L-0 F
SCALE 1/1 SHEET 3 OF 3

8 7 6 5 4 3 2

AUTOMATED BY PRTLST.3K(26)

PARTS LIST

SHEET A1 OF A2

LINE	ITEM	TOP DOCUMENT	PART NUMBER	MIN REV	DESCRIPTION	QTY PER VARIATION										
						LA	LC	LB	LD	LG	LJ	LK	LL	LM		
1	1	D-MD-7422242-0-0	7422242-00		COVER, TOP FRONT (SINGLE BAY)	1	-	-	-	-	-	-	-	-	-	-
2	2	E-AD-7016545-0-0	7016545-00		COVER ASSY TOPREAR(SINGLEBAY)	1	-	-	-	-	-	-	-	-	-	-
3	3	D-MD-7422244-0-0	7422244-00		BRACKET, REAR VENT SUPPORT (SINGL	1	-	1	-	-	-	-	-	-	-	-
4	4	D-IA-7422281-0-0	7422281-00		COVER, TOP FRONT (1 1/2 BAY)	-	1	-	-	-	-	-	-	-	-	-
5	5	E-AD-7016671-0-0	7016671-00		COVER ASSY TOP REAR (1/2 BAY)	-	1	-	1	-	-	-	-	-	-	-
6	6	E-MD-7422271-0-0	7422271-00		BRKT, REAR VENT SUPPOFI (1-1/2 BA	-	1	-	1	-	-	-	-	-	-	-
7	7		9006070-02		SCREW, MACH FLAT PHIL 10-	2	-	2	-	-	-	-	-	-	-	-
8	8		9007651-00		*** THIS ITEM IS NOT USED ***	-	-	-	-	-	-	-	-	-	-	-
9	9		9007786-00		RETAINER, U-NUT 10-32X	3	3	3	3	2	2	2	2	2	2	2
10	10		9008965-00		NUT, HEX SLF LCKNG NYL INS 10-32	3	3	3	3	-	-	-	-	-	-	-
11	11		9009700-00		SCREW, SEMS TRUSS PHIL 10-	2	2	2	2	2	2	2	2	2	2	2
12	12		9006664-00		WASHER, FLAT SST	4	4	4	4	-	-	-	-	-	-	-
13	13		9007906-00		*** THIS ITEM IS NOT USED ***	-	-	-	-	-	-	-	-	-	-	-
14	14	D-IA-7422257-0-0	7422257-00		COVER, TOP FRONT (1-1/2 BAY)	-	-	-	1	-	-	-	-	-	-	-
15	15		2200028-00		*** THIS ITEM IS NOT USED ***	-	-	-	-	-	-	-	-	-	-	-
16	16		2200028-01		*** THIS ITEM IS NOT USED ***	-	-	-	-	-	-	-	-	-	-	-
17	17		9000026-03		FASTENER, 1/4 TURN FLUSH	-	2	-	2	-	-	-	-	-	-	-
18	18		9010287-00		/REPLACED BY 90-10434-01	-	2	-	2	-	-	-	-	-	-	-
19	19		9008981-00		WASHER, RETAINER SPLIT STEEL	-	2	-	2	-	-	-	-	-	-	-
20	20	E-AD-7016545-0-0	7016545-01		COVER ASSY. TOP REAR	-	-	1	-	-	-	-	-	-	-	-
21	21	D-MD-7422244-0-0	7422244-01		*** THIS ITEM IS NOT USED ***	-	-	-	-	-	-	-	-	-	-	-
22	22	D-MD-7422242-0-0	7422242-01		COVER, TOP FRONT	-	-	1	-	-	-	-	-	-	-	-
23	23		9010156-00		SCREW, SEMS HEX 10-	1	1	1	1	-	-	-	-	-	-	-
24	24		9009985-01		SCREW, SEMS HEX SLOT 8-	-	-	-	-	4	4	4	6	4	-	-
25	25	A-PS-1220589-0-0	1220589-01		SHIELD, NEOPRENE, RFI 19.75LGX3/8	0	-	-	-	2	2	2	3	2	-	-
26	26	D-IA-7019768-0-DBU	7427349-01		BRACKET, TOP COVER (1-1/2 BAY)	-	-	-	-	-	1	1	1	-	-	-
27	27	E-AD-7019768-0-DBU	7019768-00		TOP COVER ASSY	-	-	-	-	-	1	-	-	-	-	-
28	28	E-IA-7019803-0-DBU	7019803-00		COVER TOP ASSY	-	-	-	-	1	-	-	-	-	-	-
29	29	D-IA-7427478-0-DBU	7427478-01		BRACKET, TOP REAR	-	-	-	-	1	-	-	-	-	-	1
30	30	E-AD-7019807-0-DBU	7019807-00		COVER, TOP SHIELD ASSY	-	-	-	-	-	-	1	-	-	-	-

REVISION HISTORY			BASIC PART NO: H9544			DRN: M. JOSEPH			DATE: 14-MAR-79			D I G I T A L		
ENG!	ECO NUMBER	REV	SECTION A OF A			CHK'D: S. ROBERTS			DATE: 14-MAR-79			TITLE PARTS LIST		
---	INITIAL	*	SECTION VARIATION INDEX			DES. ENG: W. F. MC CARTHY			DATE: 14-MAR-79			DOCUMENT NUMBER		
DS	H9544-L-ML003	B	[A] LA, LC, LB, LD, LG, LJ,			RESP. ENG.: P. DUBE			DATE: 14-MAR-79			SIZE! CODE! NUMBER! REV		
DB	H9544-L-ML004	C	LK, LL, LM			MFG. ENG.: J. SOUZA			DATE: 14-MAR-79			K PL H9544-L-DBP F		
RB	H9544L-ML005	D	[B]			ASSEMBLY NUMBER:			TOP DOCUMENT NUMBER:			FILE NAME: EDIT #		
RC	H9544-L-LTN07	E	[C]			E-UA-H9544-L-0			H9544-L-0			Z0244F.PLS 3		
RC	H9544-L-LTN08	F	[D]											
			[E]											
			[F]											

"THIS DRAWING AND THE SPECIFICATIONS CONTAINED HEREIN ARE CONFIDENTIAL AND PROPRIETARY. THEY ARE THE PROPERTY OF DIGITAL EQUIPMENT CORPORATION AND SHALL NOT BE REPRODUCED OR COPIED OR USED IN WHOLE OR IN PART AS THE BASIS FOR THE MANUFACTURE OR SALE OF ITEMS WITHOUT WRITTEN PERMISSION. THIS IS AN UNPUBLISHED WORK PROTECTED UNDER THE FEDERAL COPYRIGHT LAWS."

AUTOMATED BY PRTLST.3K(26)

P A R T S L I S T

LINE	ITEM	TOP DOCUMENT	PART NUMBER	MIN REV	DESCRIPTION	QTY PER VARIATION								
						LA	LC	LB	LD	LG	LJ	LK	LL	LM
31	31	E-AD-7020417-0-DBU	7020417-00		COVER, TOP SHIELD ASSY.	-	-	-	-	-	-	-	1	-
32	32	E-AD-7019619-0-0	7019619-01		TOP COVER ASSY (11730)	-	-	-	-	-	-	-	-	1

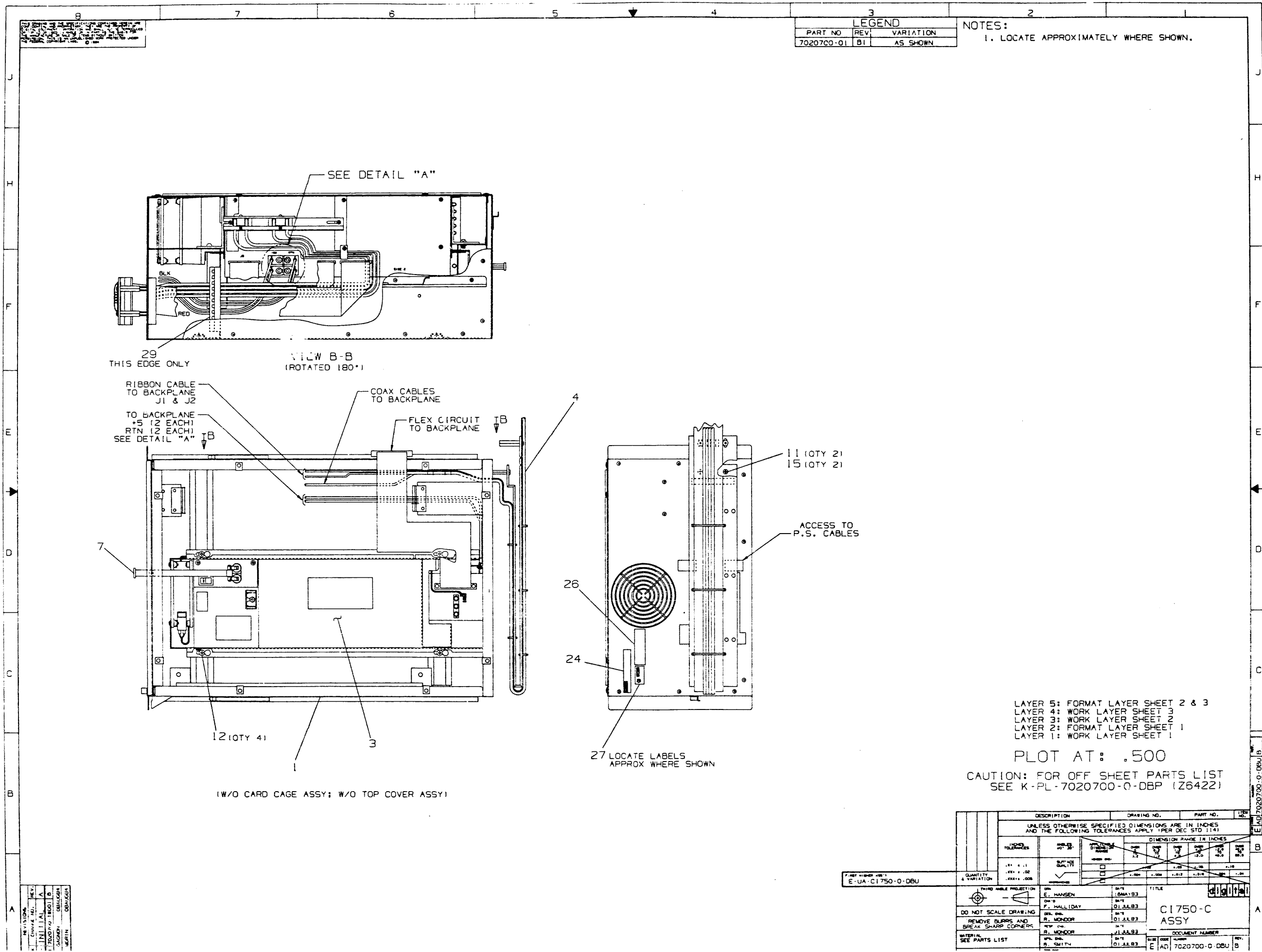
33 NOTE: 90 CLASS ITEMS SHOWN ABOVE ARE REQUIRED FOR ASSEMBLY,
 34 NOTE: BUT ARE NOT SHIPPED AS PART OF THE ASSEMBLY KIT.

D I G I T A L	TITLE	H9544-L TOP COVER	SECTION A OF A	SIZE	CODE	DOCUMENT NUMBER	REV
				K	PL	H9544-L-DBP	F

LINE	ITEM	DOCUMENT NUMBER	PART NUMBER	DESCRIPTION	QUANTITY PER VARIATION	SK
1	1	E-AD-7019794-0-DBU	7019794-00	COVER, I/O SHIELD ASSY	1	
2	2	D-AD-7020393-0-DBU	7020393-00	FRAME, I/O POWER ASSY.	1	
3	3	D-MD-7426407-0-DBU	7426407-01	PANEL, SUB, DOUBLE	5	
4	4		9009546-00	SCREW, SEMS PAN PHIL	4-	10
5	5		9007786-00	RETAINER, U-NUT	10-32X	6
6	6		9010155-00	SCREW, SEMS PAN PHIL	6-	9
7	7		9009700-00	SCREW, SEMS TRUSS PHIL	10-	6
8	8		9010253-00	SCREW, SEMS PAN PHIL	10-	2

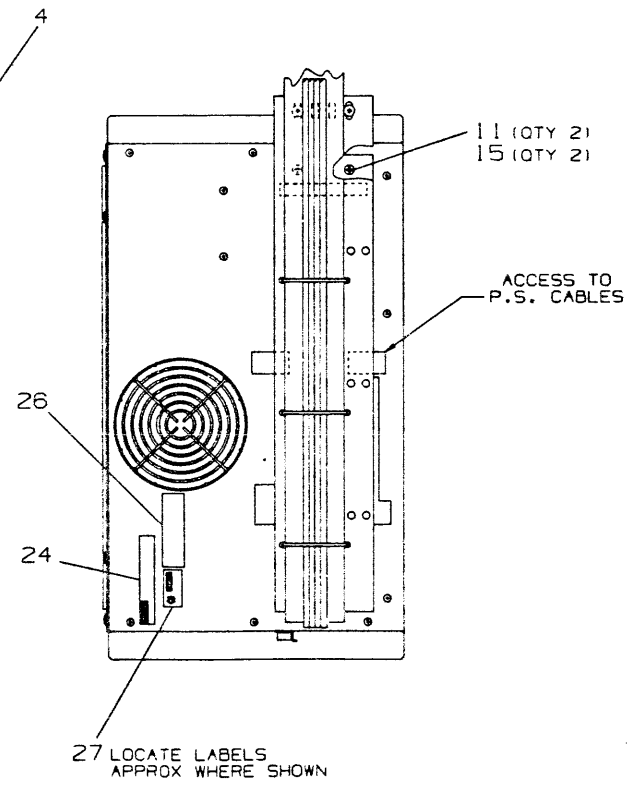
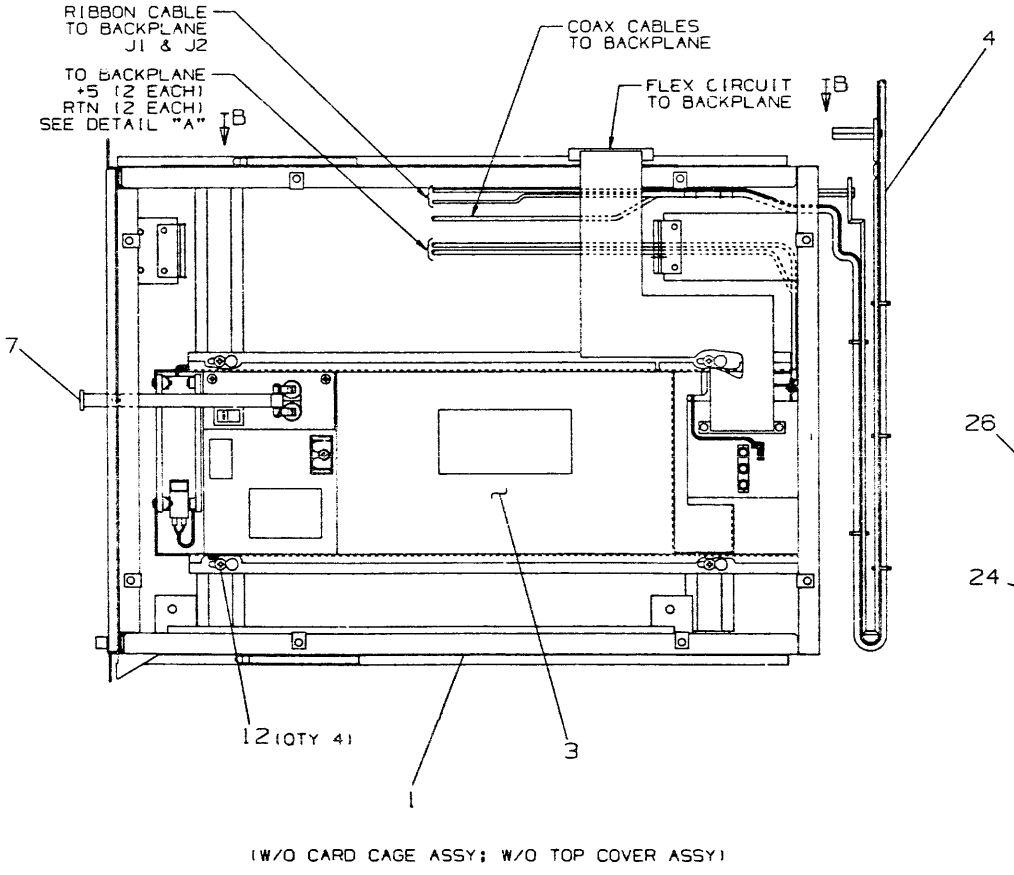
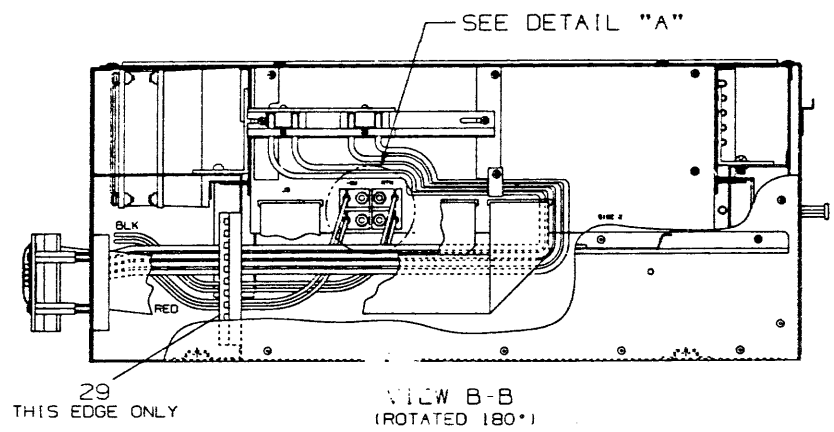
9 NOTE: 90 ITEMS SHOWN ABOVE ARE REQUIRED FOR ASSEMBLY, BUT ARE NOT SHIPPED AS PART OF THE KIT.

REVISION HISTORY		BASIC PART NO: H9544		DRN: M. JOSEPH	DATE: 10-SEP-82	D I G I T A L				
ENG:	ECO NUMBER	REV	SECTION A OF A	CHK'D: F. HALLIDAY	DATE: 10-SEP-82	TITLE		PARTS LIST		
---	INITIAL	A	SECTION. VARIATION INDEX	DES. ENG.: R. BELLIVEAU	DATE: 10-SEP-82	H9544-SK FRAME I/O POWER CONT. KIT ASSY				
RC	H9544-SK-LTN01	B	[A] SK	RESP. ENG.: R. BELLIVEAU	DATE: 10-SEP-82	DOCUMENT NUMBER				
			[B]	MFG. ENG.: J. SOUZA	DATE: 10-SEP-82	SIZE	CODE	NUMBER	REV	
			[C]	ASSEMBLY NUMBER:	TOP DOCUMENT NUMBER:	K	PL	H9544-SK-DBP	B	
			[D]	E-AR-H9544-SK-DBU	E-AR-H9544-SK-DBU			FILE NAME:	EDIT #	
			[E]					Z5584B.PLS	12	
			[F]							
<p>"THIS DRAWING AND SPECIFICATIONS HEREIN, ARE THE PROPERTY OF DIGITAL EQUIPMENT CORPORATION AND SHALL NOT BE REPRODUCED OR COPIED OR USED IN WHOLE OR IN PART AS THE BASIS FOR THE MANUFACTURE OR SALE OF ITEMS WITHOUT WRITTEN PERMISSION. COPYRIGHT (C) 1983. DIGITAL EQUIPMENT CORPORATION"</p>										
CHK HH 3										



LEGEND		
PART NO	REV	VARIATION
7020700-01	B1	AS SHOWN

NOTES:
1. LOCATE APPROXIMATELY WHERE SHOWN.



LAYER 5: FORMAT LAYER SHEET 2 & 3
LAYER 4: WORK LAYER SHEET 3
LAYER 3: WORK LAYER SHEET 2
LAYER 2: FORMAT LAYER SHEET 1
LAYER 1: WORK LAYER SHEET 1

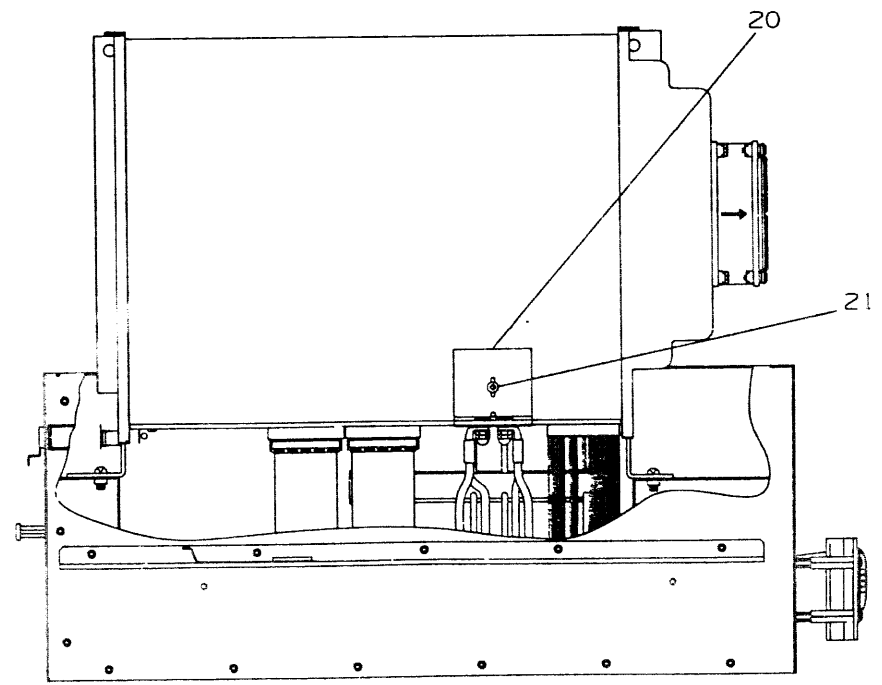
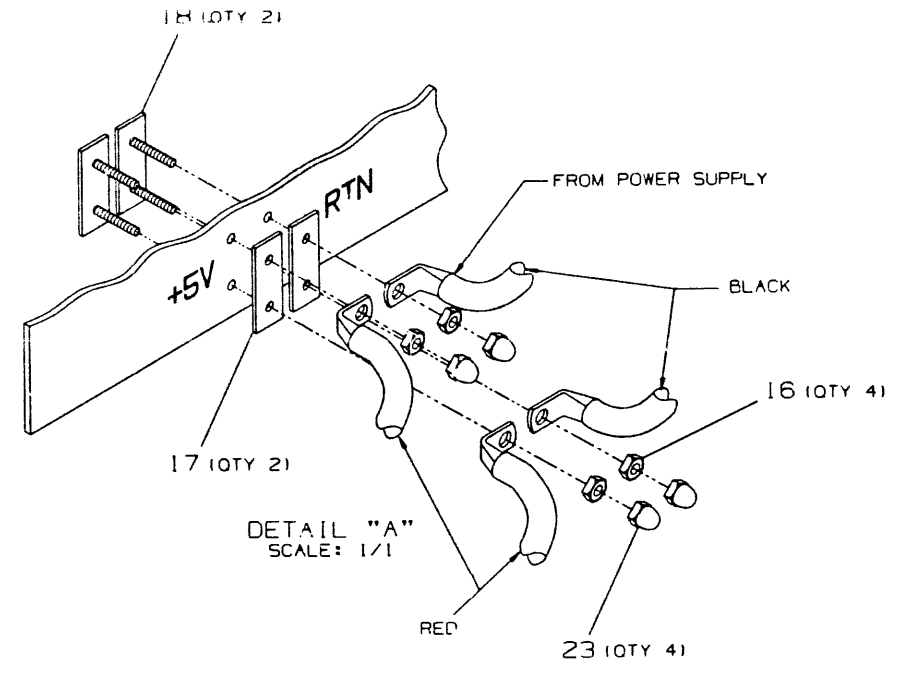
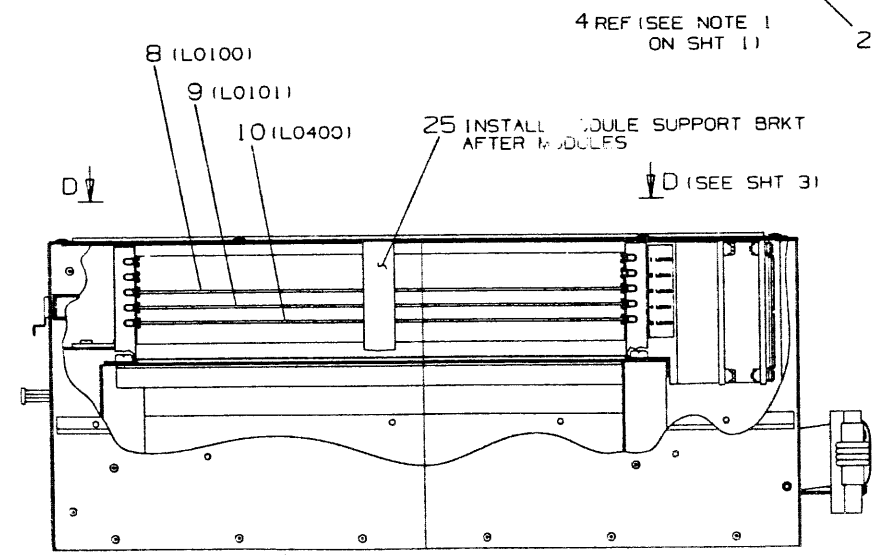
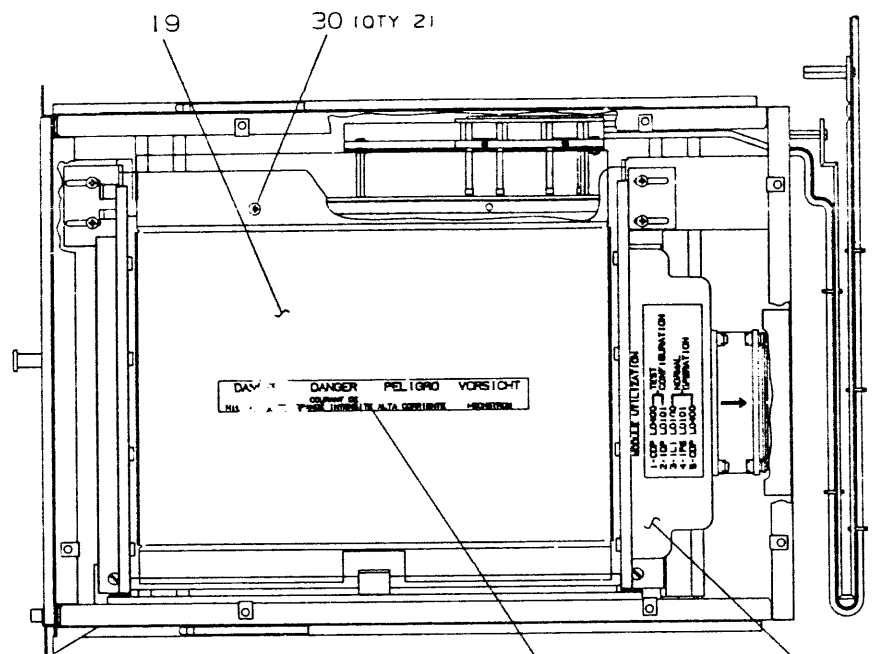
PLOT AT: .500

CAUTION: FOR OFF SHEET PARTS LIST SEE K-PL-7020700-0-DBP (Z6422)

REV	DATE	BY	CHKD	DESCRIPTION
1				
2				
3				
4				
5				

DESCRIPTION	DRAWING NO.	PART NO.	REV.
UNLESS OTHERWISE SPECIFIED DIMENSIONS ARE IN INCHES AND THE FOLLOWING TOLERANCES APPLY (PER DEC STD 114)			
FINISH	AS SHOWN		
QUANTITY & VARIATION	AS SHOWN		
THIRD ANGLE PROJECTION			
DO NOT SCALE DRAWING			
REMOVE BURRS AND BREAK SHARP CORNERS			
MATERIAL SEE PARTS LIST			
DATE	BY	CHKD	TITLE
16MAY83	E. HANSEN		C1750-C ASSY
DATE	BY	CHKD	DOCUMENT NUMBER
01JUL83	P. HALLIDAY		EAD 7020700-0-DBP B
DATE	BY	CHKD	
01JUL83	R. MONDOR		
DATE	BY	CHKD	
01JUL83	R. MONDOR		
DATE	BY	CHKD	
01JUL83	R. GILTY		

"THIS DRAWING AND SPECIFICATIONS, HEREIN, ARE THE PROPERTY OF DIGITAL EQUIPMENT CORPORATION AND SHALL NOT BE REPRODUCED OR COPIED OR USED IN WHOLE OR IN PART AS THE BASIS FOR THE MANUFACTURE OR SALE OF THIS WITHOUT WRITTEN PERMISSION."
 COPYRIGHT © 1983 DIGITAL EQUIPMENT CORPORATION



PLOT AT: .500

REVISION HISTORY	
DATE	ECO HISTORY

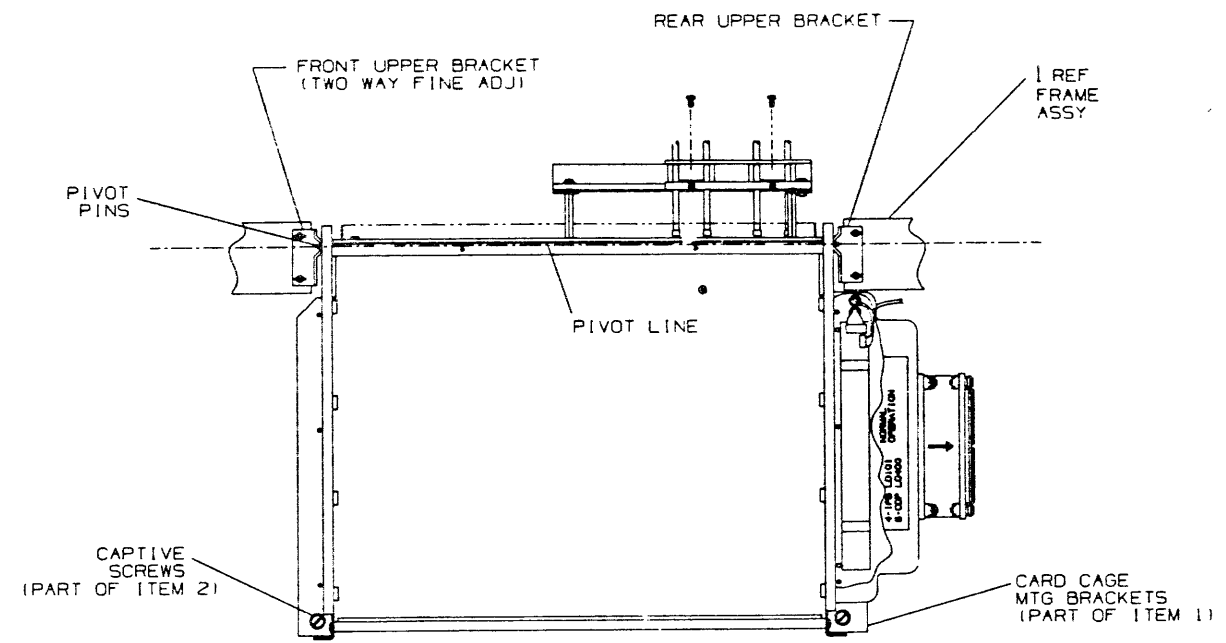
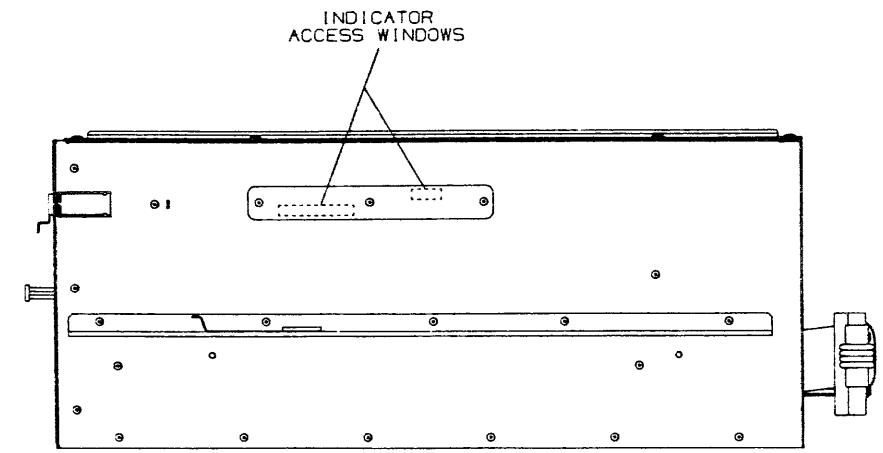
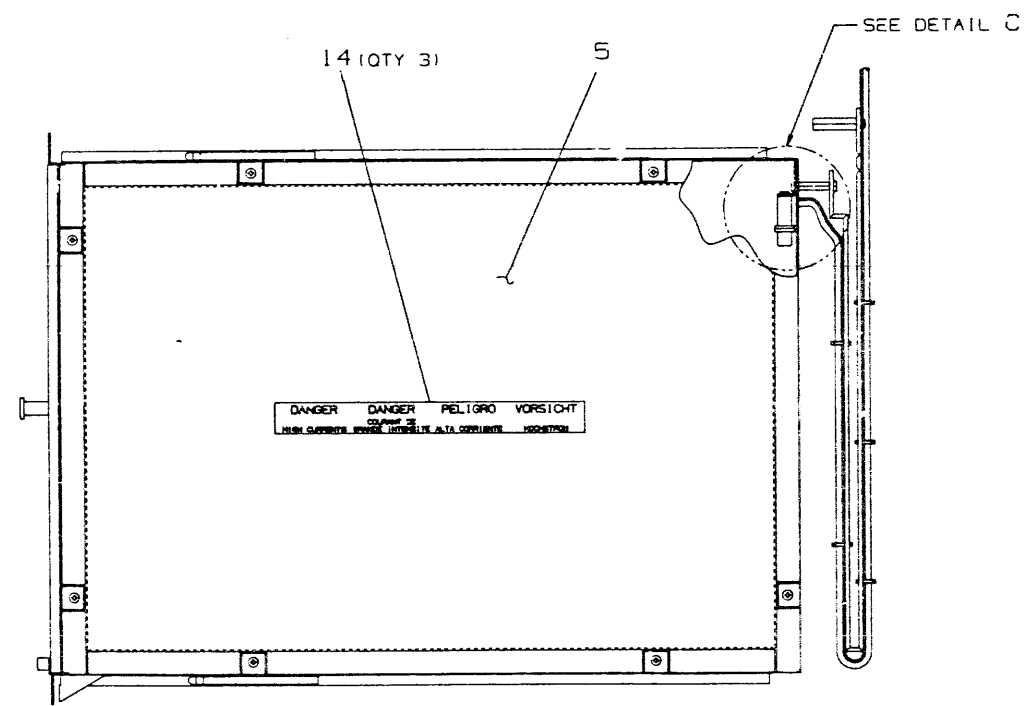
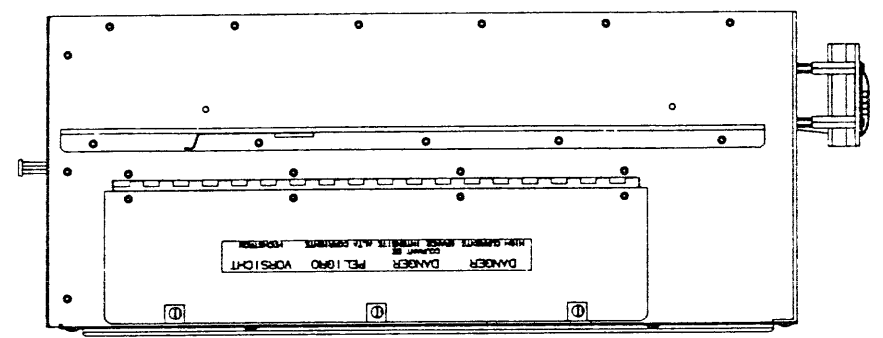
DOCUMENT NUMBER	
SYMBOL	NUMBER
E AD	7020700 0 DBU B

TITLE C1750-C
 ASSY

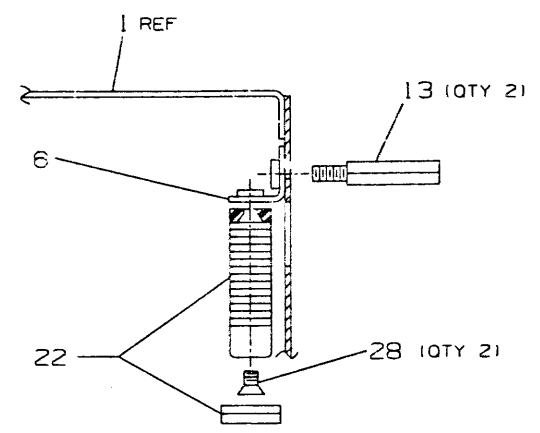
THIS DRAWING AND SPECIFICATIONS, HEREINAFTER THE PROPERTY OF DIGITAL EQUIPMENT CORPORATION AND SHALL NOT BE REPRODUCED OR COPIED OR USED IN WHOLE OR IN PART AS THE BASIS FOR THE MANUFACTURE OR SALE OF ITEMS WITHOUT WRITTEN PERMISSION. COPYRIGHT © 1983 DIGITAL EQUIPMENT CORPORATION

E AD 7020700-0-DBU B

J
I
H
G
F
E
D
C
B
A



VIEW D-D: CARD CAGE POSITIONING AND ASSEMBLING.
 INITIAL INSTALLATION: POSITION CARD CAGE ASSY AND TIGHTEN 2 CAPTIVE SCREWS. POSITION FRONT UPPER BRACKET UNTO PIVOT PIN AND TIGHTEN IT'S 2 SCREWS. POSITION REAR UPPER BRACKET UNTO PIVOT PIN, MAINTAIN A SLIGHT PRESSURE, AND TIGHTEN IT'S 2 SCREWS.
 DISASSEMBLY/ASSEMBLY: LOOSEN AND SLIDE REAR UPPER BRACKET ONLY.



DETAIL C

PLOT AT: .500

REVISION HISTORY		
DATE	EQO HISTORY	REV

J
H
F
E
D
C
B
A

E AD 7020700-0-DBU B

LINE	ITEM	TOP DOCUMENT	PART NUMBER	MIN REV	DESCRIPTION	QTY	PER VARIATION
					VARIATION REVISION LEVEL:	01	B1
1	1	E-IA-7020406-0-DBU	7020406-01	B	FRAME ASSY	1	
2	2	E-IA-7020408-0-DBU	7020408-01	C	CARD CAGE ASSY.	1	
3	3	E-IA-7020407-0-DBU	7020407-01		POWER SUPPLY ASSY.	1	(F)
4	4	E-IA-7020447-0-DBU	7020447-01		RETRACTOR ASSY.	1	
5	5	E-AD-7020642-0-DBU	7020642-01	B	COVER, TOP ASSY.	1	
6	6	C-IA-7427380-0-DBU	7427380-01		BRACKET, RET	1	
7	7	D-MD-7428678-0-DBU	7428678-01	B	BRACKET,CIRCUIT BREAKER	1	
8	8		L0100-00		ILI (CI LINK INTERFACE),HEX 12	1	
9	9		L0101-00		IPB (CI CONTROL STORE & PACKET B	1	
10	10		L0400-00		CDP (CI750 DATA PATH MODULE),4-L	1	
11	11		9009545-01		SCREW,SEMS PAN PHIL (F) 8-	2	
12	12		9009988-08		SCREW,SEMS HEX SLOT 8-	4	
13	13		9000001-03		STANDOFF,MALE/FEMALE HEX 8-32	2	
14	14	A-PS-3615087-0-0	3615087-02		LABEL,"DANGER-HIGH CURRENT"	3	
AT15	15	SST 2	9006660-00		WASHER,FL		
16	16		9006565-00		NUT,HEX EXT TOOTH LCKWSHR 10-32	4	
17	17	B-MD-7423050-0-DBU	7423050-00		COVER PLATE	2	
18	18	B-IA-7423049-0-DBU	7423049-00		STUD PLATE	2	
19	19	E-MD-7427861-0-DBU	74278 (F)61-01	B	COVER,CARD CAGE	1	
20	20	C-MD-7428979-0-DBU	7428979-01		COVER,LEXAN	1	
21	21		9009643-02		SCREW,SEMS PAN PHIL 4-	1	
22	22		1219059-00		CLIP FLAT WIRE ADH MMNT ACCOM	1	
23	23	9006610-00	NUT,CAP,RELOCK 10-32X .438AF NYL 4				
24	24	A-PS-3617674-0-0	3617674-00		LABEL,SERIAL/POWER W/O UL + CSA	1	
25	25	D-MD-7428427-0-DBU	7428427-01		BRACKET, MODULE SUPPORT	1	
26	26	A-PS-3617880-0-0	3617880-09		LABEL,CLASS "A" SUBASSEMBLY	1	
27	27	A-PS-3613211-0-0	3613211-01		DECAL,CLEAR PREPRINTED CSA 1-1/4	1	
28	28		9006020-02		SCREW,MACH FLAT PHIL 6-	2	
29	29		9009718-04		GROMMET,STRIP STYRENE	1	
30	30		9000049-24		SCREW,SEMS PAN PHIL 6-	2	

REVISION HISTORY			BASIC PART NO: 7020700		DRN: E HANSEN		DATE: 25-JAN-83		D I G I T A L	
ENG	ECO NUMBER	REV	SECTION A OF A							
---	INITIAL	A	SECTION VARIATION INDEX	CHK'D: F HALLIDAY						TITLE PARTS LIST
BM	7020700-TW001	B	(A)01							CI750-C ASSY
			(B)	DES.ENG: B MONDOR						DOCUMENT NUMBER
			(C)							SIZE!CODE! NUMBER ! REV
			(D)	(F)!RESP.ENG.: B MONDOR						! DATE: 25-JAN-83 ! K ! PL ! 7020700-0-DBP ! B
			(E)	MFG.ENG.: B SMITH						RELEASE DATE: 11-OCT-84
			(F)	ASSEMBLY NUMBER:						TOP DOCUMENT NUMBER: FILE NAME: ! EDIT #!
				E-AD-7020700-0-DBU						E-AD-7020700-0-DBU Z6422B.PLS ! 13 !

"THIS (F)DRAWING AND THE SPECIFICATIONS CONTAINED HEREIN ARE CONFIDENTIAL AND PROPRIETARY. THEY ARE THE PROPERTY OF DIGITAL EQUIPMENT CORPORATION AND SHALL NOT BE REPRODUCED OR COPIED OR USED IN WHOLE OR IN PART AS THE BASIS FOR THE MANUFACTURE OR SALE OF ITEMS WITHOUT WRITTEN PERMISSION. THIS IS AN UNPUBLISHED WORK PROTECTED UNDER THE FEDERAL COPYRIGHT LAWS."

This drawing and specifications, herein, are the property of Digital Equipment Corporation and shall not be reproduced or copied or used in whole or in part as the basis for the manufacture or sale of items without written permission.

WIRE TABLE

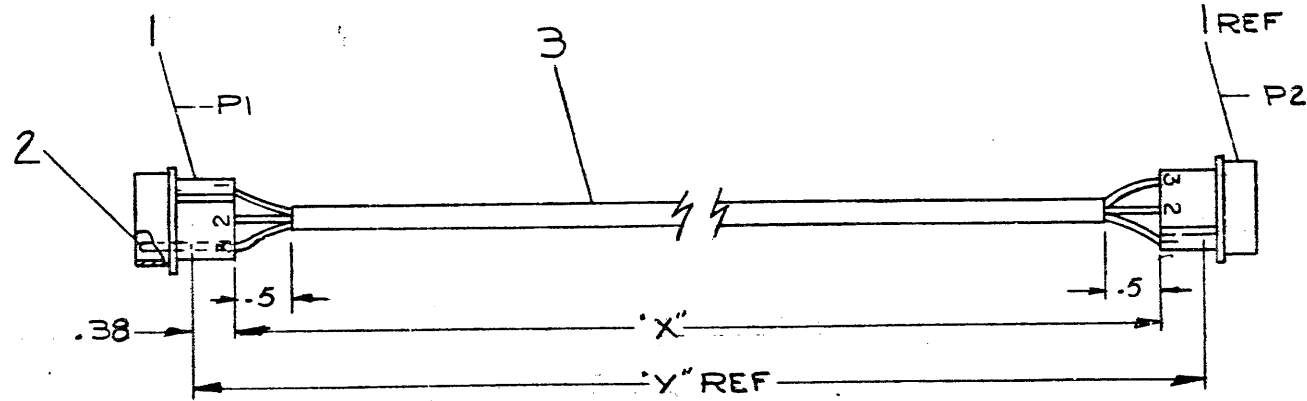
ITEM NO	DESCRIPTION	AWG	COLOR	FROM		TO	
				CONNECTION	WITH	CONNECTION	WITH
3	22	RED	PI-1	2	P2-1	2	
3	22	BLK	PI-2	2	P2-2	2	
3	22	GRN	PI-3	2	P2-3	2	

LEGEND

NUMBER	DIM'X VARIATION	DIM'Y (PRECUT) REF
7008288-3F	3FT. 6IN ± 1IN.	3FT. 6.8IN ± 1IN.
7008288-8F	8FT. 6IN ± 2IN.	8FT. 6.8IN ± 2IN.
7008288-06	6FT. ± 2IN.	6FT. 0.8IN ± 2IN.
7008288-12	12FT. ± 3IN.	12FT. 0.8IN ± 3IN.
7008288-05	5FT. ± 1IN.	5FT. 0.8IN ± 2IN.
7008288-10	10FT. ± 2IN.	10FT. 0.8IN ± 3IN.
7008288-15	15FT. ± 3IN.	15FT. 0.8IN ± 3IN.
7008288-08	8FT. ± 2IN.	8FT. 0.8IN ± 2IN.
7008288-30	30FT. ± 7IN.	30FT. 0.8IN ± 7IN.
7008288-40	40FT. ± 10IN.	40FT. 0.8IN ± 10IN.
7008288-25	25FT. ± 10IN.	25FT. 0.8IN ± 10IN.

NOTES:

~~THE REMAINING BLK WIRE IS TO BE CUT BACK AT JACKET (BOTH ENDS.)~~



CHK	REVISIONS	CHANGE NO.	REV.
1		7008288-00001	A
	R. BURTON		
		7008288-00002	B
	D. LEWIS		
		7008288-00003	C
	B. MINOR		
		7008288-00004	D
	J. PROVIDENT		
		7008288-00005	E
	F. DOLL		
		7008288-00006	F
	MCINTYRE		
		7012401-00003	H
	I. MORRIS		
		7008288-ML007	J
	CASTELLANOS		

FIRST USED ON OPTION/MODEL
PDP/11

UNLESS OTHERWISE SPECIFIED
DIMENSION IN INCHES
TOLERANCES
FRACTIONS ANGLES
± 0°30'

FINAL SURFACE QUALITY
REMOVE BURRS AND BREAK SHARP CORNERS

MATERIAL
SEE PARTS LIST

FINISH

QTY.	DESCRIPTION	PART NO.	ITEM NO.
	A/R WIRE, 3 COND #22 AWG	9107756	3
	6 PIN MALE #60620-1	1209378-03	2
	2 PIN HOUSING #1-480305-0	1209351-03	1

PARTS LIST

DRN. <i>J. Flanagan</i>	DATE 3/22/71	 digital EQUIPMENT CORPORATION MAYNARD, MASSACHUSETTS
CHK'D <i>J. Flanagan</i>	DATE 3/31/71	
ENG. <i>E.R. Blain</i>	DATE 4-9-71	
PROJ. ENG. <i>E.R. Blain</i>	DATE 4-9-71	
PROD. <i>H. Call</i>	DATE 4/12/71	

TITLE
CABLE ASSY

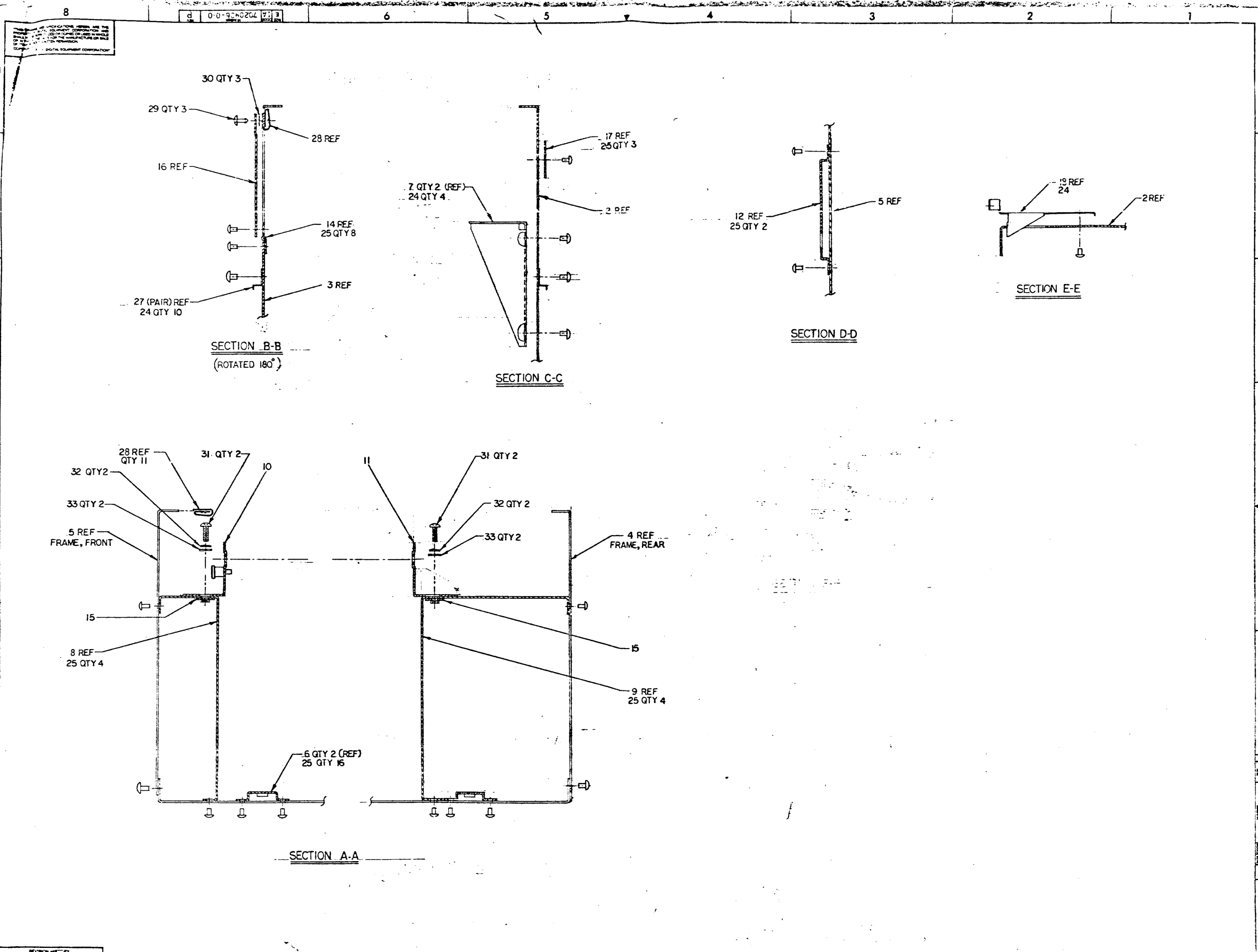
SIZE CODE	NUMBER	REV.
CIA	7008288-0-0	J

SCALE 1 OF 1
SHEET 1 OF 1

REV. 1
NUMBER 7008288-0-0
SIZE CODE CIA

B

A



REVISION HISTORY
 DATE BY
 0-0-00 0204 2 1
 0-0-00 0204 2 1
 0-0-00 0204 2 1

REV	DESCRIPTION

TITLE		DOCUMENT NUMBER	
	FRAME ASSEMBLY	E-1A	70204C6-0-3
		SCALE	SHEET 2 OF 2

TW 1

LINE ITEM	TOP DOCUMENT	PART NUMBER	MIN REV	DESCRIPTION	QTY PER VARIATION
1	E-MD-7430175-0-0	7430175-01		FRAME,BOTTOM	1
2	E-IA-7430176-0-0	7430176-01		FRAME,RIGHT SIDE	1
3	E-IA-7430177-0-0	7430177-01		FRAME,LEFT SIDE	1
4	E-IA-7430179-0-0	7430179-01		FRAME,REAR	1
5	E-MD-7430178-0-0	7430178-01		FRAME,FRONT	1
6	D-IA-7427863-0-DBU	7427863-01	C	STRUT,BOTTOM	2
7	D-IA-7430180-0-0	7430180-01		BRACKET,C/C MOUNT	2
8	D-MD-7430181-0-0	7430181-01		BRACKET,LOWER,FRONT	1
9	D-MD-7430181-0-0	7430181-02		BRACKET,LOWER,REAR	1
10	C-IA-7430310-0-0	7430310-01		BRACKET,UPPER,FRONT	1
11	C-MD-7430311-0-0	7430311-01		BRACKET,UPPER,REAR	1
12	C-IA-7428677-0-DBU	7428677-01	C	BRACKET,CIRCUIT	1
13	BLANK			*** THIS ITEM IS NOT USED ***	-
14	D-MD-7427865-0-DBU	7427865-01	B	HINGE,DOOR	1
15	C-IA-7430183-0-0	7430183-01		PLATE,NUT	2
16	D-MD-7430185-0-DBU	7430185-01		DOOR,SIDE	1
17	C-MD-7430184-0-0	7430184-01		WINDOW,PLASTIC	1
18	D-MD-7421616-0-0	7421616-02		SPRING,BOX LOCK	1
19	D-MD-7427862-0-DBU	7427862-01	B	FOAM,CARD CAGE	1
20	D-MD-7427867-0-DBU	7427867-01	B	FOAM,PAN	1
21	D-MD-7427866-0-DBU	7427866-01		FILTER,FOAM	1
22	C-MD-7423073-0-DBU	7423073-00		VELCRO STRIP, UPPER	2
23	C-MD-7423073-0-DBU	7423073-03		STRIP,VELCRO	2
24		9000030-01		RIVET,BLIND DOME 0.156DX0.300	45
25		9000030-10		RIVET,BLIND DOME 0.125DX0.275	37
26	BLANK			*** THIS ITEM IS NOT USED ***	-
27		1213686-01		MOUNTING RAIL FOR 12-13686-00	1
28		9010434-01		RECEPTACLE,CLIP-ON STEEL	11
29		9000026-02		FASTENER,1/4 TURN OVAL	3
30		9010308-00		RETAINER,PUSH-ON SS/PAS	3

REVISION HISTORY			BASIC PART NO: 7020406		
ENG	ECO NUMBER	REV	SECTION A OF A	DRN: A PINKARD	DATE: 10-SEP-84
---	INITIAL	B	SECTION VARIATION INDEX (A)01	CHK'D: F HALLIDAY	DATE: 10-SEP-84
			(B)	DES.ENG: B MONDOR	DATE: 10-SEP-84
			(C)	RESP.ENG.: B MONDOR	DATE: 10-SEP-84
			(D)	MFG.ENG.: B SMITH	DATE: 10-SEP-84
			(E)		
			(F)	ASSEMBLY NUMBER: E-AD-7020406-0-DBU	TOP DOCUMENT NUMBER: E-AD-7020406-0-DBU
					FILE NAME: Z5917B.PLS
					RELEASE DATE: 19-DEC-84
					EDIT # 6

"THIS DRAWING AND THE SPECIFICATIONS CONTAINED HEREIN ARE CONFIDENTIAL AND PROPRIETARY. THEY ARE THE PROPERTY OF DIGITAL EQUIPMENT CORPORATION AND SHALL NOT BE REPRODUCED OR COPIED OR USED IN WHOLE OR IN PART AS THE BASIS FOR THE MANUFACTURE OR SALE OF ITEMS WITHOUT WRITTEN PERMISSION. THIS IS AN UNPUBLISHED WORK PROTECTED UNDER THE FEDERAL COPYRIGHT LAWS."

AUTOMATED BY PRTLST.5R(55)

P A R T S L I S T

SHEET A2 OF A2

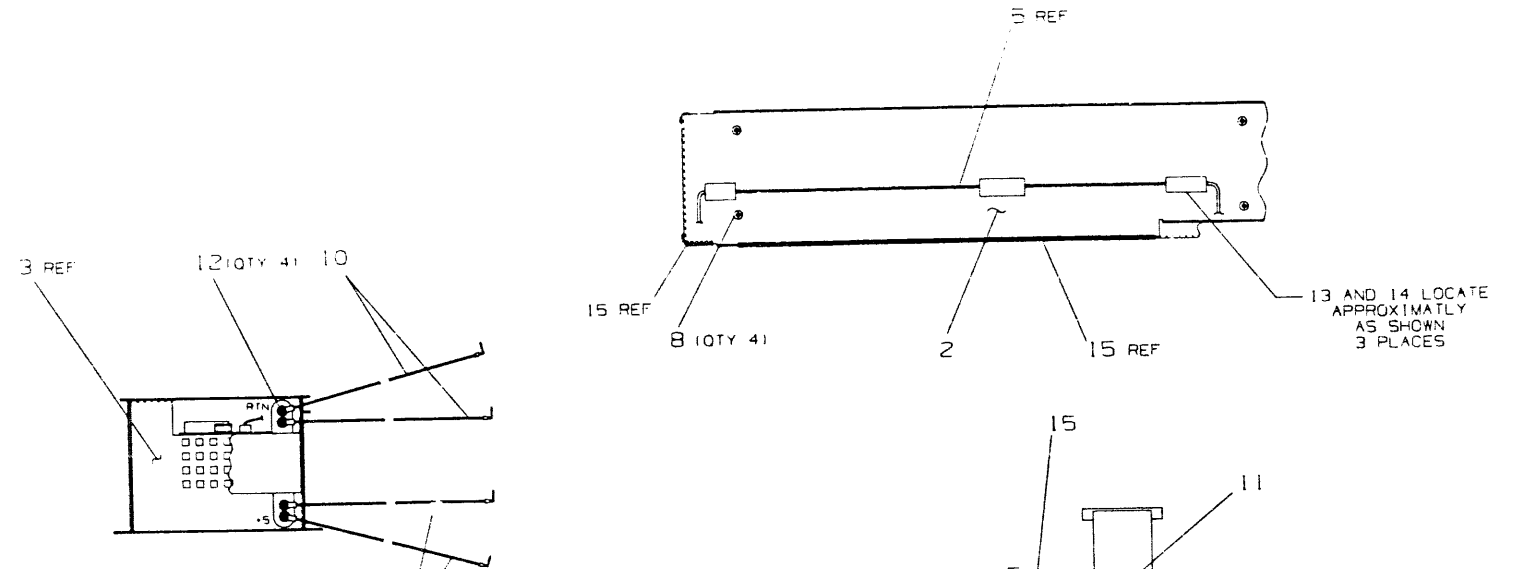
LINE	ITEM	TOP DOCUMENT	PART NUMBER	MIN REV	DESCRIPTION	VARIATION REVISION LEVEL:	QTY PER VARIATION
31	31		9006039-01		SCREW,MACH PAN PHIL	B1	8- 4

D	I	G	I	T	A	L	TITLE	FRAME ASSY	SECTION A	OF A	SIZE	CODE	DOCUMENT NUMBER	REV
											K	PL	7020406-0-DBP	B

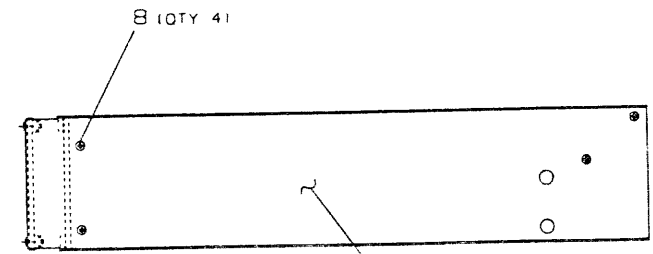
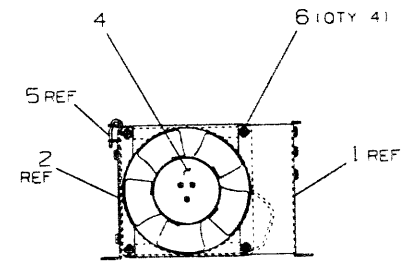
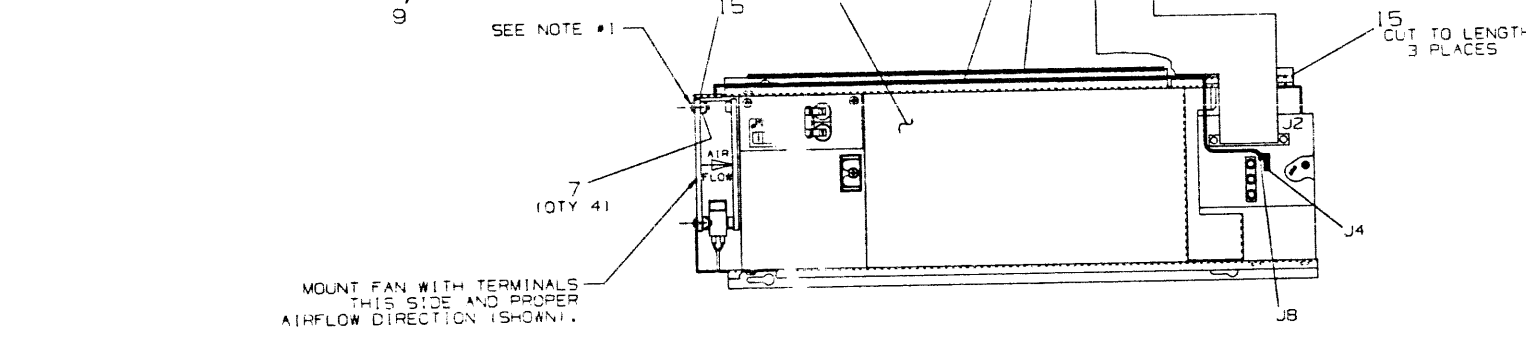
THIS DRAWING AND SPECIFICATIONS HEREBY ARE THE PROPERTY OF DIGITAL EQUIPMENT CORPORATION AND SHALL NOT BE REPRODUCED OR COPIED IN WHOLE OR IN PART WITHOUT THE WRITTEN PERMISSION OF DIGITAL EQUIPMENT CORPORATION.

LEGEND	
7020407-01-A1	AS SHOWN

NOTES:
 1. INSERT SCREWS WITH 6 IN. LBS OF TORQUE MAX.



VIEW A-A



LAYER #3: FORMAT LAYER
 LAYER #2: WORK LAYER
 LAYER #1: INFORMATION LAYER
 PLOT AT .475

CAUTION: OFF SHEET PARTS LIST EXISTS,
 REFER TO K-PL-7020407-0-DBP
 (Z5918)

DESCRIPTION		DRAWING NO.	PART NO.	REV. NO.
UNLESS OTHERWISE SPECIFIED DIMENSIONS ARE IN INCHES AND THE FOLLOWING TOLERANCES APPLY: .0008 TO .0125				
INCHES TOLERANCES	FRACTIONS	DECIMALS	DIMENSIONS IN RANGE IN INCHES	
.0008 TO .0125	1/16"	0.0005	0.0000 - 0.0005	0.0005 - 0.0010
.0125 TO .0312	1/32"	0.0005	0.0010 - 0.0015	0.0015 - 0.0020
.0312 TO .0625	1/16"	0.0005	0.0020 - 0.0025	0.0025 - 0.0030
.0625 TO .1250	1/16"	0.0005	0.0030 - 0.0035	0.0035 - 0.0040
.1250 TO .2500	1/16"	0.0005	0.0040 - 0.0045	0.0045 - 0.0050
.2500 TO .5000	1/16"	0.0005	0.0050 - 0.0055	0.0055 - 0.0060
.5000 TO 1.0000	1/16"	0.0005	0.0060 - 0.0065	0.0065 - 0.0070
1.0000 TO 2.0000	1/16"	0.0005	0.0070 - 0.0075	0.0075 - 0.0080
2.0000 TO 3.0000	1/16"	0.0005	0.0080 - 0.0085	0.0085 - 0.0090
3.0000 TO 4.0000	1/16"	0.0005	0.0090 - 0.0095	0.0095 - 0.0100
4.0000 TO 5.0000	1/16"	0.0005	0.0100 - 0.0105	0.0105 - 0.0110
5.0000 TO 6.0000	1/16"	0.0005	0.0110 - 0.0115	0.0115 - 0.0120
6.0000 TO 7.0000	1/16"	0.0005	0.0120 - 0.0125	0.0125 - 0.0130
7.0000 TO 8.0000	1/16"	0.0005	0.0130 - 0.0135	0.0135 - 0.0140
8.0000 TO 9.0000	1/16"	0.0005	0.0140 - 0.0145	0.0145 - 0.0150
9.0000 TO 10.0000	1/16"	0.0005	0.0150 - 0.0155	0.0155 - 0.0160
10.0000 TO 12.0000	1/16"	0.0005	0.0160 - 0.0165	0.0165 - 0.0170
12.0000 TO 15.0000	1/16"	0.0005	0.0170 - 0.0175	0.0175 - 0.0180
15.0000 TO 20.0000	1/16"	0.0005	0.0180 - 0.0185	0.0185 - 0.0190
20.0000 TO 30.0000	1/16"	0.0005	0.0190 - 0.0195	0.0195 - 0.0200
30.0000 TO 40.0000	1/16"	0.0005	0.0200 - 0.0205	0.0205 - 0.0210
40.0000 TO 50.0000	1/16"	0.0005	0.0210 - 0.0215	0.0215 - 0.0220
50.0000 TO 60.0000	1/16"	0.0005	0.0220 - 0.0225	0.0225 - 0.0230
60.0000 TO 70.0000	1/16"	0.0005	0.0230 - 0.0235	0.0235 - 0.0240
70.0000 TO 80.0000	1/16"	0.0005	0.0240 - 0.0245	0.0245 - 0.0250
80.0000 TO 90.0000	1/16"	0.0005	0.0250 - 0.0255	0.0255 - 0.0260
90.0000 TO 100.0000	1/16"	0.0005	0.0260 - 0.0265	0.0265 - 0.0270
100.0000 TO 120.0000	1/16"	0.0005	0.0270 - 0.0275	0.0275 - 0.0280
120.0000 TO 150.0000	1/16"	0.0005	0.0280 - 0.0285	0.0285 - 0.0290
150.0000 TO 200.0000	1/16"	0.0005	0.0290 - 0.0295	0.0295 - 0.0300
200.0000 TO 300.0000	1/16"	0.0005	0.0300 - 0.0305	0.0305 - 0.0310
300.0000 TO 400.0000	1/16"	0.0005	0.0310 - 0.0315	0.0315 - 0.0320
400.0000 TO 500.0000	1/16"	0.0005	0.0320 - 0.0325	0.0325 - 0.0330
500.0000 TO 600.0000	1/16"	0.0005	0.0330 - 0.0335	0.0335 - 0.0340
600.0000 TO 700.0000	1/16"	0.0005	0.0340 - 0.0345	0.0345 - 0.0350
700.0000 TO 800.0000	1/16"	0.0005	0.0350 - 0.0355	0.0355 - 0.0360
800.0000 TO 900.0000	1/16"	0.0005	0.0360 - 0.0365	0.0365 - 0.0370
900.0000 TO 1000.0000	1/16"	0.0005	0.0370 - 0.0375	0.0375 - 0.0380
1000.0000 TO 1200.0000	1/16"	0.0005	0.0380 - 0.0385	0.0385 - 0.0390
1200.0000 TO 1500.0000	1/16"	0.0005	0.0390 - 0.0395	0.0395 - 0.0400
1500.0000 TO 2000.0000	1/16"	0.0005	0.0400 - 0.0405	0.0405 - 0.0410
2000.0000 TO 3000.0000	1/16"	0.0005	0.0410 - 0.0415	0.0415 - 0.0420
3000.0000 TO 4000.0000	1/16"	0.0005	0.0420 - 0.0425	0.0425 - 0.0430
4000.0000 TO 5000.0000	1/16"	0.0005	0.0430 - 0.0435	0.0435 - 0.0440
5000.0000 TO 6000.0000	1/16"	0.0005	0.0440 - 0.0445	0.0445 - 0.0450
6000.0000 TO 7000.0000	1/16"	0.0005	0.0450 - 0.0455	0.0455 - 0.0460
7000.0000 TO 8000.0000	1/16"	0.0005	0.0460 - 0.0465	0.0465 - 0.0470
8000.0000 TO 9000.0000	1/16"	0.0005	0.0470 - 0.0475	0.0475 - 0.0480
9000.0000 TO 10000.0000	1/16"	0.0005	0.0480 - 0.0485	0.0485 - 0.0490
10000.0000 TO 12000.0000	1/16"	0.0005	0.0490 - 0.0495	0.0495 - 0.0500
12000.0000 TO 15000.0000	1/16"	0.0005	0.0500 - 0.0505	0.0505 - 0.0510
15000.0000 TO 20000.0000	1/16"	0.0005	0.0510 - 0.0515	0.0515 - 0.0520
20000.0000 TO 30000.0000	1/16"	0.0005	0.0520 - 0.0525	0.0525 - 0.0530
30000.0000 TO 40000.0000	1/16"	0.0005	0.0530 - 0.0535	0.0535 - 0.0540
40000.0000 TO 50000.0000	1/16"	0.0005	0.0540 - 0.0545	0.0545 - 0.0550
50000.0000 TO 60000.0000	1/16"	0.0005	0.0550 - 0.0555	0.0555 - 0.0560
60000.0000 TO 70000.0000	1/16"	0.0005	0.0560 - 0.0565	0.0565 - 0.0570
70000.0000 TO 80000.0000	1/16"	0.0005	0.0570 - 0.0575	0.0575 - 0.0580
80000.0000 TO 90000.0000	1/16"	0.0005	0.0580 - 0.0585	0.0585 - 0.0590
90000.0000 TO 100000.0000	1/16"	0.0005	0.0590 - 0.0595	0.0595 - 0.0600
100000.0000 TO 120000.0000	1/16"	0.0005	0.0600 - 0.0605	0.0605 - 0.0610
120000.0000 TO 150000.0000	1/16"	0.0005	0.0610 - 0.0615	0.0615 - 0.0620
150000.0000 TO 200000.0000	1/16"	0.0005	0.0620 - 0.0625	0.0625 - 0.0630
200000.0000 TO 300000.0000	1/16"	0.0005	0.0630 - 0.0635	0.0635 - 0.0640
300000.0000 TO 400000.0000	1/16"	0.0005	0.0640 - 0.0645	0.0645 - 0.0650
400000.0000 TO 500000.0000	1/16"	0.0005	0.0650 - 0.0655	0.0655 - 0.0660
500000.0000 TO 600000.0000	1/16"	0.0005	0.0660 - 0.0665	0.0665 - 0.0670
600000.0000 TO 700000.0000	1/16"	0.0005	0.0670 - 0.0675	0.0675 - 0.0680
700000.0000 TO 800000.0000	1/16"	0.0005	0.0680 - 0.0685	0.0685 - 0.0690
800000.0000 TO 900000.0000	1/16"	0.0005	0.0690 - 0.0695	0.0695 - 0.0700
900000.0000 TO 1000000.0000	1/16"	0.0005	0.0700 - 0.0705	0.0705 - 0.0710
1000000.0000 TO 1200000.0000	1/16"	0.0005	0.0710 - 0.0715	0.0715 - 0.0720
1200000.0000 TO 1500000.0000	1/16"	0.0005	0.0720 - 0.0725	0.0725 - 0.0730
1500000.0000 TO 2000000.0000	1/16"	0.0005	0.0730 - 0.0735	0.0735 - 0.0740
2000000.0000 TO 3000000.0000	1/16"	0.0005	0.0740 - 0.0745	0.0745 - 0.0750
3000000.0000 TO 4000000.0000	1/16"	0.0005	0.0750 - 0.0755	0.0755 - 0.0760
4000000.0000 TO 5000000.0000	1/16"	0.0005	0.0760 - 0.0765	0.0765 - 0.0770
5000000.0000 TO 6000000.0000	1/16"	0.0005	0.0770 - 0.0775	0.0775 - 0.0780
6000000.0000 TO 7000000.0000	1/16"	0.0005	0.0780 - 0.0785	0.0785 - 0.0790
7000000.0000 TO 8000000.0000	1/16"	0.0005	0.0790 - 0.0795	0.0795 - 0.0800
8000000.0000 TO 9000000.0000	1/16"	0.0005	0.0800 - 0.0805	0.0805 - 0.0810
9000000.0000 TO 10000000.0000	1/16"	0.0005	0.0810 - 0.0815	0.0815 - 0.0820
10000000.0000 TO 12000000.0000	1/16"	0.0005	0.0820 - 0.0825	0.0825 - 0.0830
12000000.0000 TO 15000000.0000	1/16"	0.0005	0.0830 - 0.0835	0.0835 - 0.0840
15000000.0000 TO 20000000.0000	1/16"	0.0005	0.0840 - 0.0845	0.0845 - 0.0850
20000000.0000 TO 30000000.0000	1/16"	0.0005	0.0850 - 0.0855	0.0855 - 0.0860
30000000.0000 TO 40000000.0000	1/16"	0.0005	0.0860 - 0.0865	0.0865 - 0.0870
40000000.0000 TO 50000000.0000	1/16"	0.0005	0.0870 - 0.0875	0.0875 - 0.0880
50000000.0000 TO 60000000.0000	1/16"	0.0005	0.0880 - 0.0885	0.0885 - 0.0890
60000000.0000 TO 70000000.0000	1/16"	0.0005	0.0890 - 0.0895	0.0895 - 0.0900
70000000.0000 TO 80000000.0000	1/16"	0.0005	0.0900 - 0.0905	0.0905 - 0.0910
80000000.0000 TO 90000000.0000	1/16"	0.0005	0.0910 - 0.0915	0.0915 - 0.0920
90000000.0000 TO 100000000.0000	1/16"	0.0005	0.0920 - 0.0925	0.0925 - 0.0930
100000000.0000 TO 120000000.0000	1/16"	0.0005	0.0930 - 0.0935	0.0935 - 0.0940
120000000.0000 TO 150000000.0000	1/16"	0.0005	0.0940 - 0.0945	0.0945 - 0.0950
150000000.0000 TO 200000000.0000	1/16"	0.0005	0.0950 - 0.0955	0.0955 - 0.0960
200000000.0000 TO 300000000.0000	1/16"	0.0005	0.0960 - 0.0965	0.0965 - 0.0970
300000000.0000 TO 400000000.0000	1/16"	0.0005	0.0970 - 0.0975	0.0975 - 0.0980
400000000.0000 TO 500000000.0000	1/16"	0.0005	0.0980 - 0.0985	0.0985 - 0.0990
500000000.0000 TO 600000000.0000	1/16"	0.0005	0.0990 - 0.0995	0.0995 - 0.1000
600000000.0000 TO 700000000.0000	1/16"	0.0005	0.1000 - 0.1005	0.1005 - 0.1010
700000000.0000 TO 800000000.0000	1/16"	0.0005	0.1010 - 0.1015	0.1015 - 0.1020
800000000.0000 TO 900000000.0000	1/16"	0.0005	0.1020 - 0.1025	0.1025 - 0.1030
900000000.0000 TO 1000000000.0000	1/16"	0.0005	0.1030 - 0.1035	0.1035 - 0.1040
1000000000.0000 TO 1200000000.0000	1/16"	0.0005	0.1040 - 0.1045	0.1045 - 0.1050
1200000000.0000 TO 1500000000.0000	1/16"	0.0005	0.1050 - 0.1055	0.1055 - 0.1060
1500000000.0000 TO 2000000000.0000	1/16"	0.0005	0.1060 - 0.1065	0.1065 - 0.1070
2000000000.0000 TO 3000000000.0000	1/16"	0.0005	0.1070 - 0.1075	0.1075 - 0.1080
3000000000.0000 TO 4000000000.0000	1/16"	0.0005	0.1080 - 0.1085	0.1085 - 0.1090
4000000000.0000 TO 5000000000.0000	1/16"	0.0005	0.1090 - 0.1095	0.1095 - 0.1100
5000000000.0000 TO 6000000000.0000	1/16"	0.0005	0.1100 - 0.1105	0.1105 - 0.1110
6000000000.0000 TO 7000000000.0000	1/16"	0.0005	0.1110 - 0.1115	0.1115 - 0.1120
7000000000.0000 TO 8000000000.0000	1/16"	0.0005	0.1120 - 0.1125	0.1125 - 0.1130
8000000000.0000 TO 9000000000.0000	1/16"	0.0005	0.1130 - 0.1135	0.1135 - 0.1140
9000000000.0000 TO 10000000000.0000	1/16"	0.0005	0.1140 - 0.1145	0.1145 - 0.1150
10000000000.0000 TO 12000000000.0000	1/16"	0.0005	0.1150 - 0.1155	0.1155 - 0.1160
120000000				

LINE ITEM	DOCUMENT NUMBER	PART NUMBER	DESCRIPTION	QUANTITY PER VARIATION
1	D-MD-7427369-0-DBU	7427369-01	BRACKET,LEFT,P.S.	1
2	D-MD-7427370-0-DBU	7427370-01	BRACKET,RIGHT,P.S.	1
3		H7202-D	H7200,H7216,120V/240V	1
4	A-PS-1217556-0-0	1217556-01	FAN,TUBE AXIAL 4.5" 105CFM 12V	1
5	D-IA-7018163-0-0	7018163-3B	CABLE, DC FAN	1
6		9010109-00	SCREW,SEMS PAN PHIL 6-	4
7		9009165-00	CLIP, FAN MOUNTING (12-05033 FAN	4
8		9010174-01	SCREW,SEMS PAN PHIL 8-	8
9	D-IA-7014529-0-0	7014529-1F	CABLE POWER 5 MEMORY RED	2
10	D-IA-7014250-0-0	7014250-1F	CABLE POWER RTP MEM BLK	2
11	A-PS-1700388-0-0	1700388-01	CIRCUIT,FLEXIBLE POWER/SIGNAL	1
12		9009988-08	SCREW,SEMS HEX SLOT 8-	4
13		9008264-00	MCJNT, CABLE TIE, ADHESIVE BACKE	3
14		9007032-00	TIE,CABLE BUNDL.DIA 0-1-3/4"=101	3
15		9010299-00	CHANNEL"U"NEOPRENE,BLK 3/32SLOT	A/R

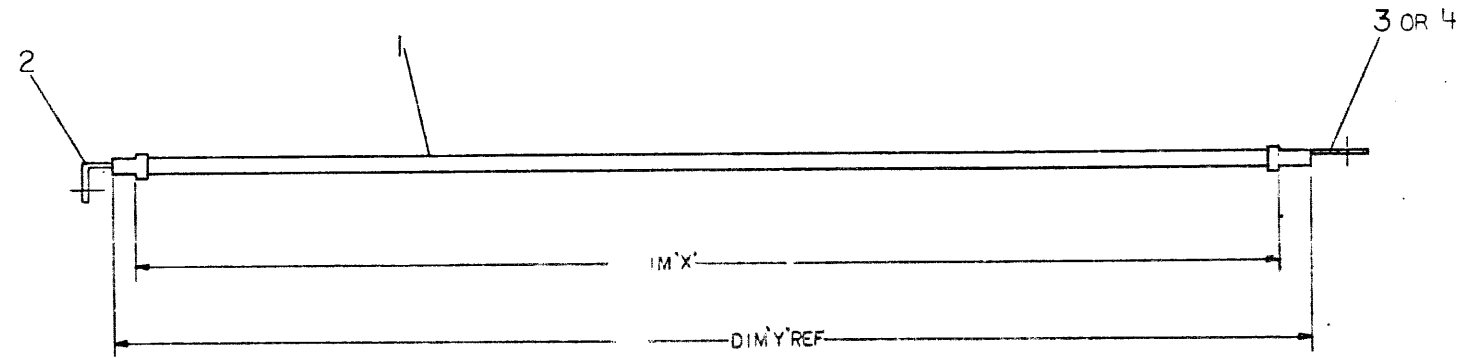
REVISION HISTORY		BASIC PART NO: 7020407		DRN: A PINKARD		DATE: 25-JAN-83		D I G I T A L	
ENG:	ECO NUMBER	REV	SECTION A OF A	CHK'D:	F HALLIDAY	DATE:	23-MAY-83	TITLE	PARTS LIST
	INITIAL	A	SECTION. VARIATION INDEX					POWER SUPPLY ASSY	
			[A] 01						
			[B]	DES.ENG.:	B MONDOR	DATE:	23-MAY-83		
			[C]					DOCUMENT NUMBER	
			[D]	RESP.ENG.:	B MONDOR	DATE:	23-MAY-83	SIZE:CODE:	NUMBER
			[E]					K PL	7020407-0-DBP
			[F]	MFG.ENG.:	B SMITH	DATE:	23-MAY-83		A
				ASSEMBLY NUMBER:	E-AD-7020407-0-DBU	TOP DOCUMENT NUMBER:	E-AD-7020407-0-DBU	FILE NAME:	Z5918A.PLS
								EDIT #:	11

"THIS DRAWING AND SPECIFICATIONS HEREIN, ARE THE PROPERTY OF DIGITAL EQUIPMENT CORPORATION AND SHALL NOT BE REPRODUCED OR COPIED OR USED IN WHOLE OR IN PART AS THE BASIS FOR THE MANUFACTURE OR SALE OF ITEMS WITHOUT WRITTEN PERMISSION. COPYRIGHT (C) 1983. DIGITAL EQUIPMENT CORPORATION "

THIS DRAWING AND SPECIFICATIONS, WHEN USED IN CONNECTION WITH THE PROPERTY OF DIGITAL EQUIPMENT CORPORATION AND SHALL NOT BE REPRODUCED OR COPIED OR USED IN WHOLE OR IN PART AS THE BASIS FOR THE MANUFACTURE OR SALE OF ITEMS WITHOUT WRITTEN PERMISSION.
COPYRIGHT © 1977, DIGITAL EQUIPMENT CORPORATION

LEGEND		
PART NO	DIM 'X' VARIATION	DIM 'Y' (PRECUT) REF
7014529-ID	IFT-3 IN ±.5IN	IFT-4 IN ±.5IN
7014529-OK	ØFT-8 IN ±.5IN	ØFT-9 IN ±.5IN
7014529-IF	IFT-5 IN ±.5IN	IFT-6 IN ±.5IN

7014529-0-0



CAUTION: OFF SHEET PARTS LIST EXISTS
SEE K-PL-7014529-0-DBP (Z5538B.PLS)

REV	DATE	BY	CHKD
1	10/11/78	W. J.
2

1	LOG, POWER STRAIGHT	211515-00	3
1	LOG, POWER 90°	212086-02	2
1	WIRE #8 AWG STRD RED	3107765-22	1

DESCRIPTION	DWG. PART NO.	ITEM NO.
LOG, POWER STRAIGHT	211515-00	3
LOG, POWER 90°	212086-02	2
WIRE #8 AWG STRD RED	3107765-22	1

THIRD ANGLE PROJECTION	DRN	11/78	FIRST USED ON	VAX 11/780
REMOVE BURRS AND BREAK SHARP CORNERS	CHK'D	...	TITLE	CABLE, POWER (+5 MEMORY RED)
DO NOT SCALE DWG	ENGL	...	SCALE	NONE
MATERIAL SEE PARTS LIST	PROD	...	SIZE	D
FINISH			NUMBER	7014529-0-0
			REV.	8

AUTOMATED BY PRTLST.4Q(50)

PARTS LIST

SHEET A1 OF A1

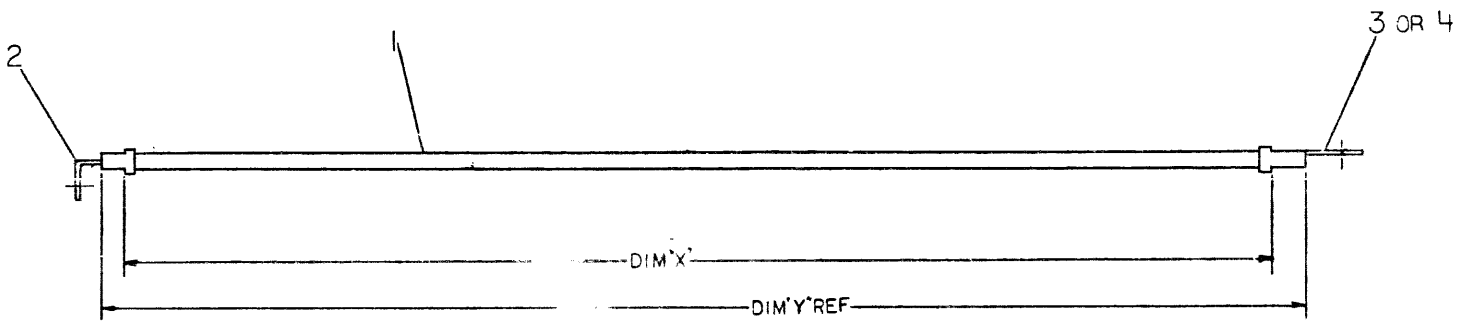
LINE ITEM	DOCUMENT NUMBER	PART NUMBER	DESCRIPTION	QUANTITY PER VARIATION		
				1D	OK	1F
1	1	9107765-22	WIRE, 08AWG(168/30)IPVC 600V1	A/R	A/R	A/R
2	2	1212086-02	TERM,RING 8,9,10STUD FLAG	1	1	1
3	3	1211515-00	TERM,RING 1/4STUD CRIMP	1	1	-
4	4	1211515-01	TERM,RING #10STUD CRIMP	-	-	1

REVISION HISTORY			BASIC PART NO: 7014529			DRN: J.FERGUSON			DATE: 27-APR-83			D I G I T A L			
ENG	ECO NUMBER	REV	SECTION A OF A			CHK'D: M.NORMAND			DATE: 27-APR-83			TITLE PARTS LIST			
	INITIAL	B	SECTION. VARIATION INDEX			DES.ENG.: R.EDGAR			DATE: 27-APR-83			CABLE, POWER (+5 MEMORY RED)			
			[A] 1D,OK,1F			RESP.ENG.: R.EDGAR			DATE: 27-APR-83			DOCUMENT NUMBER			
			[B]			MFG.ENG.: M.MILAZZO			DATE: 27-APR-83			SIZE	CODE	NUMBER	REV
			[C]			ASSEMBLY NUMBER:			TOP DOCUMENT NUMBER:			K	PL	7014529-0-DBP	B
			[D]			E-UA-11780-0-0			B-DD-11780-0-0					FILE NAME:	EDIT #
			[E]											Z55388.PLS	5
			[F]												
<p>"THIS DRAWING AND SPECIFICATIONS HEREIN, ARE THE PROPERTY OF DIGITAL EQUIPMENT CORPORATION AND SHALL NOT BE REPRODUCED OR COPIED OR USED IN WHOLE OR IN PART AS THE BASIS FOR THE MANUFACTURE OR SALE OF ITEMS WITHOUT WRITTEN PERMISSION. COPYRIGHT (C) 1983. DIGITAL EQUIPMENT CORPORATION "</p>															

THE DIMENSIONS AND SPECIFICATIONS HEREIN ARE THE PROPERTY OF DIGITAL EQUIPMENT CORPORATION AND SHALL NOT BE REPRODUCED OR COPIED IN WHOLE OR IN PART TO THE BASIS FOR THE MANUFACTURE OR SALE OF ITEMS WITHOUT WRITTEN PERMISSION. COPYRIGHT © 1977, DIGITAL EQUIPMENT CORPORATION

LEGEND		
PART NO	DIM X VARIATION	DIM Y (PRECUT) REF
7014250-01	1 FT-0 IN ±.5 IN	1 FT-1 IN ±.5 IN
7014250-0K	0 FT-8 IN ±.5 IN	0 FT-9 IN ±.5 IN
7014250-1F	1 FT-5 IN ±.5 IN	1 FT-6 IN ±.5 IN

DIA 7014250-0-0 2



CAUTION: OFF SHEET PARTS LIST EXISTS
SEE K-PL-7014250-0-DBP (Z5537B, PLS)

REV	DESCRIPTION	DATE	BY	CHK
1	7014250-0-0001 A	10/27/77	R. MARTEL	
2				
3				
4				
5				
6				
7				
8				

1	LUG, POWER STRAIGHT	1211515-00	3
1	LUG, POWER 90°	1412036-03	2
1	WIRE GANG BLACK	9107765-08	1

DESCRIPTION	DWG. PART NO.	ITEM NO.
UNLESS OTHERWISE SPECIFIED DIMENSIONS ARE IN INCHES		
ANGLES	CLASS OF ACCURACY	NOMINAL DIMENSIONS IN INCHES
30°/30°		OVER 12.0 TO 40.0
		12.0 TO 40.0
		40.0 TO 90.0
SURFACE QUALITY	FINISH	
IN		
QUANTITY & VARIATION		

THIRD ANGLE PROJECTION	DRN. 28/AMM	FIRST USED ON	WAX 11 780
REMOVE BURRS AND BREAK SHARP CORNERS	CHK'D [Signature]		
DO NOT SCALE DWG	ENGR. [Signature]	TITLE	CABLE, POWER (RTR MEMORY BLK)
MATERIAL SEE PARTS LIST	PROJ. ENGR. [Signature]	SIZE	D
FINISH	PROD. [Signature]	CODE	IA
		NUMBER	7014250-C-0
		SHEET	2
		OF	8
		DIST.	

AUTOMATED BY PRTLST.4Q(50)

PARTS LIST

SHEET A1 OF A1

LINE	ITEM	DOCUMENT NUMBER	PART NUMBER	DESCRIPTION	QUANTITY PER VARIATION		
					01	OK	1F
1	1		9107765-00	WIRE, 08AWG(168/30)IPVC 600V1	A/R	A/R	A/R
2	2		1212086-02	TERM,RING 8,9,10STUD FLAG	1	1	1
3	3		1211515-00	TERM,RING 1/4STUD CRIMP	1	1	-
4	4		1211515-01	TERM,RING #10STUD CRIMP	-	-	1

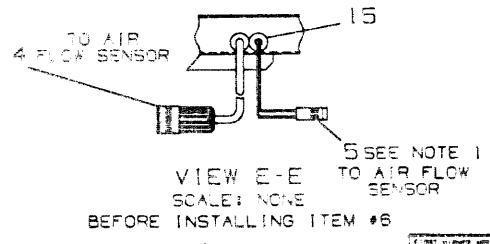
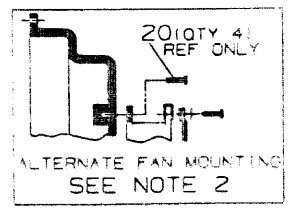
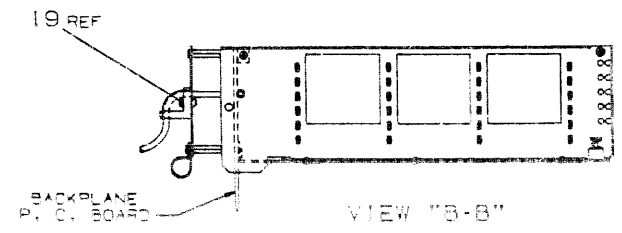
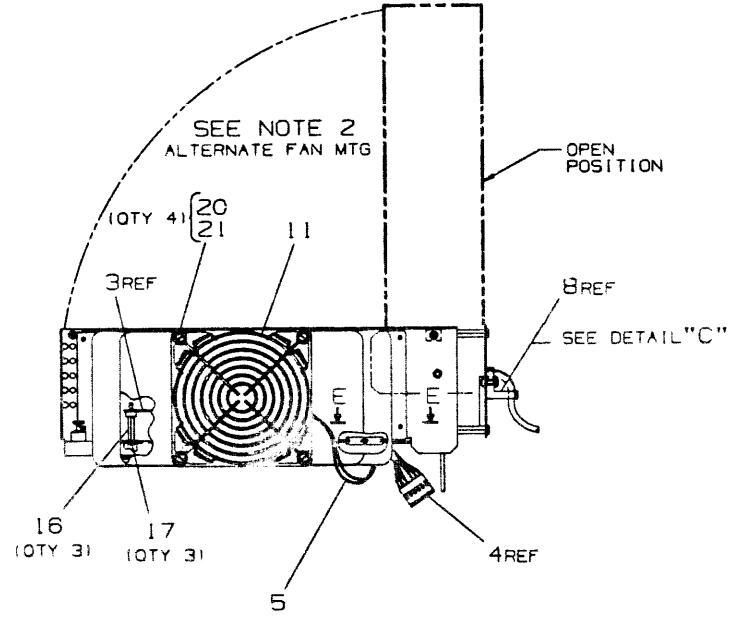
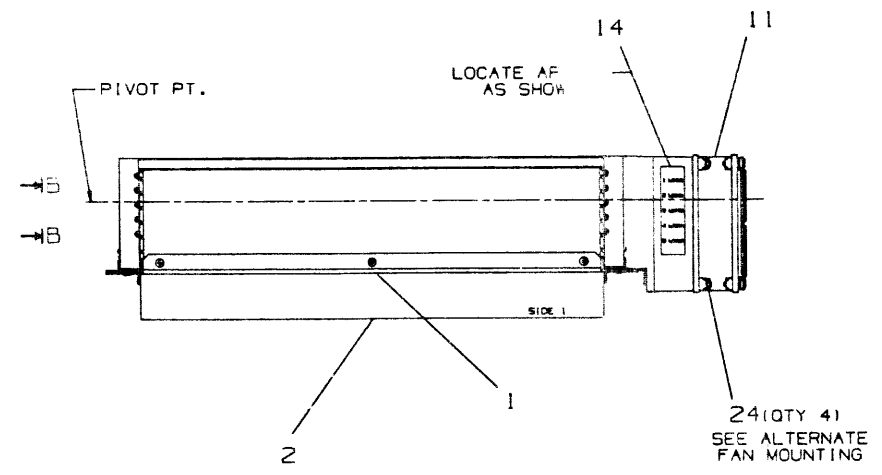
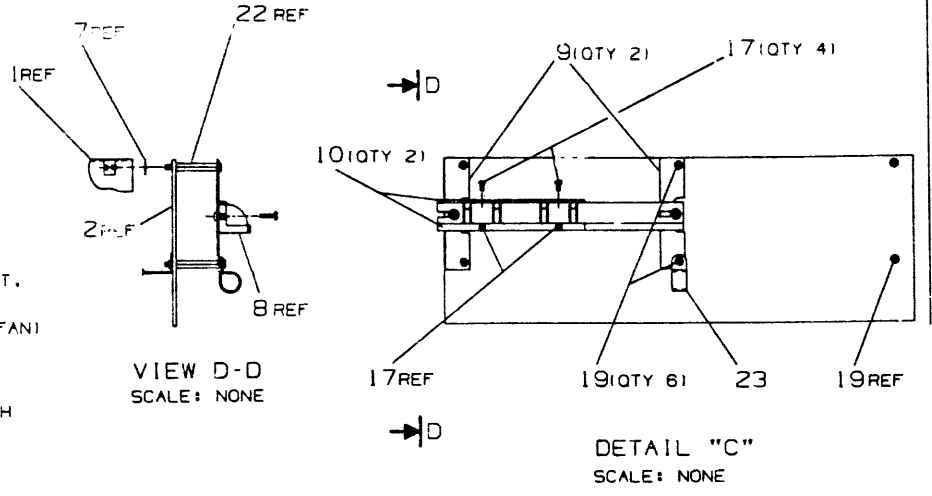
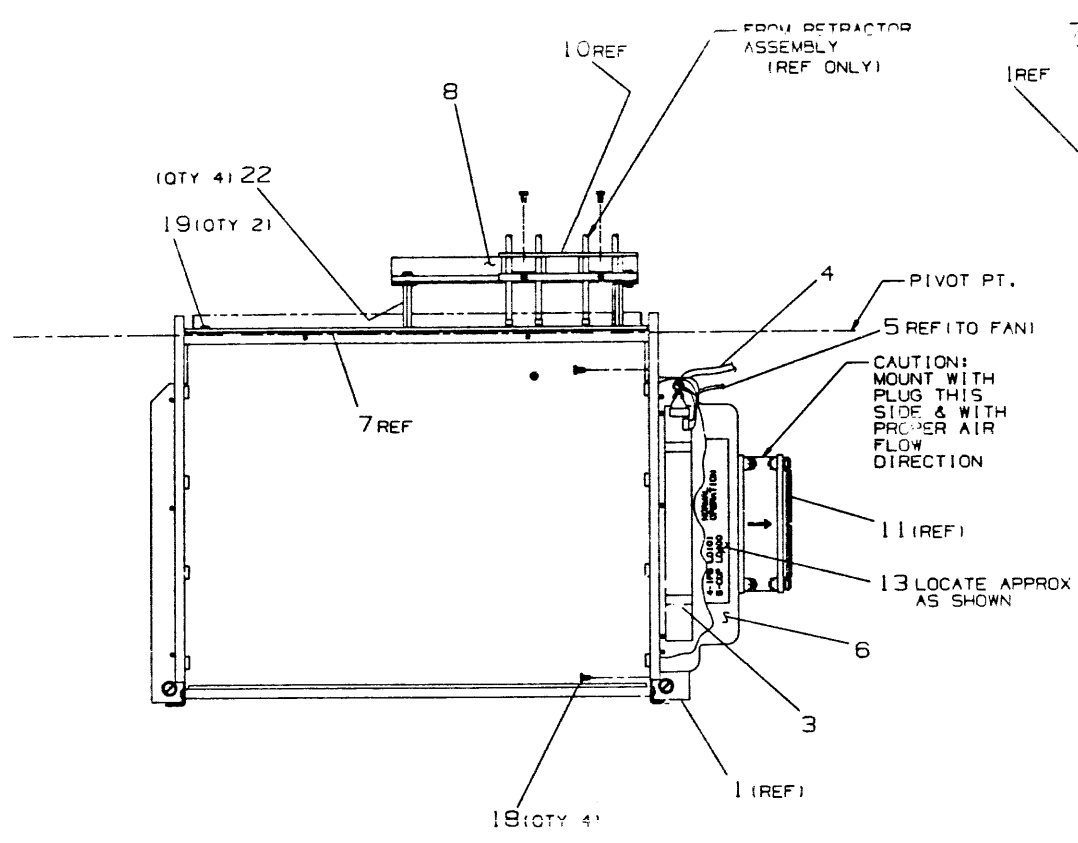
REVISION HISTORY		BASIC PART NO: 7014250		DRN: J.FERGUSON	DATE: 26-APR-83	D I G I T A L		
ENG	ECO NUMBER	REV	SECTION A OF A	CHK'D: M.NORMAND	DATE: 26-APR-83	TITLE PARTS LIST		
	INITIAL	B	SECTION VARIATION INDEX	DES.ENG.: R.EDGAR	DATE: 26-APR-83	CABLE, POWER (RTR MEMORY BLK)		
			[A] 01,OK,1F	RESP.ENG.: R.EDGAR	DATE: 26-APR-83	DOCUMENT NUMBER		
			[B]	MFG.ENG.: M.MILAZZO	DATE: 26-APR-83	SIZE	CODE	NUMBER
			[C]	ASSEMBLY NUMBER:	TOP DOCUMENT NUMBER:	K	PL	7014250-0-DBP
			[D]	E-UA-11780-0-0	B-DD-11780-0-0			FILE NAME: Z5537B.PLS
			[E]					EDIT # 7
			[F]					

"THIS DRAWING AND SPECIFICATIONS HEREIN, ARE THE PROPERTY OF DIGITAL EQUIPMENT CORPORATION AND SHALL NOT BE REPRODUCED OR COPIED OR USED IN WHOLE OR IN PART AS THE BASIS FOR THE MANUFACTURE OR SALE OF ITEMS WITHOUT WRITTEN PERMISSION. COPYRIGHT (C) 1983. DIGITAL EQUIPMENT CORPORATION "

THIS DRAWING AND SPECIFICATIONS, HEREINAFTER THE PROPERTY OF DIGITAL EQUIPMENT CORPORATION AND SHALL NOT BE REPRODUCED OR COPIED OR USED IN WHOLE OR IN PART AS THE BASIS FOR THE MANUFACTURE OF ANY OF THE ITEMS HEREIN WITHOUT WRITTEN PERMISSION. COPYRIGHT © 1983 DIGITAL EQUIPMENT CORPORATION

LEGEND		
PART NO.	REV	VARIATION
7020408-01	C1	AS SHOWN

- NOTES:
- PASS INDIVIDUAL FAN POWER CONNECTOR THRU GROMMET, ITEM 15, AND INSTALL IN SPECIAL HOLE SIDE BY SIDE WITH GROMMET FROM SENSOR CABLE ASSY.
 - IF PLENUM HAS MOLDED-IN THREADED INSERTS: USE 9000049-32 (QTY 4)



FILE NAME: CARDCAGEASSY-C

LAYER 2: FORMAT LAYER
LAYER 1: WORK LAYER

PLOT AT: .475

CAUTION: OFF-SHEET PARTS LIST EXISTS
SEE K-PL-7020408-0-DBP
(Z5919)

DESCRIPTION	DRAWING NO.	PART NO.	QTY
UNLESS OTHERWISE SPECIFIED DIMENSIONS ARE IN INCHES AND THE FOLLOWING TOLERANCES APPLY (PER DEC STD 114)			
DIMENSION RANGE IN INCHES			
0.000 - 0.250	±.000	0.250 - 0.500	±.001
0.500 - 1.000	±.002	1.000 - 2.000	±.003
2.000 - 3.000	±.004	3.000 - 4.000	±.005
4.000 - 6.000	±.006	6.000 - 10.000	±.008
10.000 - 18.000	±.010	18.000 - 30.000	±.012
30.000 - 48.000	±.015	48.000 - 72.000	±.018
72.000 - 120.000	±.020	120.000 - 180.000	±.025
180.000 - 300.000	±.030	300.000 - 480.000	±.035
480.000 - 720.000	±.040	720.000 - 1080.000	±.045
1080.000 - 1440.000	±.050	1440.000 - 2160.000	±.055
2160.000 - 3600.000	±.060	3600.000 - 5400.000	±.065
5400.000 - 8100.000	±.070	8100.000 - 10800.000	±.075
10800.000 - 16200.000	±.080	16200.000 - 21600.000	±.085
21600.000 - 32400.000	±.090	32400.000 - 43200.000	±.095
43200.000 - 64800.000	±.100	64800.000 - 86400.000	±.105
86400.000 - 129600.000	±.110	129600.000 - 172800.000	±.115
172800.000 - 259200.000	±.120	259200.000 - 345600.000	±.125
345600.000 - 518400.000	±.130	518400.000 - 691200.000	±.135
691200.000 - 1036800.000	±.140	1036800.000 - 1382400.000	±.145
1382400.000 - 2073600.000	±.150	2073600.000 - 2764800.000	±.155
2764800.000 - 4147200.000	±.160	4147200.000 - 5433600.000	±.165
5433600.000 - 8150400.000	±.170	8150400.000 - 10800000.000	±.175
10800000.000 - 16200000.000	±.180	16200000.000 - 21600000.000	±.185
21600000.000 - 32400000.000	±.190	32400000.000 - 43200000.000	±.195
43200000.000 - 64800000.000	±.200	64800000.000 - 86400000.000	±.205
86400000.000 - 129600000.000	±.210	129600000.000 - 172800000.000	±.215
172800000.000 - 259200000.000	±.220	259200000.000 - 345600000.000	±.225
345600000.000 - 518400000.000	±.230	518400000.000 - 691200000.000	±.235
691200000.000 - 1036800000.000	±.240	1036800000.000 - 1382400000.000	±.245
1382400000.000 - 2073600000.000	±.250	2073600000.000 - 2764800000.000	±.255
2764800000.000 - 4147200000.000	±.260	4147200000.000 - 5433600000.000	±.265
5433600000.000 - 8150400000.000	±.270	8150400000.000 - 10800000000.000	±.275
10800000000.000 - 16200000000.000	±.280	16200000000.000 - 21600000000.000	±.285
21600000000.000 - 32400000000.000	±.290	32400000000.000 - 43200000000.000	±.295
43200000000.000 - 64800000000.000	±.300	64800000000.000 - 86400000000.000	±.305
86400000000.000 - 129600000000.000	±.310	129600000000.000 - 172800000000.000	±.315
172800000000.000 - 259200000000.000	±.320	259200000000.000 - 345600000000.000	±.325
345600000000.000 - 518400000000.000	±.330	518400000000.000 - 691200000000.000	±.335
691200000000.000 - 1036800000000.000	±.340	1036800000000.000 - 1382400000000.000	±.345
1382400000000.000 - 2073600000000.000	±.350	2073600000000.000 - 2764800000000.000	±.355
2764800000000.000 - 4147200000000.000	±.360	4147200000000.000 - 5433600000000.000	±.365
5433600000000.000 - 8150400000000.000	±.370	8150400000000.000 - 10800000000000.000	±.375
10800000000000.000 - 16200000000000.000	±.380	16200000000000.000 - 21600000000000.000	±.385
21600000000000.000 - 32400000000000.000	±.390	32400000000000.000 - 43200000000000.000	±.395
43200000000000.000 - 64800000000000.000	±.400	64800000000000.000 - 86400000000000.000	±.405
86400000000000.000 - 129600000000000.000	±.410	129600000000000.000 - 172800000000000.000	±.415
172800000000000.000 - 259200000000000.000	±.420	259200000000000.000 - 345600000000000.000	±.425
345600000000000.000 - 518400000000000.000	±.430	518400000000000.000 - 691200000000000.000	±.435
691200000000000.000 - 1036800000000000.000	±.440	1036800000000000.000 - 1382400000000000.000	±.445
1382400000000000.000 - 2073600000000000.000	±.450	2073600000000000.000 - 2764800000000000.000	±.455
2764800000000000.000 - 4147200000000000.000	±.460	4147200000000000.000 - 5433600000000000.000	±.465
5433600000000000.000 - 8150400000000000.000	±.470	8150400000000000.000 - 10800000000000000.000	±.475
10800000000000000.000 - 16200000000000000.000	±.480	16200000000000000.000 - 21600000000000000.000	±.485
21600000000000000.000 - 32400000000000000.000	±.490	32400000000000000.000 - 43200000000000000.000	±.495
43200000000000000.000 - 64800000000000000.000	±.500	64800000000000000.000 - 86400000000000000.000	±.505
86400000000000000.000 - 129600000000000000.000	±.510	129600000000000000.000 - 172800000000000000.000	±.515
172800000000000000.000 - 259200000000000000.000	±.520	259200000000000000.000 - 345600000000000000.000	±.525
345600000000000000.000 - 518400000000000000.000	±.530	518400000000000000.000 - 691200000000000000.000	±.535
691200000000000000.000 - 1036800000000000000.000	±.540	1036800000000000000.000 - 1382400000000000000.000	±.545
1382400000000000000.000 - 2073600000000000000.000	±.550	2073600000000000000.000 - 2764800000000000000.000	±.555
2764800000000000000.000 - 4147200000000000000.000	±.560	4147200000000000000.000 - 5433600000000000000.000	±.565
5433600000000000000.000 - 8150400000000000000.000	±.570	8150400000000000000.000 - 10800000000000000000.000	±.575
10800000000000000000.000 - 16200000000000000000.000	±.580	16200000000000000000.000 - 21600000000000000000.000	±.585
21600000000000000000.000 - 32400000000000000000.000	±.590	32400000000000000000.000 - 43200000000000000000.000	±.595
43200000000000000000.000 - 64800000000000000000.000	±.600	64800000000000000000.000 - 86400000000000000000.000	±.605
86400000000000000000.000 - 129600000000000000000.000	±.610	129600000000000000000.000 - 172800000000000000000.000	±.615
172800000000000000000.000 - 259200000000000000000.000	±.620	259200000000000000000.000 - 345600000000000000000.000	±.625
345600000000000000000.000 - 518400000000000000000.000	±.630	518400000000000000000.000 - 691200000000000000000.000	±.635
691200000000000000000.000 - 1036800000000000000000.000	±.640	1036800000000000000000.000 - 1382400000000000000000.000	±.645
1382400000000000000000.000 - 2073600000000000000000.000	±.650	2073600000000000000000.000 - 2764800000000000000000.000	±.655
2764800000000000000000.000 - 4147200000000000000000.000	±.660	4147200000000000000000.000 - 5433600000000000000000.000	±.665
5433600000000000000000.000 - 8150400000000000000000.000	±.670	8150400000000000000000.000 - 10800000000000000000000.000	±.675
10800000000000000000000.000 - 16200000000000000000000.000	±.680	16200000000000000000000.000 - 21600000000000000000000.000	±.685
21600000000000000000000.000 - 32400000000000000000000.000	±.690	32400000000000000000000.000 - 43200000000000000000000.000	±.695
43200000000000000000000.000 - 64800000000000000000000.000	±.700	64800000000000000000000.000 - 86400000000000000000000.000	±.705
86400000000000000000000.000 - 129600000000000000000000.000	±.710	129600000000000000000000.000 - 172800000000000000000000.000	±.715
172800000000000000000000.000 - 259200000000000000000000.000	±.720	259200000000000000000000.000 - 345600000000000000000000.000	±.725
345600000000000000000000.000 - 518400000000000000000000.000	±.730	518400000000000000000000.000 - 691200000000000000000000.000	±.735
691200000000000000000000.000 - 1036800000000000000000000.000	±.740	1036800000000000000000000.000 - 1382400000000000000000000.000	±.745
1382400000000000000000000.000 - 2073600000000000000000000.000	±.750	2073600000000000000000000.000 - 2764800000000000000000000.000	±.755
2764800000000000000000000.000 - 4147200000000000000000000.000	±.760	4147200000000000000000000.000 - 5433600000000000000000000.000	±.765
5433600000000000000000000.000 - 8150400000000000000000000.000	±.770	8150400000000000000000000.000 - 10800000000000000000000000.000	±.775
10800000000000000000000000.000 - 16200000000000000000000000.000	±.780	16200000000000000000000000.000 - 21600000000000000000000000.000	±.785
21600000000000000000000000.000 - 32400000000000000000000000.000	±.790	32400000000000000000000000.000 - 43200000000000000000000000.000	±.795
43200000000000000000000000.000 - 64800000000000000000000000.000	±.800	64800000000000000000000000.000 - 86400000000000000000000000.000	±.805
86400000000000000000000000.000 - 129600000000000000000000000.000	±.810	129600000000000000000000000.000 - 172800000000000000000000000.000	±.815
172800000000000000000000000.000 - 259200000000000000000000000.000	±.820	259200000000000000000000000.000 - 345600000000000000000000000.000	±.825
345600000000000000000000000.000 - 518400000000000000000000000.000	±.830	518400000000000000000000000.000 - 691200000000000000000000000.000	±.835
691200000000000000000000000.000 - 1036800000000000000000000000.000	±.840	1036800000000000000000000000.000 - 1382400000000000000000000000.000	±.845
1382400000000000000000000000.000 - 2073600000000000000000000000.000	±.850	2073600000000000000000000000.000 - 2764800000000000000000000000.000	±.855
2764800000000000000000000000.000 - 4147200000000000000000000000.000	±.860	4147200000000000000000000000.000 - 543360000	

LINE	ITEM	TOP DOCUMENT	PART NUMBER	MIN REV	DESCRIPTION	QTY	PER VARIATION
1	1	E-IA-7020757-0-DBU	7020757-01	B	FRAME, CARD CAGE ASSY	1	
2	2	E-UA-5415555-0-0	5415555-00		CI750 BACKPLANE	1	
3	3	D-UA-5414340-0-0	5414340-00		AIR FLOW SENSOR	1	[F]
4	4	D-IA-7018162-0-0	7018162-1B		SENSOR POWER CABLE	1	
5	5	D-IA-7018163-0-0	7018163-0J		CABLE DC TO FAN	1	
6	6	E-IA-7427378-0-DBU	7427378-01	B	PLENUM	1	
7	7	D-MD-7427925-0-DBU	7427925-01		INSULATOR	1	
8	8	D-IA-7428581-0-DBU	7428581-01		BRACKET,L,STRAIN RELIEF	1	
9	9	C-IA-7428368-0-DBU	7428368-01		BRACKET,LEFT STRAIN RELIEF	2	
10	10	C-MD-7428580-0-DBU	7428580-01		PLATE,STRAIN RELIEF	2	
11	11	A-PS-1210263-0-0	1210263-00		GUARD,FINGER 4.125 X 4.125 MT [F]G H	1	
12	12	A-PS-1217556-0-0	1217556-01		FAN,TUBE AXIAL 4.5" 105CFM 12V	1	
13	13	A-PS-3621737-0-0	3621737-01		LABEL,MODULE UTILIZATION,CI750	1	
14	14	A-PS-3621737-0-0	3621737-02		LABEL,SIDE,CI750	1	
OUNB	15	RUBBER	9007017-00		GROMMET,R		
16	16		9009284-00		STANDOFF,MALE/FEMALE HEX	4-40	3
17	17		9000049-44		SCREW,SEMS PAN PHIL	4-	7
18	18		9000049-22		SCREW,SEMS PAN PHIL	6-	4
19	19		90000 [F]49-24		SCREW,SEMS PAN PHIL	6-	8
20	20		9000049-32		SCREW,SEMS PAN PHIL	6-	4
21	21		9006659-00		WASHER,FLAT S/PAS		4
22	22		9000001-29		STANDOFF,MALE/FEMALE HEX	6-3	4
23	23	9007087-00	CLAMP,CABLE,SCREW	MTD. 5/8 "	1		
24	24		9006560-00		NUT,HEX EXT TOOTH LCKWSHR	6-32	4

REVISION HISTORY			BASIC PART NO: 7020408			[F]		
ENG	ECO NUMBER	REV	SECTION A OF A	DRN:	B. PELLICCIA	DATE:	12-SEP-84	D I G I T A L
4--	CARD CAGE ASSY	A	SECTION VARIATION INDEX	CHK'D:	F. HALLIDAY	DATE:	12-SEP-8	TITLE PARTS LIST
RM	7020408-TW001	B	[A]01	DES.ENG:	B. MONDOR	DATE:	12-SEP-84	DOCUMENT NUMBER
RM	7020408-TW002	C	[B]	[F]		SIZE	CODE	NUMBER
			[C]	RESP.ENG.:	B. MONDOR	DATE:	12-SEP-84	K PL 7020408-0-DBP C
			[D]	MFG.ENG.:	B. SMITH	DATE:	12-SEP-84	RELEASE DATE: 11-OCT-84
			[E]	ASSEMBLY NUMBER:		TOP DOCUMENT NUMBER:		FILE NAME: Z5919C.PLS
			[F]	[F]		E-IA-7020408-0-DBU		EDIT #

"THIS DRAWING AND THE SPECIFICATIONS CONTAINED HEREIN ARE CONFIDENTIAL AND PROPRIETARY. THEY ARE THE PROPERTY OF DIGITAL EQUIPMENT CORPORATION AND SHALL NOT BE REPRODUCED OR COPIED OR USED IN WHOLE OR IN PART AS THE BASIS FOR THE MANUFACTURE OR SALE OF ITEMS WITHOUT WRITTEN PERMISSION. THIS IS AN UNPUBLISHED WORK PROTECTED UNDER THE FEDERAL COPYRIGHT LAWS."

AUTOMATED BY PRTLST.5R(55)

P A R T S L I S T

SHEET A1 OF A1

LINE	ITEM	TOP DOCUMENT	PART NUMBER	MIN REV	DESCRIPTION	QTY PER VARIATION
					VARIATION REVISION LEVEL:	A1
1	1	E-IA-7430186-0-DBU	7430186-01		CARD CAGE,BOTTOM	1
2	2	E-IA-7430187-0-DBU	7430187-01		CARD CAGE,FRONT	1
3	3	E-IA-7430188-0-DBU	7430188-01		CARD CAGE,REAR	1
4	4		9000030-01		RIVET,BLIND DOME 0.156DX0.300	6
5	5	C-MD-7423051-0-0	7423051-00		ROD,SUPPORT	1
6	6	D-MD-7428365-0-DBU	7428365-01		STRUT,HORIZONTAL	1
7	7		1211630-00		GUIDE,CARD ,POLMIDE,NATURAL	8
8	8		9000049-22		SCREW,SEMS PAN PHIL 6-	4

REVISION HISTORY			BASIC PART NO: 7020757		
ENG	ECO NUMBER	REV	SECTION A OF A	DRN: K.R. KEEFE	DATE: 23-MAR-83
---	INITIAL	A	SECTION VARIATION INDEX	CHK'D: F.HALLIDAY	DATE: 23-MAY-83
BM	7020757-TW001	B	[A]01	DES.ENG: BOB MONDOR	DATE: 23-MAY-83
			[B]	RESP.ENG.: BOB MONDOR	DATE: 23-MAY-83
			[C]	MFG.ENG.: BOB SMITH	DATE: 23-MAY-83
			[D]	ASSEMBLY NUMBER:	TOP DOCUMENT NUMBER:
			[E]	E-IA-7020757-0-DBU	E-IA-7020757-0-DBU
			[F]		FILE NAME: Z6719B.PLS
					RELEASE DATE: 31-OCT-84
					EDIT # 4

"THIS DRAWING AND THE SPECIFICATIONS CONTAINED HEREIN ARE CONFIDENTIAL AND PROPRIETARY. THEY ARE THE PROPERTY OF DIGITAL EQUIPMENT CORPORATION AND SHALL NOT BE REPRODUCED OR COPIED OR USED IN WHOLE OR IN PART AS THE BASIS FOR THE MANUFACTURE OR SALE OF ITEMS WITHOUT WRITTEN PERMISSION. THIS IS AN UNPUBLISHED WORK PROTECTED UNDER THE FEDERAL COPYRIGHT LAWS."

PARTS LIST

AUTOMATED BY PRTLST.3P(44)

LINE ITEM TOP DOCUMENT

MIN PART NUMBER REV DESCRIPTION VARIATION REVISION LEVEL:

QTY PER VARIATION 00

REFERENCE DESIGNATOR

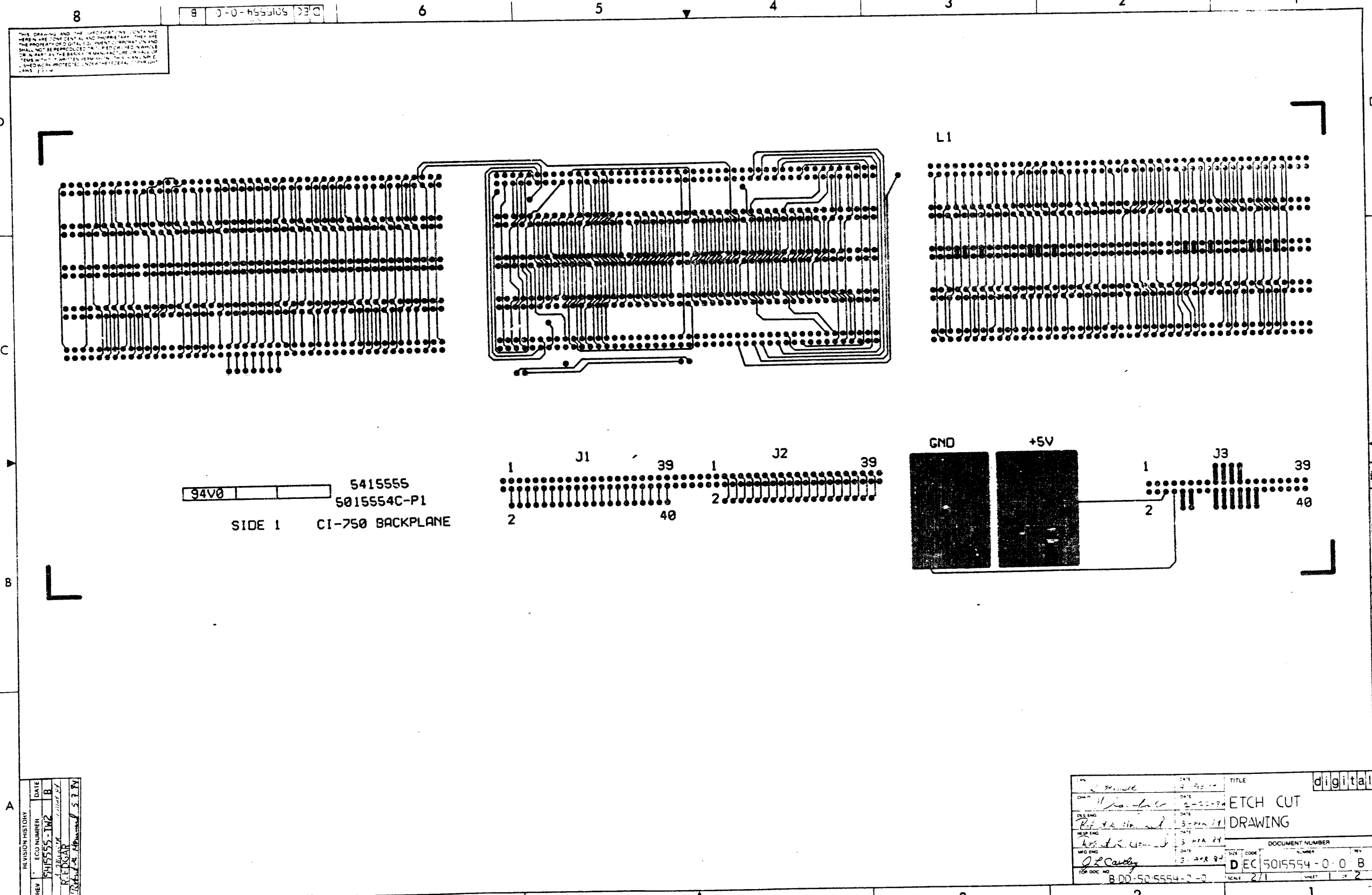
1	1	D-MD-5015554-0-0	5015554-00	DRILL AND ETCH BOARD	1	
2	2		1217869-00	PCB,HEADER 40PIN(2X20).100CC STR	3	J1,J2,J3
3	3		1218421-02	CARD EDGE 94PIN(2X47).100CC STR	3	J6,J7,J14
4	4		9010495-02	PLUG,KEYING F/.100X.100 PRESS F	1	
5	5		1218506-00	CONN,COAX BKP 50 OHM PLUG CLAM	4	
6	6		1214314-00	CONN,P+S 02SKT(1X02).100CC JUM	REF	W1-W8
7	7		7411881-01	DECAL	1	
8	8		1218421-03	CARD EDGE 94PIN(2X47).100CC STR	12	J8-J13,J15-J20
9	9		9905016-04	FOLDER,DIE CUT,SELF LOCK W/FOAM	REF	

REVISION HISTORY		BASIC PART NO: 5415555		DRN: F. SMART	DATE: 05-OCT-82	D I G I T A L	
ENG:	ECO NUMBER	REV	SECTION A OF A	CHK'D: F. GAROFALO	DATE: 05-OCT-82	TITLE PARTS LIST	
---	INITIAL	A	---	SECTION VARIATION INDEX		CI-750 BACKPLANE	
RE	5415555-TW001	B	[A] 00	DES.ENG: G. KOECKHOVEN	DATE: 05-OCT-82	DOCUMENT NUMBER	
GK	5415555-TW002	C	[B]	RESP.ENG.: G. KOECKHOVEN	DATE: 05-OCT-82	SIZE	CODE
			[C]	MFG.ENG.: M. LIVINGSTON	DATE: 5-9-83	K	PL
			[D]	ASSEMBLY NUMBER:	TOP DOCUMENT NUMBER:	5415555-0-DBP	
			[E]	E-UA-5415555-0-0	B-00-5415555-0-0	RELEASE DATE: 07-MAY-84	
			[F]			FILE NAME:	EDIT #
			[G]			Z3930C.PLS	18
			[H]				
			[I]				
			[J]				
			[K]				
			[L]				
			[M]				
			[N]				

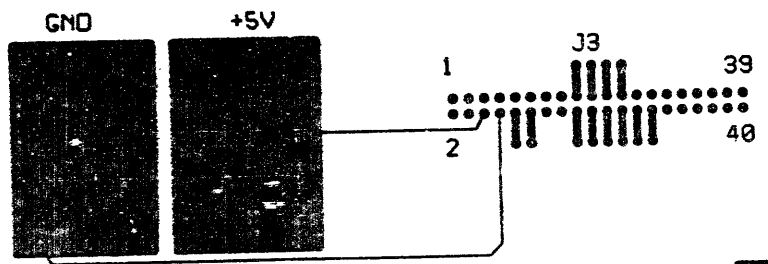
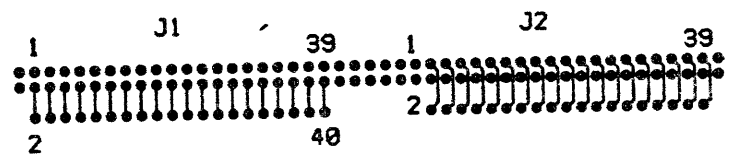
"THIS DRAWING AND THE SPECIFICATIONS CONTAINED HEREIN ARE CONFIDENTIAL AND PROPRIETARY. THEY ARE THE PROPERTY OF DIGITAL EQUIPMENT CORPORATION AND SHALL NOT BE REPRODUCED OR COPIED IN WHOLE OR--- IN PART AS THE BASIS FOR THE MANUFACTURE OR SALE OF ITEMS WITHOUT WRITTEN PERMISSION. THIS IS AN UNPUBLISHED WORK PROTECTED UNDER THE FEDERAL COPYRIGHT LAWS."

THIS DRAWING AND THE INFORMATION CONTAINED HEREIN ARE CONFIDENTIAL AND UNCLASSIFIED. THEY ARE THE PROPERTY OF DIGITAL EQUIPMENT CORPORATION AND SHALL NOT BE REPRODUCED OR TRANSMITTED IN ANY FORM OR BY ANY MEANS, ELECTRONIC OR MECHANICAL, INCLUDING PHOTOCOPYING, RECORDING, OR BY ANY INFORMATION STORAGE AND RETRIEVAL SYSTEM, WITHOUT PERMISSION IN WRITING FROM DIGITAL EQUIPMENT CORPORATION. THIS DRAWING IS UNCLASSIFIED AND IS NOT SUBJECT TO THE FEDERAL INFORMATION LAWS (7704)

DEC 5015554-0-0 B



94V0 5415555
5015554C-P1
SIDE 1 CI-750 BACKPLANE



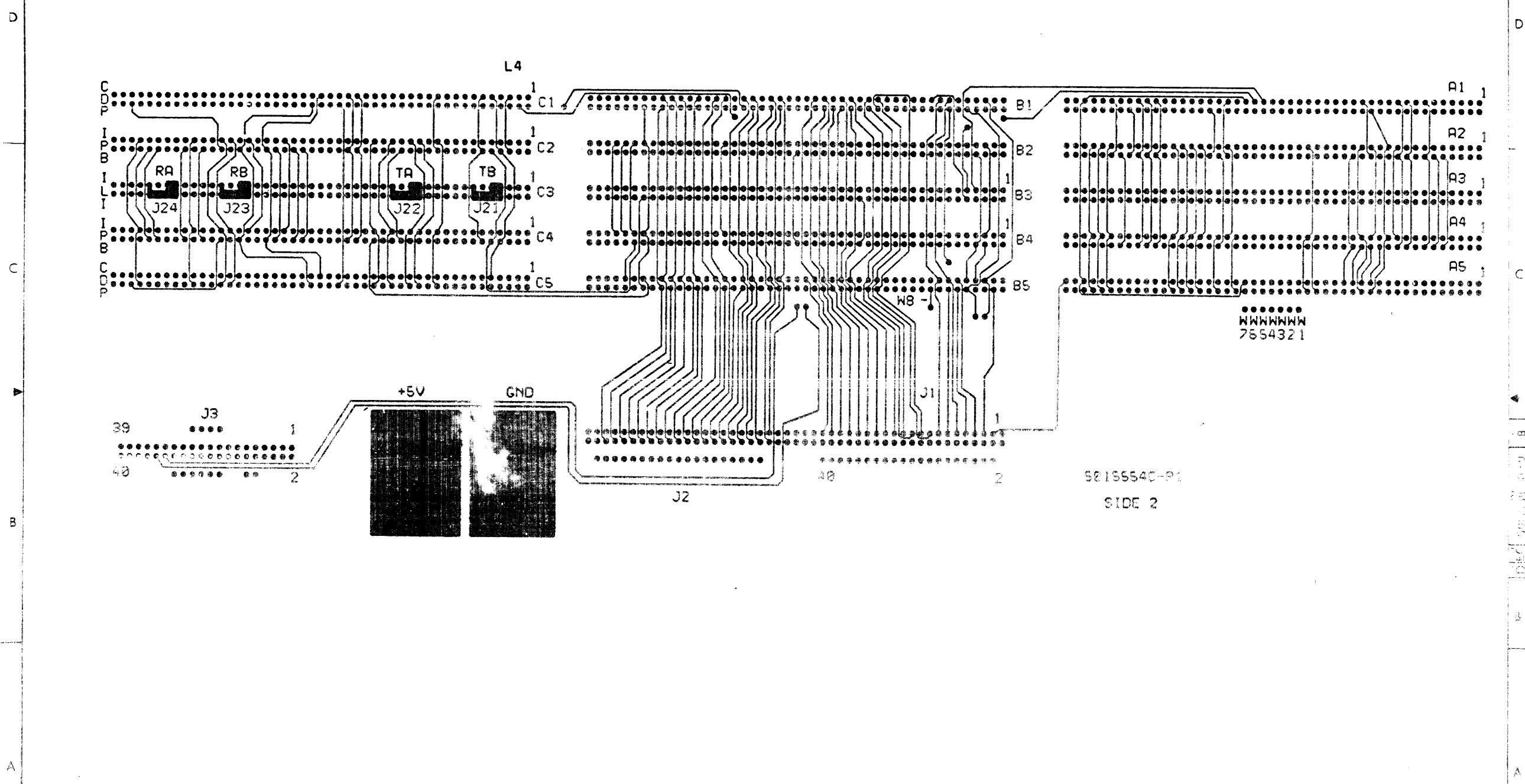
REVISION HISTORY	
REV	DATE
1	11/27/84
2	12/11/84
3	12/11/84
4	12/11/84
5	12/11/84
6	12/11/84
7	12/11/84
8	12/11/84

DATE	12/11/84	TITLE	digital
DESIGN	12/11/84	ETCH CUT	
CHKD	12/11/84	DRAWING	
DATE	12/11/84	DOCUMENT NUMBER	
DATE	12/11/84	SCALE	2/1
DATE	12/11/84	SHEET	1 OF 2
DATE	12/11/84	SCALE	2/1
DATE	12/11/84	SHEET	1 OF 2

DEC 5015554-0-0 B

8 6 5 4 3 2 1

PLEASE DO NOT SCALE THIS DRAWING
 ALL NOT BE DIMENSIONED TO THE CENTER OF THE PART
 IF THE DIMENSIONS ARE NOT DIMENSIONED TO THE CENTER OF THE PART
 DIMENSIONS TO THE CENTER OF THE PART



REVISION HISTORY		
DATE	ED NUMBER	REV

REV. B
 NUMBER 5414340-0
 CODE DD
 SIZE B

DRAWING NO.	NO. OF SHTS.	PART NO.	DESCRIPTION	REVISIONS															
				A	B														
		5414340-00	PART. REVISION	A	B														
D-UA-5414340-0-0	1		AIR FLOW SENSOR	A	B														
D-MD-5014339-0-0	3		DRILL AND ETCH DRAWING	A	A														
D-EG-5014339-0-0	2		ETCH CUT DRAWING	A	A														
D-CS-5414340-0-1	1		AIR FLOW SENSOR	A	B														
K-PL-5414340-0-DBP	1		AIR FLOW SENSOR	A	B														
		5014339	ETCHED BOARD	D	D														
K-PC-5414340-0-DBC			PC DESIGN DATA BASE	D	D														
A-SP-3700646-0-0	6	3700646-01	PKG MODULE (5413340) 54PACK	A	A														
A-SP-5414340-0-2	17		AIR FLOW SENSOR SPEC	A	B														

NOTES:

REVISIONS		DATE	CHG NO.	REV.
		9/17	TW002	B

"THIS DRAWING AND SPECIFICATIONS, HEREIN, ARE THE PROPERTY OF DIGITAL EQUIPMENT CORPORATION AND SHALL NOT BE REPRODUCED OR COPIED OR USED IN WHOLE OR IN PART AS THE BASIS FOR THE MANUFACTURE OR SALE OF ITEMS WITHOUT WRITTEN PERMISSION.
 COPYRIGHT © 1981 DIGITAL EQUIPMENT CORPORATION

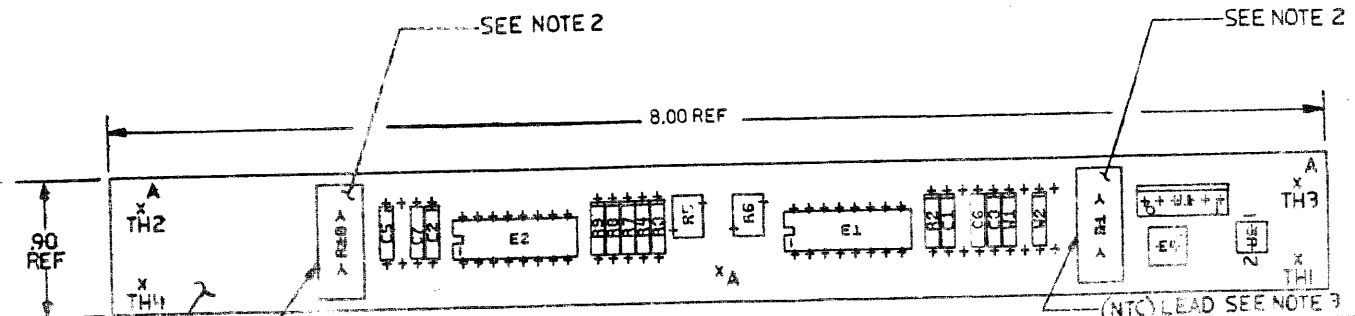
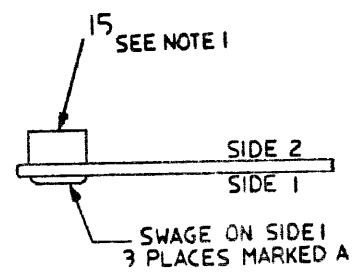


USED ON OPTION/MODEL
 BA11-Z
 DRN. *Ferguson* 8-10-81
 CHK'D *Ferguson* 8-10-81
 ENG. *W. J. ...* 9-12-81
 PROD. *W. J. ...* 9/18/81

TITLE
 AIR FLOW SENSOR
 SIZE CODE NUMBER REV.
 B DD 5414340-0 B
 SHEET OF 1

8 7 6 5 4 3 2 1

THIS DRAWING AND SPECIFICATIONS, HEREIN, ARE THE PROPERTY OF DIGITAL EQUIPMENT CORPORATION AND SHALL NOT BE REPRODUCED OR TRANSMITTED IN ANY FORM OR BY ANY MEANS, ELECTRONIC OR MECHANICAL, INCLUDING PHOTOCOPYING, RECORDING, OR BY ANY INFORMATION STORAGE AND RETRIEVAL SYSTEM, WITHOUT THE WRITTEN PERMISSION OF DIGITAL EQUIPMENT CORPORATION.
 1981



NOTES: 1. ALL ITEM IS FROM SIDE 2
 2. AFTER WAVE SOLDER & AFTER BOARD IS
 3. ALL DIMENSIONS MUST BE RAISED .125" TO .150"
 OFF PCB BOARD.
 3. NOTE ORIENTATION OF R1 AND R10
 (ITEM 10)

STEP	→ Y AXIS	STEP	TIMES
REPEAT	→ X AXIS	STEP	TIMES

CHANGE NO	REV	DATE	BY	CHK'D
1	A	12/17/81	J. DRINKWATER	
2	B	12/17/81	J. DRINKWATER	

SIGNATURES		DATE	TITLE
DRN.	<i>[Signature]</i>	2/19/81	
CHK'D	<i>[Signature]</i>	2/19/81	
MECH. ENG.	<i>[Signature]</i>	3/17/81	
PROJ. ENG.	<i>[Signature]</i>	9/17/81	
PROC. ENG.	<i>[Signature]</i>	9/19/81	
SCALE	2/1		
SHT.	1 OF 1		
NEXT WORKER PREV. 2-00-5414340-0			

SIZE CODE NUMBER
 3 10A 5414340-0-0 1REV

1 WO#170273



DIA 5414340-0-0

8 7 6 5 4 3 2 1

AUTOMATED BY PRTLST.3P(44)

PARTS LIST

SHEET A1 OF A1

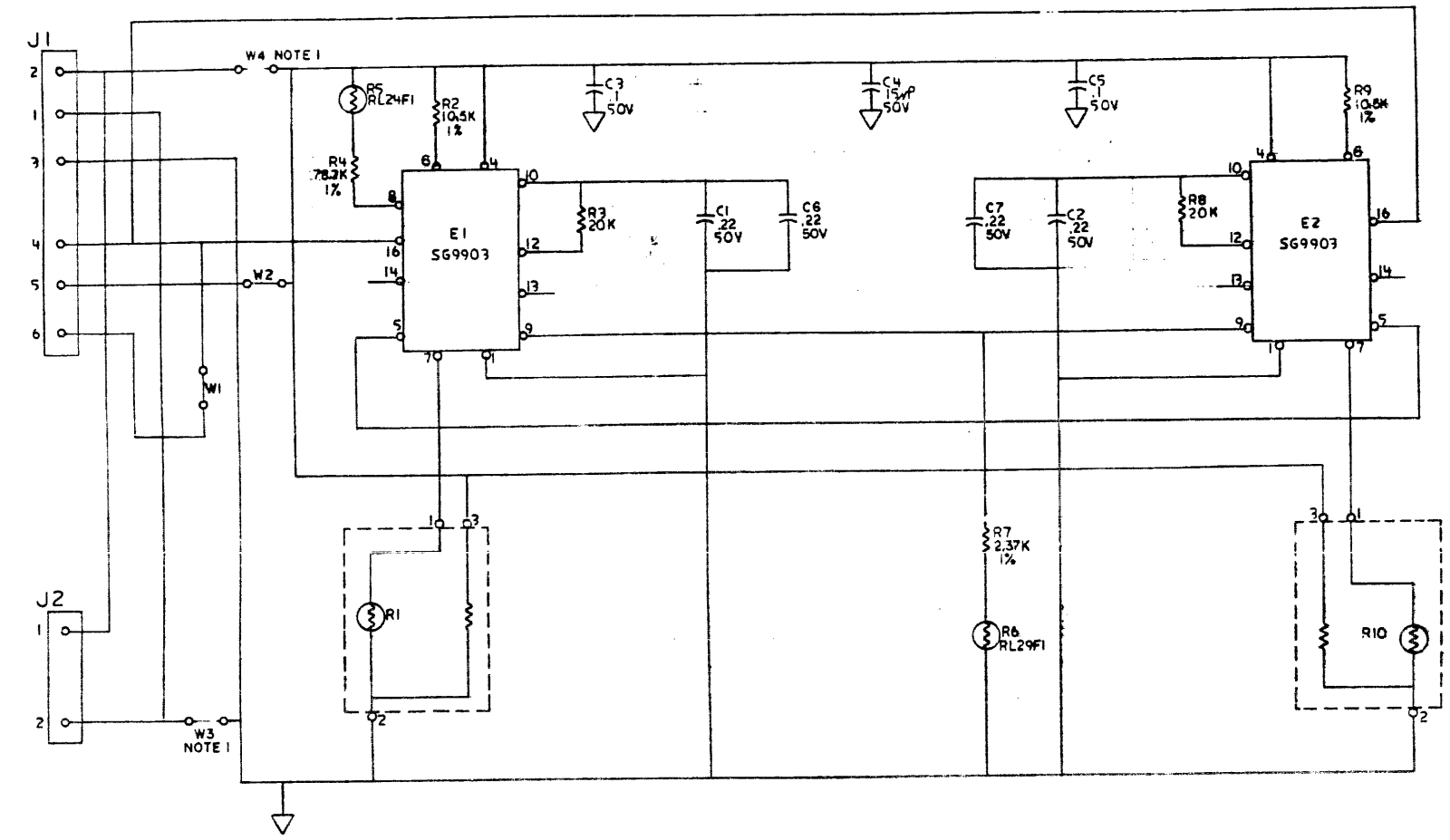
LINE	ITEM	TOP DOCUMENT	PART NUMBER	MIN REV	DESCRIPTION	VARIATION	REVISION LEVEL	QTY PER VARIATION	REFERENCE DESIGNATOR
1	1		5014339-00		DRILL & ETCH BD.			1	
2	2		1018000-01		15 MFD 25V +50-10 AL EL			1	C4
3	3		1013466-22		.1 MFD 50V +80-20% Z5U CER			2	C3,C5
4	4		1302391-00		20.0 K .25 W 5.0 % CF			2	R3,R8
5	5		1310632-00		2.37 K .25 W 1.0 % RN55D-F10			1	R7
6	6		1312987-00		10.50 K .25 W 1.0 % RN55D-F10			2	R2,R9
7	7		1314120-00		78.70 K .25 W 1.0 % RN55D-F10			1	R4
8	8		1317202-00		9.739K 7.0 % NTC THERM			1	R5
9	9		1317202-02		119.128K 7.0 % NTC THERM			1	R6
10	10		1321816-04		12.5 5V NTC THERM A			2	R1,R10
11	11		1218243-03		PCB HEADER 06PIN(1X06).100CC STR			1	J1
12	12		1218243-02		PCB HEADER 02PIN(1X02).100CC STR			1	J2
13	13		1918102-00		9903 AIRFLOW SENSOR			2	E1,E2
14	14		9009185-00		JUMPER, WIRE, INSULATED, BLACK B			2	W1,W2
15	15		9010292-00		STANDOFF, SWAGE MOUNT RND 4-4			3	
16	16	A-SP-3700646-0-0	3700646-01		PKG. MODULE 5414340 (54 PACK)			1	
17	17		1013466-11		.22 MFD 50V +80-20% Z5U CER			4	C1,C2,C6,C7

REVISION HISTORY			BASIC PART NO: 5414340		
ENG	ECO NUMBER	REV	SECTION A OF A	DRN: J.FERGUSON	DATE: 30-JAN-81
---	INITIAL	A	SECTION.VARIATION INDEX	CHK'D: F.GAROFALO	DATE: 30-JAN-81
DD	5414340-TW002	B	[A] 00	DES.ENG: D.DRINKWATER	DATE: 30-JAN-81
			[B]	RESP.ENG.: D.DRINKWATER	DATE: 30-JAN-81
			[C]	MFG.ENG.: W. WYCKOFF	DATE: 9-10-81
			[D]	ASSEMBLY NUMBER:	TOP DOCUMENT NUMBER:
			[E]	D-UA-5414340-0-0	B-DD-5414340-0-0
			[F]		FILE NAME:
			[G]		Z3015B.PLS
			[H]		EDIT #
			[I]		11
			[J]		
			[K]		
			[L]		
			[M]		
			[N]		

"THIS DRAWING AND THE SPECIFICATIONS CONTAINED HEREIN ARE CONFIDENTIAL AND PROPRIETARY. THEY ARE THE PROPERTY OF DIGITAL EQUIPMENT CORPORATION AND SHALL NOT BE REPRODUCED OR COPIED OR USED IN WHOLE OR IN PART AS THE BASIS FOR THE MANUFACTURE OR SALE OF ITEMS WITHOUT WRITTEN PERMISSION. THIS IS AN UNPUBLISHED WORK PROTECTED UNDER THE FEDERAL COPYRIGHT LAWS."

THIS DRAWING AND SPECIFICATIONS HEREIN ARE THE PROPERTY OF DIGITAL EQUIPMENT CORPORATION AND SHALL NOT BE REPRODUCED OR COPIED OR USED IN WHOLE OR IN PART AS THE BASIS FOR THE MANUFACTURE OR SALE OF ITEMS WITHOUT WRITTEN PERMISSION.
COPYRIGHT © 1978
DIGITAL EQUIPMENT CORPORATION

NOTES:
1. W3 & W4 JUMPERS ARE NOT USED ON THIS 5414340-00, VARIATION. W1 THROUGH W4 JUMPERS MAY BE USED OR NOT USED AS NECESSARY DEPENDING ON INTENDED APPLICATIONS. IF IT IS NECESSARY TO USE W3 & W4 JUMPERS AN ADDITIONAL VARIATION WILL HAVE TO BE CREATED.



REV	DATE	BY	CHKD
1	1/17/81	J. W.	J. W.
2	2/11/81	J. W.	J. W.
3	7/12/81	J. W.	J. W.
4	9/1/81	J. W.	J. W.
5	2/18/81	J. W.	J. W.

DESIGNED BY T. M. Gough	DATE 3/18/81	TITLE digital
CHECKED BY T. M. Gough	DATE 3/11/81	AIR FLOW SENSOR
DRAWN BY J. W.	DATE 7/12/81	DOCUMENT NUMBER DCS 5414340-0-1 B
DATE 9/1/81	DATE 2/18/81	SCALE NONE
DATE 2/18/81	DATE 2/18/81	SHEET 1

LINE ITEM	DOCUMENT NUMBER	PART NUMBER	DESCRIPTION	QUANTITY PER VARIATION	
				OM	1B
1	1	1218296-03	CONN, IDC 06SKT(1X06).100CC GOL	2	2
2	2	9009255-01	LABEL, POWER SUPPLY, 2-7/8" LG X	1	1
3	3	SEE NOTE	WIRE, 22AWG(07/30)IPVC 300V1	12	15
4	4	SEE NOTE	WIRE, 22AWG(07/30)IPVC 300V1	12	15
5	5	SEE NOTE	WIRE, 22AWG(07/30)IPVC 300V1	12	15
6	6	SEE NOTE	WIRE, 22AWG(07/30)IPVC 300V1	12	15
7	7	SEE NOTE	WIRE, 22AWG(07/30)IPVC 300V1	12	15
8	8		TIE, CABLE BUNDL. DIA 0- 3/4"=101	3	3
9	9		GROMMET, ROUND RUBBER	1	1
10	10	SEE NOTE	WIRE, 22AWG(07/30)IPVC 300V1	12	15

11 NOTE: ITEMS 3,4,5,6,7 AND 10 ARE IN INCHES LONG.

REVISION HISTORY		BASIC PART NO: 7018. 52		DRN:	P. TOUSIGNANT	DATE:	23-JUL-81	D I G I T A L			
ENG	ECO NUMBER	REV	SECTION A OF A	CHK'D:	A. ROCHA	DATE:	23-JUL-81	TITLE PARTS LIST			
RE	INITIAL 7018162-TW001	A B	SECTION. VARIATION INDEX [A] OM,1B	DES.ENG.:	R. MORIN	DATE:	23-JUL-81	SENSOR POWER CABLE			
			[B]	RESP.ENG.:	R. MORIN	DATE:	23-JUL-81	DOCUMENT NUMBER			
			[C]	MFG.ENG.:	S. CASTIGLIONE	DATE:	23-JUL-81	SIZE	CODE	NUMBER	REV
			[D]	ASSEMBLY NUMBER:	D-IA-7018162-0-0	POP DOCUMENT NUMBER:	E-AD-7018081-0-0	K	PL	7018162-0-DBP	B
			[E]			FILE NAME:	Z1852B.PLS				EDIT #
			[F]								5

"THIS DRAWING AND SPECIFICATIONS HEREIN, ARE THE PROPERTY OF DIGITAL EQUIPMENT CORPORATION AND SHALL NOT BE REPRODUCED OR COPIED OR USED IN WHOLE OR IN PART AS THE BASIS FOR THE MANUFACTURE OR SALE OF ITEMS WITHOUT WRITTEN PERMISSION. COPYRIGHT (C) 1983. DIGITAL EQUIPMENT CORPORATION "

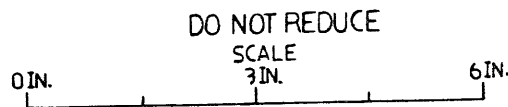
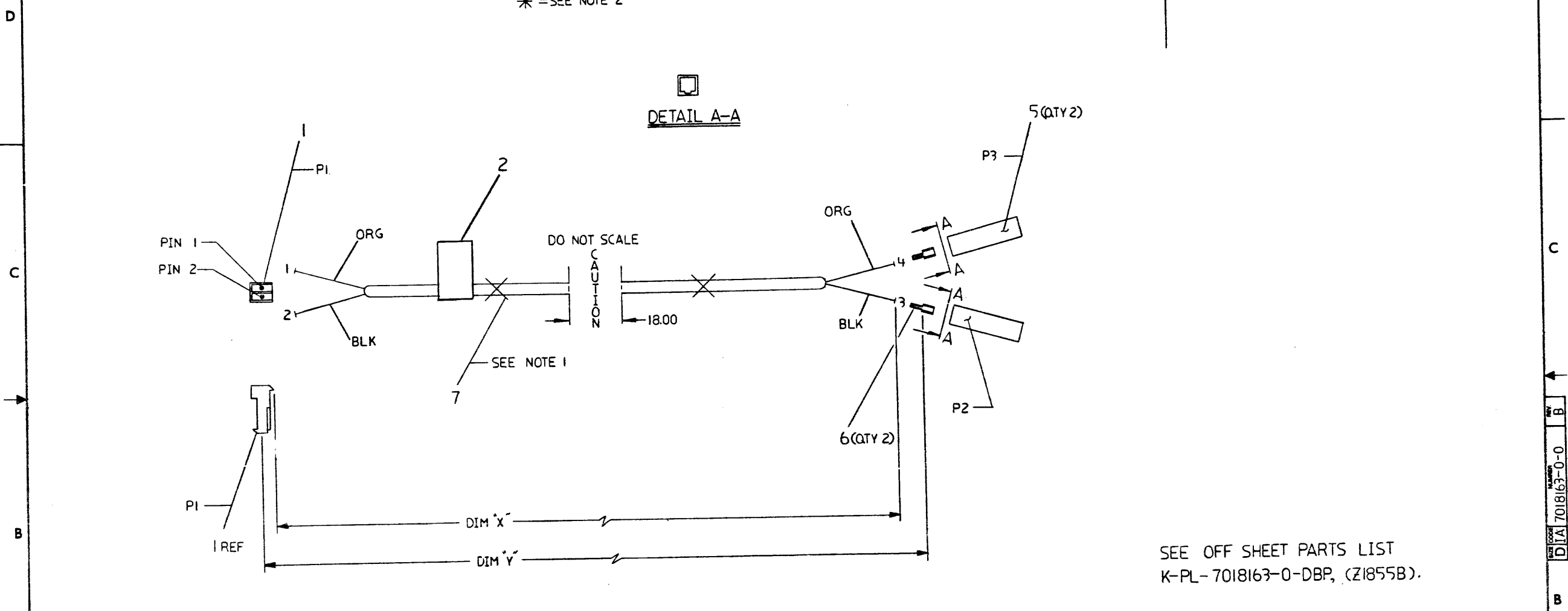
THIS DRAWING AND SPECIFICATIONS HEREIN ARE THE PROPERTY OF DIGITAL EQUIPMENT CORPORATION AND SHALL NOT BE REPRODUCED OR COPIED OR USED IN WHOLE OR IN PART AS THE BASIS FOR THE MANUFACTURE OR SALE OF ITEMS WITHOUT WRITTEN PERMISSION.
 COPYRIGHT © 1980 DIGITAL EQUIPMENT CORPORATION

WIRE TABLE									
ITEM NO.	DESCRIPTION	FROM POINT	CONNECTION WITH	TO POINT	CONNECTION WITH	LENGTH			
3	22 BLK	2	PI-2	3*	P2	38 IN. ± 1 IN.			
4	22 ORG	1	PI-1	4*	P3	38 IN. ± 1 IN.			

* = SEE NOTE 2

LEGEND		
NUMBER	DIA. X VARIATION	DIA. Y VARIATION
7018163-3B	37 IN. ± 1 IN.	38 IN. ± 1 IN.
7018163-0J	7 IN. ± 5 IN.	8 IN. ± 5 IN.

- NOTES:
- ATTACH CABLE TIES (ITEM 7) APPROX. EVERY 3 IN. AS SHOWN.
 - THE WIRE ENDS GOING TO P2 & P3 SHOULD BE STRIPPED. WIRE ENDS GOING TO P1 NEED NOT BE STRIPPED.



SEE OFF SHEET PARTS LIST
 K-PL-7018163-0-DBP, (Z1855B).

DATE	REVISION HISTORY	REV.
11/1/81	RELEASED FOR REV. 5	A
11/1/81	7018163-TW001	B
	7018163-0-DBP	

DESCRIPTION	DRAWING NO.	PART NO.	ITEM NO.
UNLESS OTHERWISE SPECIFIED DIMENSIONS ARE IN INCHES AND THE FOLLOWING TOLERANCES APPLY (PER DEC STD 114)			
INCHES TOLERANCES	ANGLES TYP-90°	APPLICABLE DIMENSION RANGE	DIMENSION RANGE IN INCHES
X ± .1			OVER 0 TO 0.25
XX ± .02			OVER 0.25 TO 1.25
XXX ± .005			OVER 1.25 TO 4.0
			OVER 4.0 TO 12.0
			OVER 12.0 TO 40.0
			OVER 40.0 TO 80.0
			OVER 80.0 TO 120.0
			OVER 120.0 TO 180.0
			OVER 180.0 TO 240.0
			OVER 240.0 TO 300.0
			OVER 300.0 TO 360.0
			OVER 360.0 TO 420.0
			OVER 420.0 TO 480.0
			OVER 480.0 TO 540.0
			OVER 540.0 TO 600.0
			OVER 600.0 TO 660.0
			OVER 660.0 TO 720.0
			OVER 720.0 TO 780.0
			OVER 780.0 TO 840.0
			OVER 840.0 TO 900.0
			OVER 900.0 TO 960.0
			OVER 960.0 TO 1020.0
			OVER 1020.0 TO 1080.0
			OVER 1080.0 TO 1140.0
			OVER 1140.0 TO 1200.0
			OVER 1200.0 TO 1260.0
			OVER 1260.0 TO 1320.0
			OVER 1320.0 TO 1380.0
			OVER 1380.0 TO 1440.0
			OVER 1440.0 TO 1500.0
			OVER 1500.0 TO 1560.0
			OVER 1560.0 TO 1620.0
			OVER 1620.0 TO 1680.0
			OVER 1680.0 TO 1740.0
			OVER 1740.0 TO 1800.0
			OVER 1800.0 TO 1860.0
			OVER 1860.0 TO 1920.0
			OVER 1920.0 TO 1980.0
			OVER 1980.0 TO 2040.0
			OVER 2040.0 TO 2100.0
			OVER 2100.0 TO 2160.0
			OVER 2160.0 TO 2220.0
			OVER 2220.0 TO 2280.0
			OVER 2280.0 TO 2340.0
			OVER 2340.0 TO 2400.0
			OVER 2400.0 TO 2460.0
			OVER 2460.0 TO 2520.0
			OVER 2520.0 TO 2580.0
			OVER 2580.0 TO 2640.0
			OVER 2640.0 TO 2700.0
			OVER 2700.0 TO 2760.0
			OVER 2760.0 TO 2820.0
			OVER 2820.0 TO 2880.0
			OVER 2880.0 TO 2940.0
			OVER 2940.0 TO 3000.0
			OVER 3000.0 TO 3060.0
			OVER 3060.0 TO 3120.0
			OVER 3120.0 TO 3180.0
			OVER 3180.0 TO 3240.0
			OVER 3240.0 TO 3300.0
			OVER 3300.0 TO 3360.0
			OVER 3360.0 TO 3420.0
			OVER 3420.0 TO 3480.0
			OVER 3480.0 TO 3540.0
			OVER 3540.0 TO 3600.0
			OVER 3600.0 TO 3660.0
			OVER 3660.0 TO 3720.0
			OVER 3720.0 TO 3780.0
			OVER 3780.0 TO 3840.0
			OVER 3840.0 TO 3900.0
			OVER 3900.0 TO 3960.0
			OVER 3960.0 TO 4020.0
			OVER 4020.0 TO 4080.0
			OVER 4080.0 TO 4140.0
			OVER 4140.0 TO 4200.0
			OVER 4200.0 TO 4260.0
			OVER 4260.0 TO 4320.0
			OVER 4320.0 TO 4380.0
			OVER 4380.0 TO 4440.0
			OVER 4440.0 TO 4500.0
			OVER 4500.0 TO 4560.0
			OVER 4560.0 TO 4620.0
			OVER 4620.0 TO 4680.0
			OVER 4680.0 TO 4740.0
			OVER 4740.0 TO 4800.0
			OVER 4800.0 TO 4860.0
			OVER 4860.0 TO 4920.0
			OVER 4920.0 TO 4980.0
			OVER 4980.0 TO 5040.0
			OVER 5040.0 TO 5100.0
			OVER 5100.0 TO 5160.0
			OVER 5160.0 TO 5220.0
			OVER 5220.0 TO 5280.0
			OVER 5280.0 TO 5340.0
			OVER 5340.0 TO 5400.0
			OVER 5400.0 TO 5460.0
			OVER 5460.0 TO 5520.0
			OVER 5520.0 TO 5580.0
			OVER 5580.0 TO 5640.0
			OVER 5640.0 TO 5700.0
			OVER 5700.0 TO 5760.0
			OVER 5760.0 TO 5820.0
			OVER 5820.0 TO 5880.0
			OVER 5880.0 TO 5940.0
			OVER 5940.0 TO 6000.0
			OVER 6000.0 TO 6060.0
			OVER 6060.0 TO 6120.0
			OVER 6120.0 TO 6180.0
			OVER 6180.0 TO 6240.0
			OVER 6240.0 TO 6300.0
			OVER 6300.0 TO 6360.0
			OVER 6360.0 TO 6420.0
			OVER 6420.0 TO 6480.0
			OVER 6480.0 TO 6540.0
			OVER 6540.0 TO 6600.0
			OVER 6600.0 TO 6660.0
			OVER 6660.0 TO 6720.0
			OVER 6720.0 TO 6780.0
			OVER 6780.0 TO 6840.0
			OVER 6840.0 TO 6900.0
			OVER 6900.0 TO 6960.0
			OVER 6960.0 TO 7020.0
			OVER 7020.0 TO 7080.0
			OVER 7080.0 TO 7140.0
			OVER 7140.0 TO 7200.0
			OVER 7200.0 TO 7260.0
			OVER 7260.0 TO 7320.0
			OVER 7320.0 TO 7380.0
			OVER 7380.0 TO 7440.0
			OVER 7440.0 TO 7500.0
			OVER 7500.0 TO 7560.0
			OVER 7560.0 TO 7620.0
			OVER 7620.0 TO 7680.0
			OVER 7680.0 TO 7740.0
			OVER 7740.0 TO 7800.0
			OVER 7800.0 TO 7860.0
			OVER 7860.0 TO 7920.0
			OVER 7920.0 TO 7980.0
			OVER 7980.0 TO 8040.0
			OVER 8040.0 TO 8100.0
			OVER 8100.0 TO 8160.0
			OVER 8160.0 TO 8220.0
			OVER 8220.0 TO 8280.0
			OVER 8280.0 TO 8340.0
			OVER 8340.0 TO 8400.0
			OVER 8400.0 TO 8460.0
			OVER 8460.0 TO 8520.0
			OVER 8520.0 TO 8580.0
			OVER 8580.0 TO 8640.0
			OVER 8640.0 TO 8700.0
			OVER 8700.0 TO 8760.0
			OVER 8760.0 TO 8820.0
			OVER 8820.0 TO 8880.0
			OVER 8880.0 TO 8940.0
			OVER 8940.0 TO 9000.0
			OVER 9000.0 TO 9060.0
			OVER 9060.0 TO 9120.0
			OVER 9120.0 TO 9180.0
			OVER 9180.0 TO 9240.0
			OVER 9240.0 TO 9300.0
			OVER 9300.0 TO 9360.0
			OVER 9360.0 TO 9420.0
			OVER 9420.0 TO 9480.0
			OVER 9480.0 TO 9540.0
			OVER 9540.0 TO 9600.0
			OVER 9600.0 TO 9660.0
			OVER 9660.0 TO 9720.0
			OVER 9720.0 TO 9780.0
			OVER 9780.0 TO 9840.0
			OVER 9840.0 TO 9900.0
			OVER 9900.0 TO 9960.0
			OVER 9960.0 TO 10020.0
			OVER 10020.0 TO 10080.0
			OVER 10080.0 TO 10140.0
			OVER 10140.0 TO 10200.0
			OVER 10200.0 TO 10260.0
			OVER 10260.0 TO 10320.0
			OVER 10320.0 TO 10380.0
			OVER 10380.0 TO 10440.0
			OVER 10440.0 TO 10500.0
			OVER 10500.0 TO 10560.0
			OVER 10560.0 TO 10620.0
			OVER 10620.0 TO 10680.0
			OVER 10680.0 TO 10740.0
			OVER 10740.0 TO 10800.0
			OVER 10800.0 TO 10860.0
			OVER 10860.0 TO 10920.0
			OVER 10920.0 TO 10980.0
			OVER 10980.0 TO 11040.0
			OVER 11040.0 TO 11100.0
			OVER 11100.0 TO 11160.0
			OVER 11160.0 TO 11220.0
			OVER 11220.0 TO 11280.0
			OVER 11280.0 TO 11340.0
			OVER 11340.0 TO 11400.0
			OVER 11400.0 TO 11460.0
			OVER 11460.0 TO 11520.0
			OVER 11520.0 TO 11580.0
			OVER 11580.0 TO 11640.0
			OVER 11640.0 TO 11700.0
			OVER 11700.0 TO 11760.0
			OVER 11760.0 TO 11820.0
			OVER 11820.0 TO 11880.0
			OVER 11880.0 TO 11940.0
			OVER 11940.0 TO 12000.0
			OVER 12000.0 TO 12060.0
			OVER 12060.0 TO 12120.0
			OVER 12120.0 TO 12180.0
			OVER 12180.0 TO 12240.0
			OVER 12240.0 TO 12300.0
			OVER 12300.0 TO 12360.0
			OVER 12360.0 TO 12420.0
			OVER 12420.0 TO 12480.0
			OVER 12480.0 TO 12540.0
			OVER 12540.0 TO 12600.0
			OVER 12600.0 TO 12660.0
			OVER 12660.0 TO 12720.0
			OVER 12720.0 TO 12780.0
			OVER 12780.0 TO 12840.0
			OVER 12840.0 TO 12900.0
			OVER 12900.0 TO 12960.0
			OVER 12960.0 TO 13020.0
			OVER 13020.0 TO 13080.0
			OVER 13080.0 TO 13140.0
			OVER 13140.0 TO 13200.0
			OVER 13200.0 TO 13260.0
			OVER 13260.0 TO 13320.0
			OVER 13320.0 TO 13380.0
			OVER 13380.0 TO 13440.0
			OVER 13440.0 TO 13500.0
			OVER 13500.0 TO 13560.0
			OVER 13560.0 TO 13620.0
			OVER 13620.0 TO 13680.0
			OVER 13680.0 TO 13740.0
			OVER 13740.0 TO 13800.0
			OVER 13800.0 TO 13860.0
			OVER 13860.0 TO 13920.0
			OVER 13920.0 TO 13980.0
			OVER 13980.0 TO 14040.0
			OVER 14040.0 TO 14100.0
			OVER 14100.0 TO 14160.0
			OVER 14160.0 TO 14220.0
			OVER 14220.0 TO 14280.0
			OVER 14280.0 TO 14340.0
			OVER 14340.0 TO 14400.0
			OVER 14400.0 TO 14460.0
			OVER 14460.0 TO 14520.0
			OVER 14520.0 TO 14580.0

AUTOMATED BY PRTLST.4Q(50)

PARTS LIST

SHEET A1 OF A1

LINE ITEM	DOCUMENT NUMBER	PART NUMBER	DESCRIPTION	QUANTITY PER VARIATION	
				38	0J
1	1	1218296-02	CONN, IDC 02SKT(1X02).100CC GOL	1	1
2	2	9009255-01	LABEL, POWER SUPPLY, 2-7/8" LG X	1	1
3	3 SEE NOTE 1	9107796-00	WIRE, 22AWG(07/30)IPVC 300V1	38	8
4	4 SEE NOTE 1	9107796-33	WIRE, 22AWG(07/30)IPVC 300V1	38	8
5	5	1210820-01	TERM, QUICK HSG, STR RECPTACLE .	2	2
6	6	1210820-03	TERM, QUICK .020TAB 22-18AWG	2	2
7	7	9007031-00	TIE, CABLE BUNDL. DIA 0- 3/4"=101	9	9

8 NOTE: 1. ITEMS 4 & 5 IN INCHES.

REVISION HISTORY			BASIC PART NO: 7018163		DRN: P. TOUSIGNANT		DATE: 23-JUL-81		DIGITAL			
ENG	ECO NUMBER	REV	SECTION A OF A		CHK'D: A. ROCHA		DATE: 23-JUL-81		TITLE PARTS LIST			
RE	7018163-TW001	B	SECTION VARIATION INDEX		DES. ENG.: R. MORIN		DATE: 23-JUL-81		CABLE, DC TO FAN			
			[A] 38,0J		RESP. ENG.: R. MORIN		DATE: 23-JUL-81		DOCUMENT NUMBER			
			[B]		MFG. ENG.: S. CASTIGLIONE		DATE: 23-JUL-81		SIZE	CODE	NUMBER	REV
			[C]		ASSEMBLY NUMBER:		TOP DOCUMENT NUMBER:		K	PL	7018163-0-DB ²	B
			[D]		D-IA-7018163-0-0		E-UA-BA11-Z-0		FILE NAME:		EDIT	
			[E]						Z1855B.PLS		4	
			[F]									

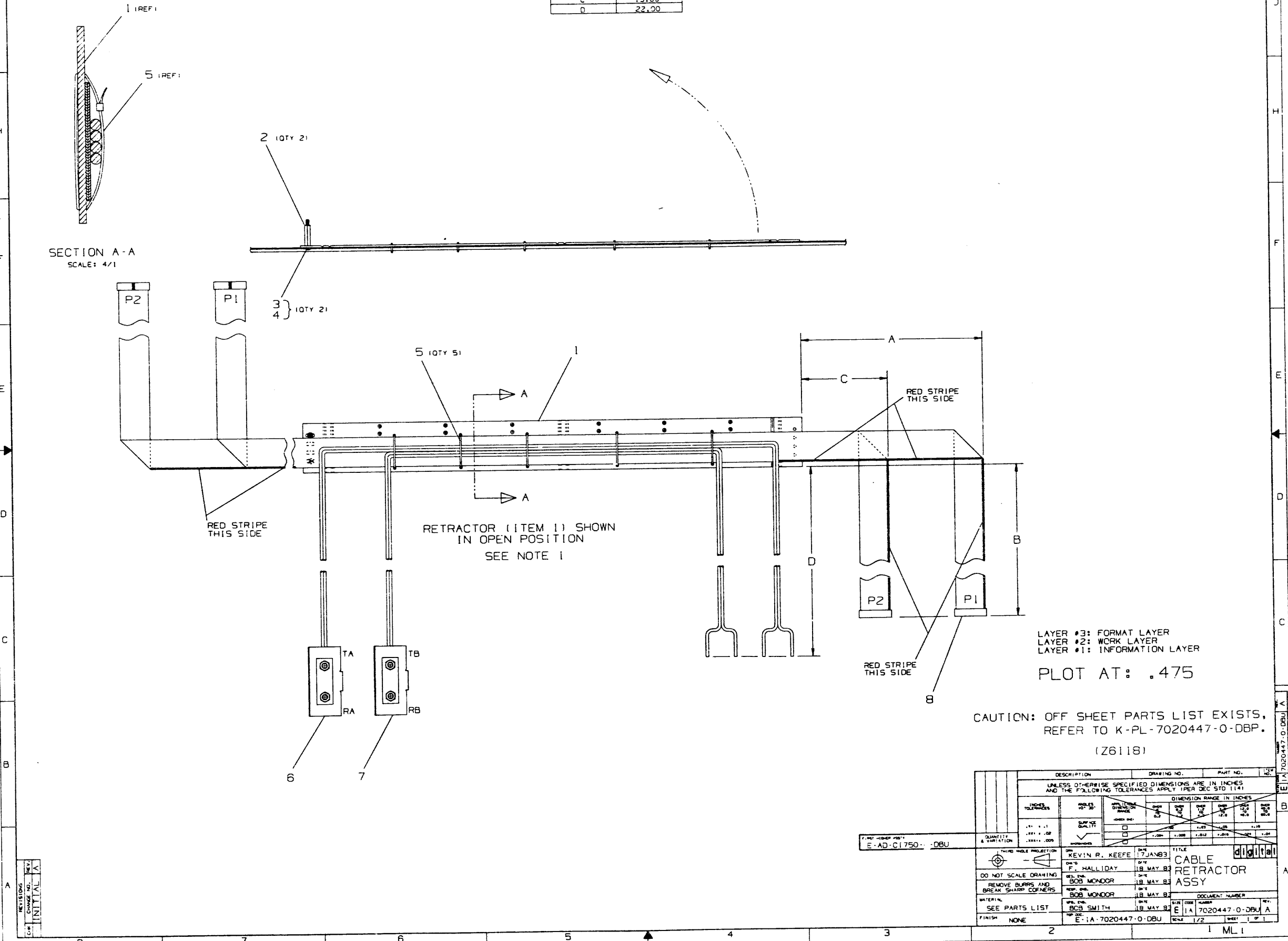
THIS DRAWING AND SPECIFICATIONS HEREIN, ARE THE PROPERTY OF DIGITAL EQUIPMENT CORPORATION AND SHALL NOT BE REPRODUCED OR COPIED OR USED IN WHOLE OR IN PART AS THE BASIS FOR THE MANUFACTURE OR SALE OF ITEMS WITHOUT WRITTEN PERMISSION. COPYRIGHT (C) 1983. DIGITAL EQUIPMENT CORPORATION "

THIS DRAWING AND SPECIFICATIONS, HEREIN, ARE THE PROPERTY OF DIGITAL EQUIPMENT CORPORATION AND SHALL NOT BE REPRODUCED OR COPIED OR USED IN WHOLE OR IN PART AS THE BASIS FOR THE MANUFACTURE OR SALE OF LIKE OR UNLIKE WITHOUT WRITTEN PERMISSION.
 1-1973 DIGITAL EQUIPMENT CORPORATION

CABLE EXTENSION	
TABULATION	DIM
A	17.50
B	3.00
C	15.00
D	22.00

LEGEND		
PART NO.	REV	VARIATION
7020447-01	A1	AS SHOWN

NOTES:
 1. DO NOT SECURE CABLES TIGHTLY TO RETRACTOR.



LAYER #3: FORMAT LAYER
 LAYER #2: WORK LAYER
 LAYER #1: INFORMATION LAYER

PLOT AT: .475

CAUTION: OFF SHEET PARTS LIST EXISTS,
 REFER TO K-PL-7020447-0-DBP.
 (Z6118)

QUANTITY & VARIATION	DESCRIPTION	DRAWING NO.	PART NO.	REV.
1	CABLE RETRACTOR ASSY	E-1A-7020447-0-DBU	7020447-0-DBU	A

UNLESS OTHERWISE SPECIFIED DIMENSIONS ARE IN INCHES AND THE FOLLOWING TOLERANCES APPLY (PER DEC STD 11A)	
DIMENSION RANGE IN INCHES	TOLERANCE
0 - .125	±.005
.125 - .250	±.004
.250 - .375	±.003
.375 - .500	±.002
.500 - .750	±.002
.750 - 1.000	±.002
1.000 - 1.500	±.003
1.500 - 2.000	±.004
2.000 - 3.000	±.005
3.000 - 4.000	±.006
4.000 - 6.000	±.008
6.000 - 10.000	±.010
10.000 - 18.000	±.012
18.000 - 30.000	±.015
30.000 - 48.000	±.020
48.000 - 72.000	±.025
72.000 - 120.000	±.030
120.000 - 180.000	±.035
180.000 - 300.000	±.040
300.000 - 480.000	±.050
480.000 - 720.000	±.060
720.000 - 1080.000	±.075
1080.000 - 1440.000	±.090
1440.000 - 1800.000	±.010

REV.	DATE	BY	CHKD.	DESCRIPTION
1	17 JAN 83	KEVIN R. KEEFE		ISSUE FOR PRODUCTION
2	18 MAY 83	F. HALLIDAY		DO NOT SCALE DRAWING
3	18 MAY 83	BOB MONDOR		REMOVE BURRS AND BREAK SHARP CORNERS
4	18 MAY 83	BOB MONDOR		MATERIAL
5	18 MAY 83	BOB SMITH		SEE PARTS LIST
6	18 MAY 83	BOB SMITH		FINISH NONE

REVISIONS
 CHANGE NO. INITIAL
 1 INITIAL A

E-1A-7020447-0-DBU A

LINE ITEM	DOCUMENT NUMBER	PART NUMBER	DESCRIPTION	QUANTITY PER VARIATION
1	D-MD-7428769-0-DBU	7428769-01	RETRACTOR,RIBBON CABLE	1
2		9000001-17	STANDOFF,MALE/FEMALE HEX 10-32	2
3		9006659-00	WASHER,FLAT STEEL	2
4		9010155-00	SCREW,SEMS PAN PHIL 6-	2
5		9009617-00	TIE,CABLE BUNDL.DIA 0-3"TYPE=101	5
6	D-AD-7020752-0-DBU	7020752-01	CABLE SET ASSY CI750 (T/RA)	1
7	D-AD-7020752-0-DBU	7020752-02	CABLE SET ASSY CI750 (T/RB)	1
8		7019602-00	HARNESS ASSY (CIP BUS)	1

REVISION HISTORY		BASIC PART NO: 7020447		DRN: K KEEFE	DATE: 25-JAN-83	D I G I T A L	
ENG:	ECO NUMBER	REV	SECTION A OF A	CHK'D: F HALLIDAY	DATE: 25-JAN-83	TITLE PARTS LIST	
	INITIAL	A	SECTION. VARIATION INDEX	DES.ENG.: B MONDOR	DATE: 25-JAN-83	CABLE RETRACTOR ASSY	
			[A] 01	RESP.ENG.: B MONDOR	DATE: 25-JAN-83	DOCUMENT NUMBER	
			[B]	MFG.ENG.: B SMITH	DATE: 25-JAN-83	SIZE: K	CODE: PL
			[C]	ASSEMBLY NUMBER:	TOP DOCUMENT NUMBER:	NUMBER	REV
			[D]	E-IA-7020447-0-DBU	E-IA-7020447-0-DBU	7020447-0-DBP	A
			[E]			FILE NAME:	EDIT #
			[F]			Z6188A.PLS	10

"THIS DRAWING AND SPECIFICATIONS HEREIN, ARE THE PROPERTY OF DIGITAL EQUIPMENT CORPORATION AND SHALL NOT BE REPRODUCED OR COPIED OR USED IN WHOLE OR IN PART AS THE BASIS FOR THE MANUFACTURE OR SALE OF ITEMS WITHOUT WRITTEN PERMISSION. COPYRIGHT (C) 1983. DIGITAL EQUIPMENT CORPORATION"

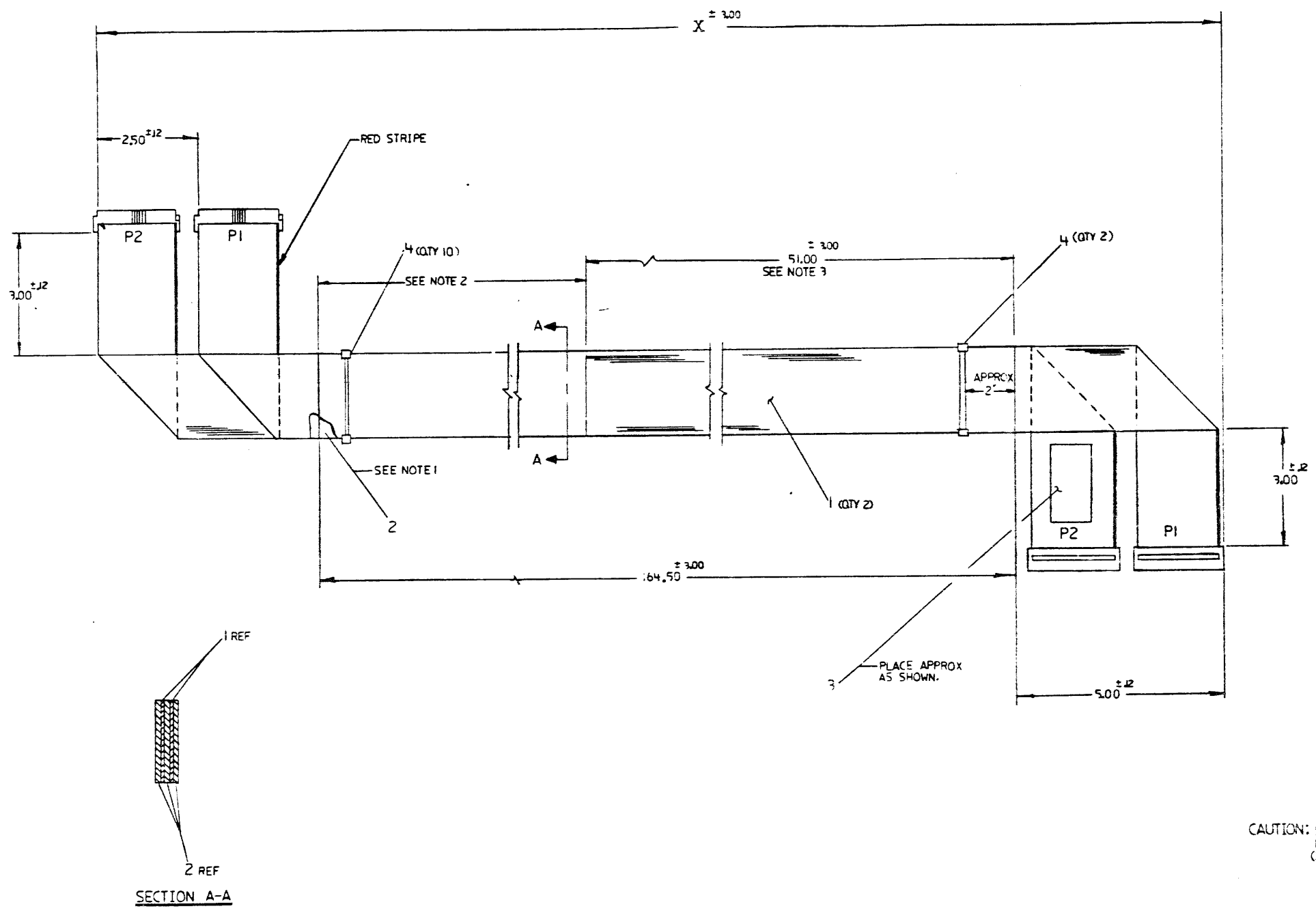
3. UNLESS OTHERWISE SPECIFIED, ALL DIMENSIONS ARE TO BE TAKEN TO THE CENTER OF THE PART UNLESS INDICATED OTHERWISE.

PART NUMBER	"X" DIM.
7019602-00	175.00 IN.
7019602-01	275.00 IN.

1. ITEM 2 TO BE INSTALLED BETWEEN CABLES AND ON EACH SIDE.
2. APPLY TIE WRAPS, ITEM 4, APPROX EVERY 26 INCHES, IN AREA SHOWN.
3. DO NOT INSTALL ITEM 2 IN THIS AREA, TYP BOTH SIDES.

J
H
F
E
D
C
B
A

J
H
F
E
D
C
B
A



CAUTION: SEE OFF SHEET PARTS LIST
K-PL-7019602-0-DBP
(25479A)

DESCRIPTION		DRAWING NO.		PART NO.	
UNLESS OTHERWISE SPECIFIED DIMENSIONS ARE IN INCHES AND THE FOLLOWING TOLERANCES APPLY (PER DEC STD 114)					
FINISH	ASSEMBLY	±.015	±.010	±.005	±.002
	WELDING	±.010	±.008	±.004	±.001
DIMENSIONS	OVERALL	±.010	±.008	±.004	±.001
	POSITION	±.010	±.008	±.004	±.001
HOLE	PERFECT	±.010	±.008	±.004	±.001
	DRILL	±.010	±.008	±.004	±.001
TOLERANCE	ASSEMBLY	±.010	±.008	±.004	±.001
	WELDING	±.010	±.008	±.004	±.001
QUANTITY & VARIATION	100 ±.000				
THIRD ANGLE PROJECTION					
DO NOT SCALE DRAWING					
REWORK: BLUR & BREAK SHARP CORNERS					
MATERIAL					
DATE	6-21-87				
DESIGNER	A. J. ...				
CHECKER	...				
TITLE	HARNESS ASSY. (CIPA BUS)				
DOCUMENT NUMBER	AD7019602-0-0				

AUTOMATED BY PRTLST.4Q(50)

PARTS LIST

SHEET A1 OF A1

LINE ITEM	DOCUMENT NUMBER	PART NUMBER	DESCRIPTION	QUANTITY PER VARIATION
1	1	C-IA-BC16B-0-0	BC05L-15 MODIFIED FOR PRESSPIN B	2
2	2	SEE NOTE	FOAM, TAPE, SINGLE SIDED 1/8 THK	400
3	3		LABEL, ID W/COPY VERTICAL	1
4	4		TIE, CABLE BUNDL. DIA 0-1-3/4"=101	12

5 NOTE: QTY OF ITEM 2 IS IN INCHES

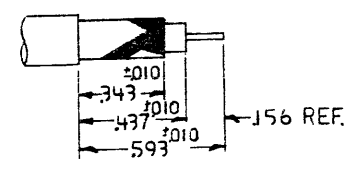
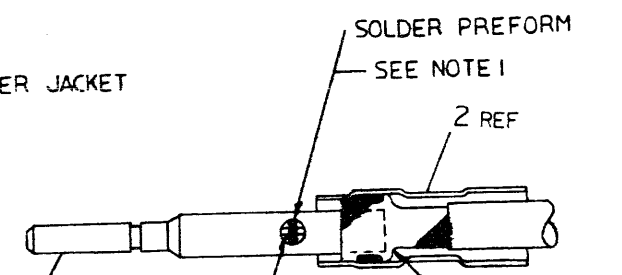
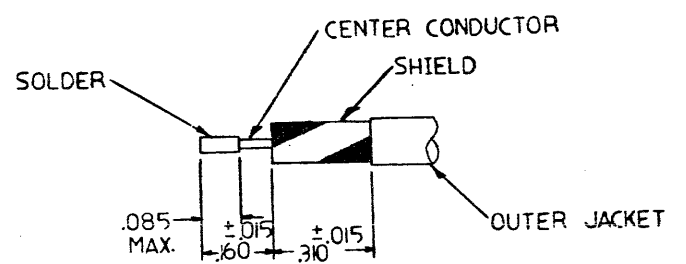
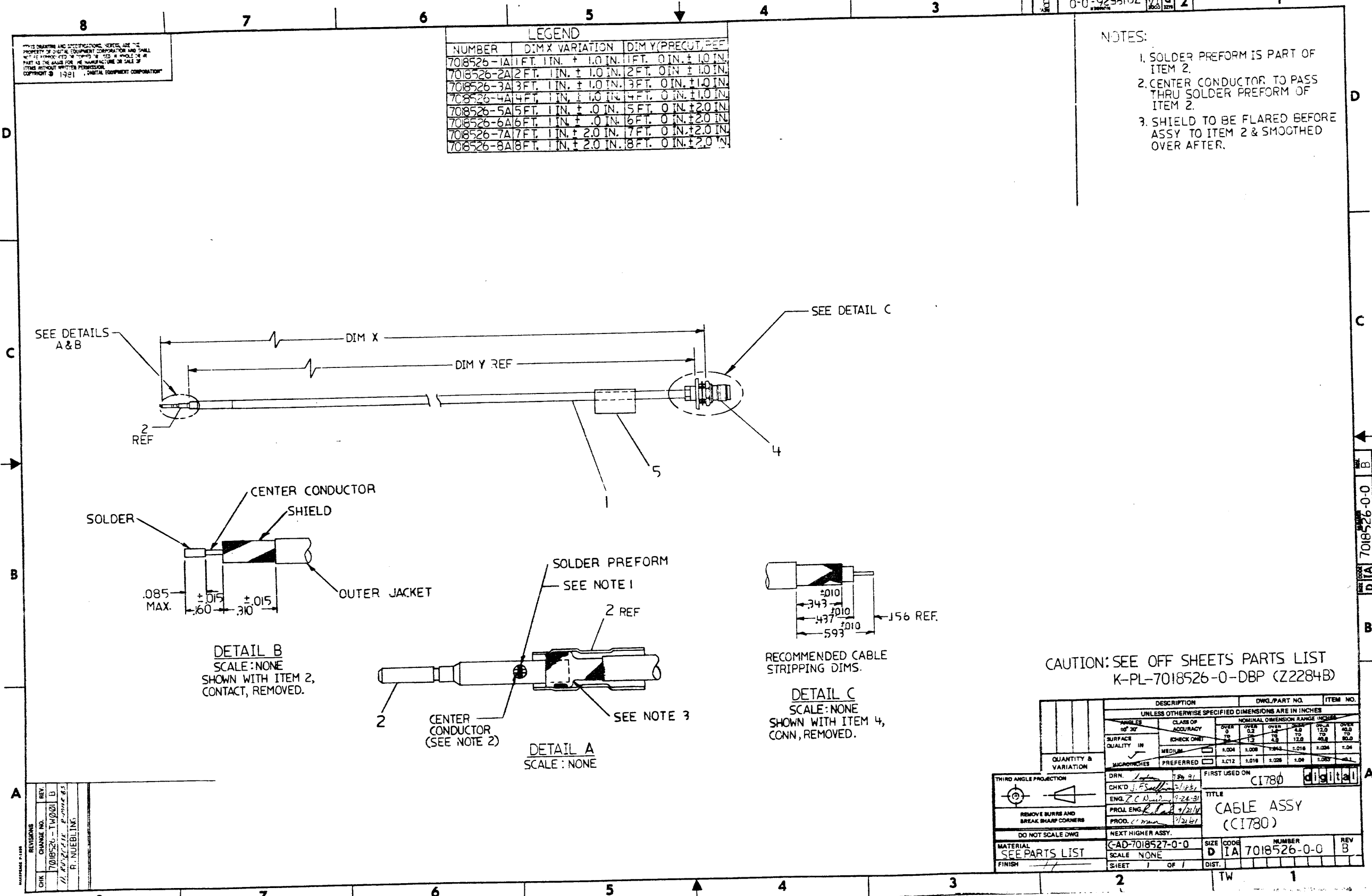
REVISION HISTORY		BASIC PART NO: 7019602		DRN: R. J. RILEY	DATE: 19-MAY-83	D I G I T A L				
ENG	ECO NUMBER	REV	SECTION A OF A	CHK'D: R. J. RILEY	DATE: 19-MAY-83	TITLE		PARTS LIST		
	INITIAL	A	SECTION VARIATION INDEX	DES. ENG.: R. EDGAR	DATE: 19-MAY-83	HARNESS ASSEMBLY		(CIPA BUS)		
			[A] 00	RESP. ENG.: R. EDGAR	DATE: 19-MAY-83	DOCUMENT NUMBER				
			[B]	MFG. ENG.: B. NEUMANN	DATE: 19-MAY-83	SIZE	CODE	NUMBER	REV	
			[C]	ASSEMBLY NUMBER:	TOP DOCUMENT NUMBER:	K	PL	7019602-0-DBP	A	
			[D]	E-UA-7019602-0-0				FILE NAME:	EDIT #	
			[E]					Z5479A.PLS	6	
			[F]							
<p>"THIS DRAWING AND SPECIFICATIONS HEREIN, ARE THE PROPERTY OF DIGITAL EQUIPMENT CORPORATION AND SHALL NOT BE REPRODUCED OR COPIED OR USED IN WHOLE OR IN PART AS THE BASIS FOR THE MANUFACTURE OR SALE OF ITEMS WITHOUT WRITTEN PERMISSION. COPYRIGHT (C) 1983. DIGITAL EQUIPMENT CORPORATION"</p>										

THIS DRAWING AND SPECIFICATIONS HEREBY ARE THE PROPERTY OF DIGITAL EQUIPMENT CORPORATION AND SHALL NOT BE REPRODUCED OR COPIED IN WHOLE OR IN PART AS THE BASIS FOR THE MANUFACTURE OR SALE OF ITEMS WITHOUT WRITTEN PERMISSION. COPYRIGHT © 1981, DIGITAL EQUIPMENT CORPORATION

0-0-925810Z
 00000000
 2

NUMBER	DIM X VARIATION	DIM Y/PRECUT REF
7018526-1A	1 FT. 1 IN. ± 1.0 IN.	1 FT. 0 IN. ± 1.0 IN.
7018526-2A	2 FT. 1 IN. ± 1.0 IN.	2 FT. 0 IN. ± 1.0 IN.
7018526-3A	3 FT. 1 IN. ± 1.0 IN.	3 FT. 0 IN. ± 1.0 IN.
7018526-4A	4 FT. 1 IN. ± 1.0 IN.	4 FT. 0 IN. ± 1.0 IN.
7018526-5A	5 FT. 1 IN. ± 1.0 IN.	5 FT. 0 IN. ± 2.0 IN.
7018526-6A	6 FT. 1 IN. ± 1.0 IN.	6 FT. 0 IN. ± 2.0 IN.
7018526-7A	7 FT. 1 IN. ± 2.0 IN.	7 FT. 0 IN. ± 2.0 IN.
7018526-8A	8 FT. 1 IN. ± 2.0 IN.	8 FT. 0 IN. ± 2.0 IN.

- NOTES:
1. SOLDER PREFORM IS PART OF ITEM 2.
 2. CENTER CONDUCTOR TO PASS THRU SOLDER PREFORM OF ITEM 2.
 3. SHIELD TO BE FLARED BEFORE ASSY TO ITEM 2 & SMOOTHED OVER AFTER.



CAUTION: SEE OFF SHEETS PARTS LIST
 K-PL-7018526-0-DBP (Z2284B)

REV	DATE	BY	CHK	DESCRIPTION
1	11/24/81	J. P. Sullivan	J. P. Sullivan	INITIAL DESIGN
2	12/24/81	R. C. D. [unclear]	R. C. D. [unclear]	REVISED TO 1.0 IN. DIM X
3	1/24/82	R. C. D. [unclear]	R. C. D. [unclear]	REVISED TO 1.0 IN. DIM X
4	1/24/82	R. C. D. [unclear]	R. C. D. [unclear]	REVISED TO 1.0 IN. DIM X

DESCRIPTION	DWG./PART NO.	ITEM NO.
UNLESS OTHERWISE SPECIFIED DIMENSIONS ARE IN INCHES		
ANGLES	CLASS OF ACCURACY	NOMINAL DIMENSION RANGE INCHES
30°	(CHECK DIM)	OVER 0 TO 1.25
SURFACE QUALITY	IN	1.25 TO 3.125
FINISH	MICROINCHES	3.125 TO 6.25
QUANTITY & VARIATION	PREFERRED	6.25 TO 12.5
THIRD ANGLE PROJECTION	DRN. [unclear]	FIRST USED ON [unclear]
REMOVE RIBS AND BREAK SHARP CORNERS	CHK'D J. P. Sullivan 1/24/82	TITLE C1780 digital
DO NOT SCALE DWG	ENG. [unclear] 1/24/81	CABLE ASSY (C1780)
MATERIAL SEE PARTS LIST	PROJ. ENG. [unclear] 1/24/81	SIZE CODE D IA
FINISH	DO NOT SCALE DWG	NUMBER 7018526-0-0
	SCALE NONE	REV B
	SHEET 1 OF 1	DIST.

AUTOMATED BY PRTLST.4Q(50)

P A R T S L I S T

SHEET A1 OF A1

LINE	ITEM	DOCUMENT NUMBER	PART NUMBER	DESCRIPTION	QUANTITY PER VARIATION							
					1A	2A	3A	4A	5A	6A	7A	8A
1	1		1700278-00	CABLE,COAX 01COND 20AWG BRAIDSHL	1	1	1	1	1	1	1	1
2	2		1218505-00	CONN,COAX RG58 JACK SOLD	1	1	1	1	1	1	1	1
3	4		1217991-00	CONN,COAX TNC RG58 JACK	1	1	1	1	1	1	1	1
4	5	A-PS-3616073-0-0	3616073-00	LABEL,ID W/COPY VERTICAL	1	1	1	1	1	1	1	1

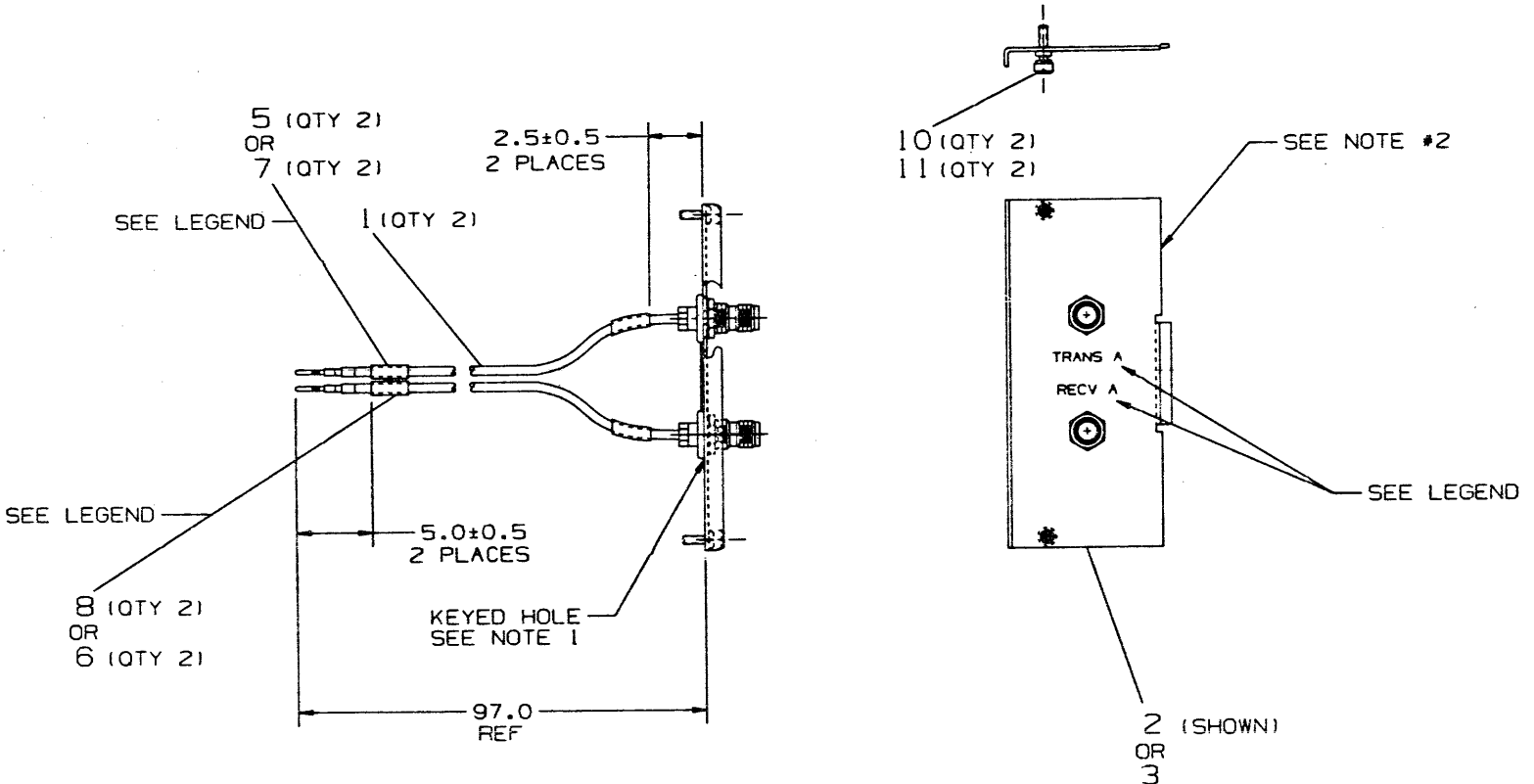
REVISION HISTORY		BASIC PART NO: 7018526		DRN: S. CHARTIER	DATE: 24-SEP-81	D I G I T A L				
ENG:	ECO NUMBER	REV	SECTION A OF A	CHK'D: J. SULLIVAN	DATE: 24-SEP-81	TITLE		PARTS LIST		
---	INITIAL	A	SECTION. VARIATION INDEX	DES.ENG.: R. NUEBLING	DATE: 24-SEP-81	CABLE ASSY(CI780)				
DRN	7018526-TW001	B	[A] 1A,2A,3A,4A,5A,6A, 7A,8A	RESP.ENG.: R. CASABONA	DATE: 24-SEP-81	DOCUMENT NUMBER				
			[B]	MFG.ENG.: M. WARSHAW	DATE: 24-SEP-81	SIZE	CODE	NUMBER	REV	
			[C]	ASSEMBLY NUMBER:	TOP DOCUMENT NUMBER:	K	PL	7018526-0-DBP	B	
			[D]	D-IA-7018526-0-0	E-UA-CI780-0-0	FILE NAME:		EDIT #		
			[E]			Z2284B.PLS		15		
			[F]							

"THIS DRAWING AND SPECIFICATIONS HEREIN, ARE THE PROPERTY OF DIGITAL EQUIPMENT CORPORATION AND SHALL NOT BE REPRODUCED OR COPIED OR USED IN WHOLE OR IN PART AS THE BASIS FOR THE MANUFACTURE OR SALE OF ITEMS WITHOUT WRITTEN PERMISSION. COPYRIGHT (C) 1983. DIGITAL EQUIPMENT CORPORATION "

*THIS DRAWING AND SPECIFICATIONS, HEREIN, ARE THE PROPERTY OF DIGITAL EQUIPMENT CORPORATION AND SHALL NOT BE REPRODUCED OR COPIED OR USED IN WHOLE OR IN PART AS THE BASIS FOR THE MANUFACTURE OR SALE OF ITEMS WITHOUT WRITTEN PERMISSION.
 COPYRIGHT © 1983 DIGITAL EQUIPMENT CORPORATION

LEGEND			
PART NO.	REV	VARIATION	LABELS
7020752-01	B2	T/R A (SILKSCREEN)	ITEM 5 (TA), ITEM 6 (RA)
7020752-02	B2	T/R B (SILKSCREEN)	ITEM 7 (TB), ITEM 8 (RB)

NOTES:
 1. FLAT ON CONNECTOR FITS INTO KEYED HOLE.
 2. PACKAGE IN ITEM #9.



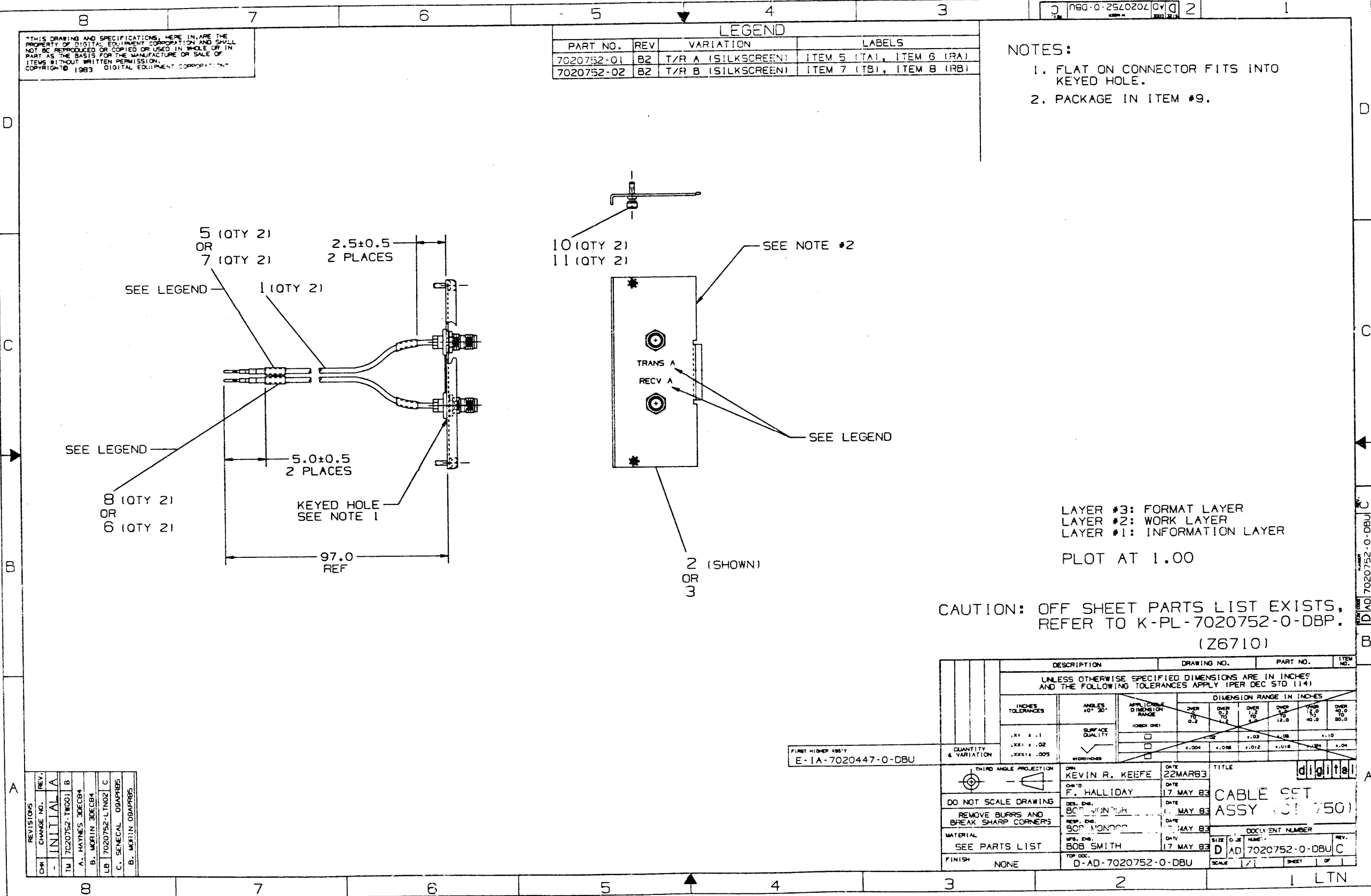
LAYER #3: FORMAT LAYER
 LAYER #2: WORK LAYER
 LAYER #1: INFORMATION LAYER

PLOT AT 1.00

CAUTION: OFF SHEET PARTS LIST EXISTS, REFER TO K-PL-7020752-0-DBP. (Z6710)

REV.	CHG. NO.	INITIAL
A		
B		
C		
D		

DESCRIPTION	DRAWING NO.	PART NO.	ITEM NO.
UNLESS OTHERWISE SPECIFIED DIMENSIONS ARE IN INCHES AND THE FOLLOWING TOLERANCES APPLY (PER DEC STD 114)			
DIMENSION RANGE IN INCHES			
INCHES	ANGLES	APPLICABLE DIMENSION RANGE	
TOLERANCES	±.01	OVER 0.2	OVER 0.2 TO 12.0
	±.02	OVER 12.0 TO 48.0	OVER 48.0 TO 30.0
	±.005	±.004	±.008
		±.012	±.018
		±.018	±.024
QUANTITY & VARIATION	THIRD ANGLE PROJECTION	DATE	TITLE
E-1A-7020447-0-DBU		22 MAR 83	CABLE SET ASSY (31750)
DO NOT SCALE DRAWING	DES. ENG.	DATE	DOC. NO.
REMOVE BURRS AND BREAK SHARP CORNERS	F. HALLIDAY	17 MAY 83	D AD 7020752-0-DBU C
MATERIAL	REP. ENG.	DATE	SCALE
SEE PARTS LIST	BOB MONROE	17 MAY 83	1/1
FINISH	BOB SMITH	17 MAY 83	SHEET OF
NONE	TOP DOC.	D-AD-7020752-0-DBU	



AUTOMATED BY PRTLST.4Q(50)

PARTS LIST

LINE	ITEM	TOP DOCUMENT	PART NUMBER	MIN REV	DESCRIPTION	QTY PER VARIATION	
						01	02
					VARIATION	01	02
					REVISION LEVEL:	B1	B1
1	1	D-IA-7018526-0-0	7018526-8A		BULK HEAD CABLE CI780	2	2
2	2	D-IA-7426407-26-DBU	7426407-26		PANEL, DOUBLE (P/RA)	1	-
3	3	D-IA-7426407-27-DBU	7426407-27		PANEL, DOUBLE (P/RB)	-	1
4	4	A-PS-3616073-0-0	3616073-00		*** THIS ITEM IS NOT USED ***	-	-
5	5		9107840-00		TUBING,SHRINK HOT STAMP YEL-BLK	2	-
6	6		9107840-01		TUBING,SHRINK HOT STAMP YEL-BLK	2	-
7	7		9107840-02		TUBING,SHRINK HOT STAMP YEL-BLK	-	2
8	8		9107840-03		TUBING,SHRINK HOT STAMP YEL-BLK	-	2
9	9		9906557-01		BAG,POLY RECLOSE 2 MIL THK WRIT	1	1
10	10		1219534-01		SCREW, CAPTV SLOT 4-	2	2
11	11		9006688-00		WASHER,HELICAL SPLIT SST	2	2

REVISION HISTORY			BASIC PART NO: 7020752			D I G I T A L		
ENG	ECO NUMBER	REV	SECTION A OF A	DRN:	K R KEEFE	DATE:	21-MAR-83	
---	INITIAL	A	SECTION VARIATION INDEX	CHK'D:	F HALLIDAY	DATE:	21-MAR-83	TITLE PARTS LIST
BM	7020752-TW001	B	(A)01,02	DES.ENG:	B MONDOR	DATE:	21-MAR-83	CABLE SET ASSY (CI750)
BM	7020752-LTN02	C	(B)	RESP.ENG.:	B MONDOR	DATE:	21-MAR-83	DOCUMENT NUMBER
			(C)	MFG.ENG.:	B SMITH	DATE:	21-MAR-83	SIZE CODE NUMBER REV
			(D)	ASSEMBLY NUMBER:	D-AD-7020752-0-DBU	TOP DOCUMENT NUMBER:	D-AD-7020752-0-DBU	K PL 7020752-0-DBP C
			(E)			FILE NAME:	Z6710C.PLS	RELEASE DATE: 01-MAY-85
			(F)			EDIT #	12	

"THIS DRAWING AND THE SPECIFICATIONS CONTAINED HEREIN ARE CONFIDENTIAL AND PROPRIETARY. THEY ARE THE PROPERTY OF DIGITAL EQUIPMENT CORPORATION AND SHALL NOT BE REPRODUCED OR COPIED OR USED IN WHOLE OR IN PART AS THE BASIS FOR THE MANUFACTURE OR SALE OF ITEMS WITHOUT WRITTEN PERMISSION. THIS IS AN UNPUBLISHED WORK PROTECTED UNDER THE FEDERAL COPYRIGHT LAWS."

8

0-0-00001-1

6

5

4

3

2

1

THIS DRAWING AND SPECIFICATIONS, CONTRACT AND ORDER, SHALL BE KEPT TOGETHER AND TREATED AS ONE INSTRUMENT. IN CASE OF DISCREPANCY BETWEEN THE DRAWING AND SPECIFICATIONS, THE CONTRACT AND ORDER SHALL CONTROL. IN CASE OF DISCREPANCY BETWEEN THE DRAWING AND SPECIFICATIONS, THE CONTRACT AND ORDER SHALL CONTROL. IN CASE OF DISCREPANCY BETWEEN THE DRAWING AND SPECIFICATIONS, THE CONTRACT AND ORDER SHALL CONTROL.

J
H
F
E
D
C
B
A

J
H
F
E
D
C
B
A

REWORK INSTRUCTION:
WIRE ADDS SIDE I

- 0-1 FROM E17.3 TO E17.5
- 0-2 FROM PTH BELOW E1-6.7 TO E/2.13
- 0-3 FROM E72.15 TO E142.10
- 0-4 FROM E28.17 TO E23.2
- 0-5 FROM E23.3 TO E4.13
- 0-6 FROM E28.18 TO E28.10
- 0-7 FROM E42.10 TO E29.10
- 0-8 FROM E9.13 TO E29.9
- 0-9 FROM E9.9 TO E29.8
- 0-10 FROM E41.9 TO E109.11
- 0-11 FROM E131.8 TO E41.12
- 0-12 FROM E132.11 TO E132.13
- 0-13 FROM E101.5 TO E121.3
- 0-14 FROM E116.3 TO E116.2
- 0-15 FROM E152.1 TO E108.4
- 0-16 FROM E152.2 TO E108.6
- 0-17 FROM E152.20 TO E152.19

COMPONENT ADDS: SIDE I

- 0-20 FROM E152.1 TO E152.20 (D2, 11-00114-00)
- 0-21 FROM E152.2 TO E152.19 (D1, 11-00114-00)

COMPONENT DELETES

- 0-30 DELETE RI2

DATE	BY	REVISION

TITLE
CC

DATE	BY	REVISION

0-0-00001-1

8

7

6

5

4

3

2

1

TH

AUTOMATED BY PRSUD.2B(4)

PARTS LIST

LINE	ITEM	TOP DOCUMENT	PART NUMBER	MIN REV	DESCRIPTION	QTY	PER VARIATION	REFERENCE DESIGNATOR
1	1	D-MD-5015556-0-0	5015556-00		ETCH CUT BOARD	1		
2	53	BLANK			*** THIS ITEM IS NOT USED ***	-		
3	57		1012784-00		.047 MFD 50V +80-20% CER	60		C1,C8-C66
4	56		1017472-00		10 MFD 35V +50-10% AL EL	6		C2-C7
5	22		1318784-00		R NETWORK MULTI-VALUE 16PIN	1		E31
6	60		1216988-02		HANDLE,MODULE,HEX TWO EJECTORS	1		
7	55		1300005-01		R NETWORK 13-1K 5.0 % 14PIN	1		E16
8	47		1300229-00		100.0 .25 W 5.0 % CF	4		R1,R15,R18,R20
9	48		1300250-00		150.0 .25 W 5.0 % CF	4		R3,R4,R5,R6
10	49		1302379-00		75.0 .25 W 5.0 % CF	4		R7,R11,R21,R22
11	51		1305125-00		383.0 .25 W 1.0 % RN55D-F10	1		R9
12	50		1311422-00		178.0 .25 W 1.0 % RN55D-F10	2		R8,R10
13	39		1312628-00		R NETWORK 14-176.5 14-375 16PIN	3		E108,E123,E138
14	52		1503121-00		2N 2369 NPN 350MW SI N	1		Q1
15	29		1616653-01		DELAY= 100NS,10TAPS WITH TTLBU	2		E46,E160
16	23		1909705-00		DEC 8881 NAND GATE-QUAD 2IN 0	2		E32,E146
17	9		1910532-00		74S00 NAND GATE-QUAD 2IN	4		E11,E44,E137,E163
18	17		1910534-00		74S04 INVERTER GATE-HEX 1I	4		E24,E129,E132,E161
19	13		1910535-00		74S05 INVERTER GATE-HEX 1	1		E17
20	10		1910536-00		74S10 NAND GATE-TRIPLE 3IN	4		E13,E54,E112,E136
21	2		1910537-00		74S11 AND GATE-TRIPLE 3INP	3		E2,E12,E149
22	27		1910544-00		74S74 FF-D DUAL,EDGE TRIGG	1		E41
23	28		1910545-00		74S112 FF-JK DUAL,EDGE TRIG	3		E43,E106,E147
24	44		1910549-00		74S158 MUX 1 OF 2 (QUAD)	2		E142,E143
25	16		1910550-00		74S174 FF-D HEX	4		E23,E25,E27,E164
26	8		1910957-00		74S175 FF-D QUAD COMMON CLO	4		E9,E42,E72,E162
27	45		1911469-00		DEC 8640 RECEIVER,BUS,QUAD,U	1		E144
28	25		1911573-00		74S280 PARITY GEN/CHKR,9BIT	4		E38,E59,E103,E114
29	40		1911675-00		74S138 DECODER/DEMUX 3-8 LI	2		E115,E157
30	46		1911712-00		74S51 AND-OR GATE-INVERT D	1		E148

REVISION HISTORY		BASIC PART NO: L0009		DRN: D. SIREEN	DATE: 11-17-82	D I G I T A L		
ENG:	ECO NUMBER	REV	SECTION A OF A	CHK'D: E.T. GERRY	DATE: 11-17-82	TITLE PARTS LIST		
---	INITIAL	A	SECTION VARIATION INDEX	DES.ENG: G. KOECKHOVEN	DATE: 11-17-82	DOCUMENT NUMBER		
RE	L0009-TW001	B	(A) 00	RESP.ENG.: G. KOECKHOVEN	DATE: 11-17-82	SIZE	CODE	NUMBER
			(B)	MFG.ENG.: BARRY NEWMANN	DATE: 20-JUN-83	K	PL	L0009-0-DBP
			(C)	ASSEMBLY NUMBER:	TOP DOCUMENT NUMBER:	RELEASE DATE: 18-APR-84		REV
			(D)	E-UA-L0009-0-0	B-DD-L0009-0-0	FILE NAME:	EDIT #	
			(E)			Z3933B.PLS	15	
			(F)					
			(H)					
			(J)					
			(K)					
			(L)					
			(M)					
			(N)					

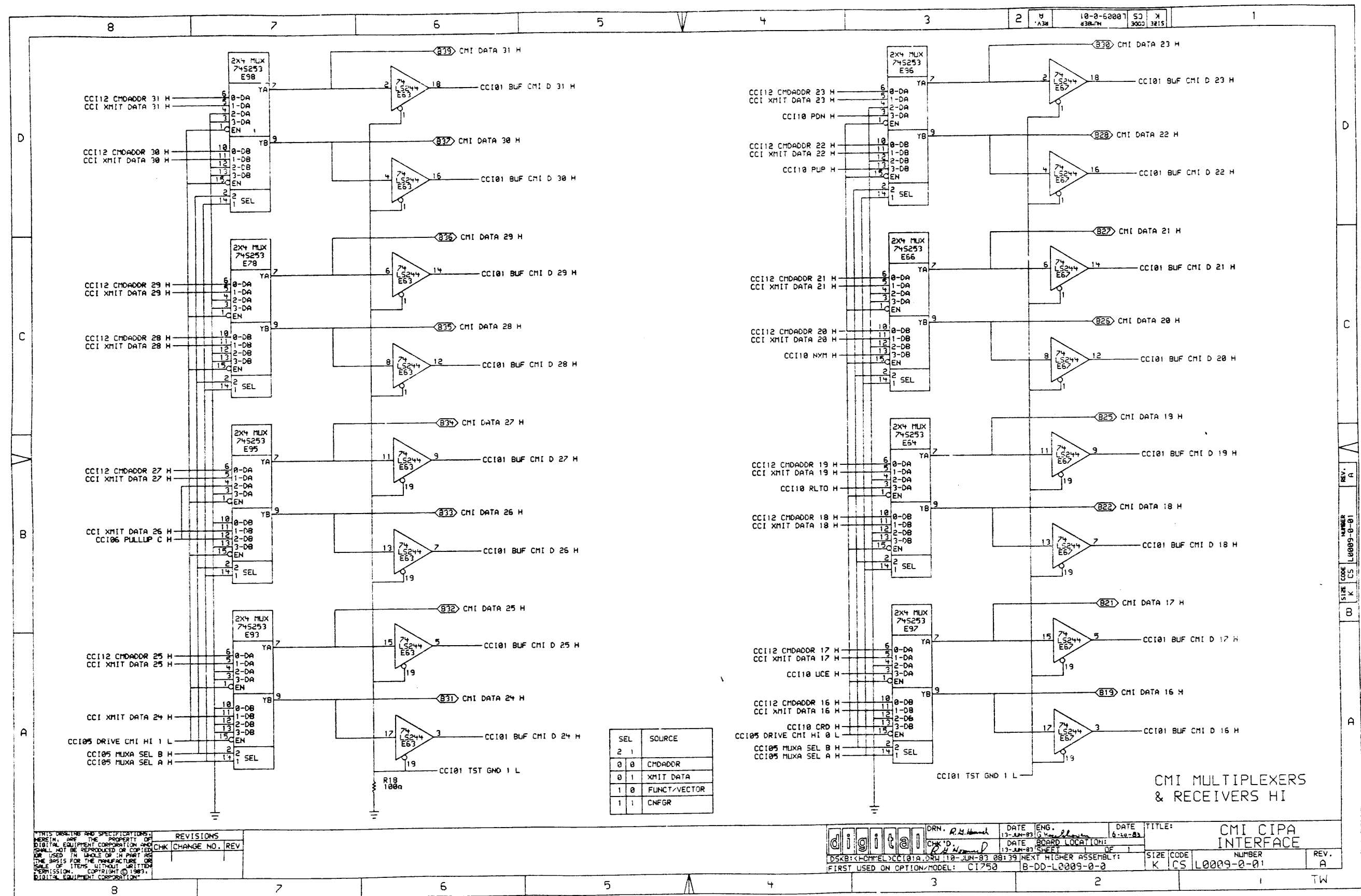
"THIS DRAWING AND THE SPECIFICATIONS CONTAINED HEREIN ARE CONFIDENTIAL AND PROPRIETARY. THEY ARE THE PROPERTY OF DIGITAL EQUIPMENT CORPORATION AND SHALL NOT BE REPRODUCED OR COPIED OR USED IN WHOLE OR IN PART AS THE BASIS FOR THE MANUFACTURE OR SALE OF ITEMS WITHOUT WRITTEN PERMISSION. THIS IS AN UNPUBLISHED WORK PROTECTED UNDER THE FEDERAL COPYRIGHT LAWS."

AUTOMATED BY PRTSUD.2B(4)

PARTS LIST

LINE	ITEM	TOP DOCUMENT	PART NUMBER	MIN REV	DESCRIPTION	QTY	PER VARIATION	REFERENCE DESIGNATOR
					VARIATION REVISION LEVEL:	00		
						A2		
31	31		1912096-00	DEC	74S85 XOR GATE, QUAD 2IN	1		E55
32	4		1912388-00		74S02 NOR GATE-QUAD 2IN, PO	4		E4, E5, E116, E145
33	20		1912389-00		74S08 AND GATE-QUAD 2IN, PO	6		E29, E90, E128, E133, E150, E156
34	15		1912656-00		LS670 REGISTER FILE, 4X4, LO	16	CONT	E20, E21, E22, E37, E52, E53, E57, E58,
							CONT	E60, E70, E74, E85, E87, E89, E104,
								E105
35	30		1912660-00		74S253 MUX 1 OF 4 (DUAL)	16	CONT	E47, E49, E50, E61, E64, E66, E78, E79,
								E80, E81, E86, E93, E95, E96, E97, E98
								E101
36	38		1912746-00	DEC	74S37 NAND GATE-QUAD 2IN	1		E8
37	7		1912808-00		LS11 AND GATE-TRIPLE 3IN	1		E134
38	43		1912816-00		LS32 OR GATE-QUAD 2IN, POS	1		E122
39	41		1912820-00		LS51 A-O-I GATE 2-WIDE 2I	1		E75
40	33		1912824-00		LS74 FF-D DUAL, EDGE TRIGG	1		E33
41	24		1912829-00		LS86 X-OR GATE-QUAD 2IN	1		E40, E100, E120, E130
42	26		1912834-00		LS112 FF-JK, DUAL, EDGE TRIG	4		E14
43	11		1912842-00		LS138 DECODER-THREE INPUT,	1		E71, E82
44	32		1912854-00		LS193 COUNTER, SYNCHR, 4BIT,	2		E77
45	35		1912863-00		LS273 FF-D OCTAL W/CLEAR	1		E91, E117, E135
46	36		1913340-00		74S32 OR GATE-QUAD 2IN	3		E126, E141
47	42		1913670-00		74S373 LATCH, 8BIT TRANS TRI	2		E7, E18, E35, E48, E51, E68, E83
48	6		1913671-00		74S374 FF-D, OCTAL, TRI STATE	7		E76
49	34		1913777-00		LS240 DRIVER, LINE, OCTAL, T	1		E94, E109, E110, E111, E124, E125,
50	37		1913788-00		26S10 TRANSCEIVER, BUS, QUA	10	CONT	E139, E140, E153, E154
								E3, E10, E131
51	3		1914085-00		74S260 NOR GATE-DUAL, POS	3		E1, E39
52	54		1914086-00		74S30 NAND GATE-POS 8IN	2		E19, E56, E73, E88, E99, E102
53	14		1914214-00		LS374 FF-D OCTAL EDGE TRIG	6		E45, E107, E151, E165
54	21		1914451-00		LS393 COUNTER, BINARY, 4BIT	4		E6
55	5		1914845-00		2918 FF-D QUAD TRI-STATE	1		E15, E34, E36, E62, E63, E65, E67, E69,
56	12		1915193-00		LS244 DRIVER, LINE, OCTAL, T	11	CONT	E84, E113, E127
								E28
57	19		23093B1-00		B1-01	1		E26
58	18		23095C6-00		C6-01	1		E121
59	53		23053K5-00		K5-01	1		
60	61		9000024-01		EYELET, ROLLED 0.1210DX0.192	12		W1
61	59		9009185-00		JUMPER, WIRE, INSULATED, BLACK B	1		XE31
62	62		1215005-02		SKT, IC 16PIN DIP TIN SOLD	1		XE28, XE121
63	63		1215006-04		SKT, IC 20PIN DIP TIN SOLD	2		XE26
64	64		1215006-07		SKT, IC 28PIN DIP TIN SOLD	1		E118, E119, E158, E159
65	65		1910544-01		74S74-60GG-D DUAL, EDGE TRIG	4		D1, D2
66	66		1100114-00		PIV= 25 IO=135 MA	2		
67	67		9105740-55		WIRE(WRAP) 30AWG KYNAR UL14	1		E155
68	68		1913671-50		74S374 FF-D, OCTAL, TRI STATE	1		

D	I	G	I	T	A	L	TITLE	C.C.I.	SECTION A	OF A	SIZE	CODE	DOCUMENT NUMBER	REV
											K	PL	L0009-0-DBP	B



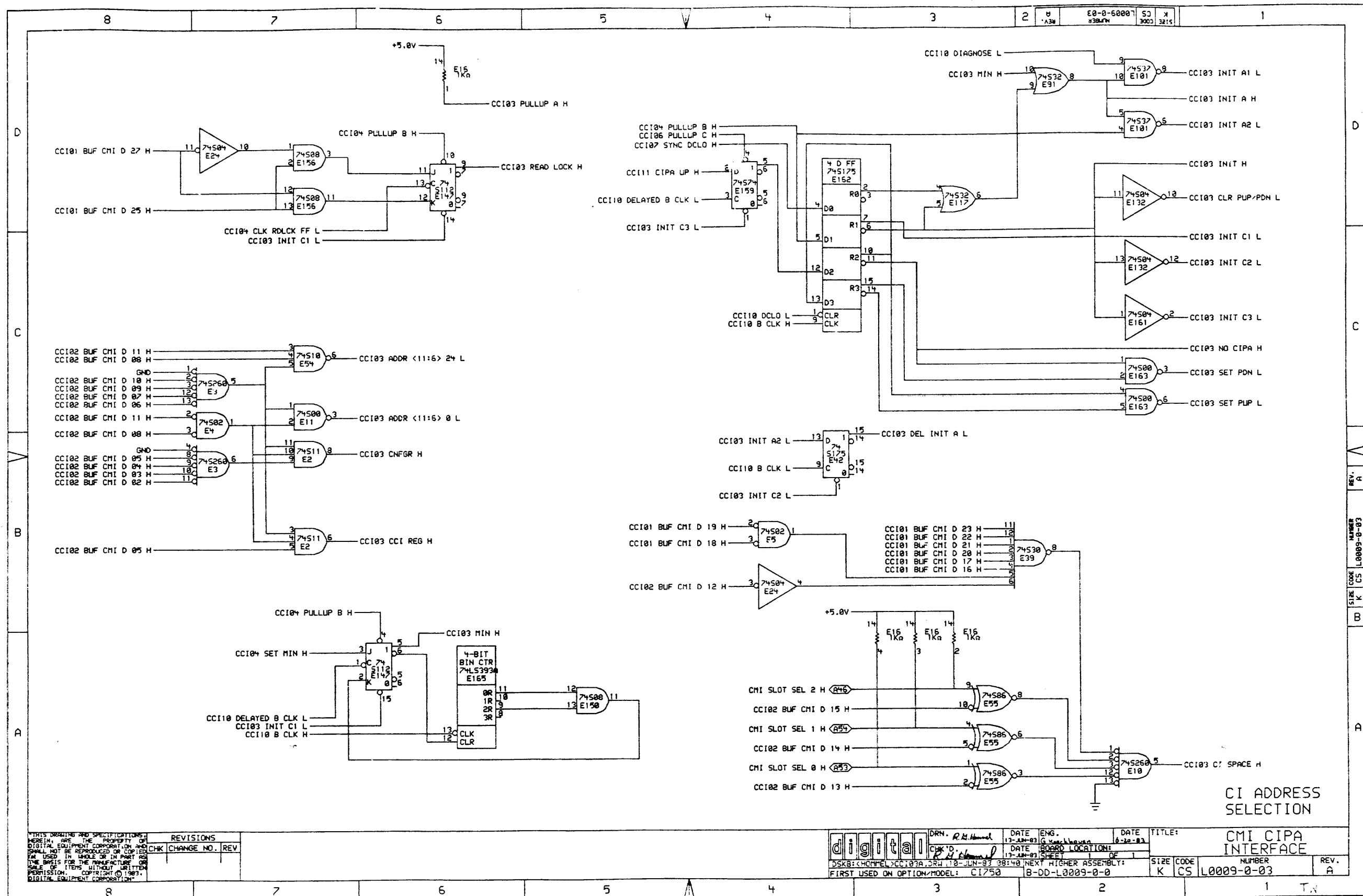
REVISIONS

CHK	CHANGE NO.	REV

digit@i DRN. R.H. Howell DATE ENG. 13-JUN-83 G. V. ... DATE 6-10-83 TITLE: CMI CIPA INTERFACE

DSKB: <HOMMEL> CCI01A.DPL.1: 13-JUN-83 08:39 NEXT HIGHER ASSEMBLY: SIZE CODE NUMBER REV. K CS L0009-0-01 A

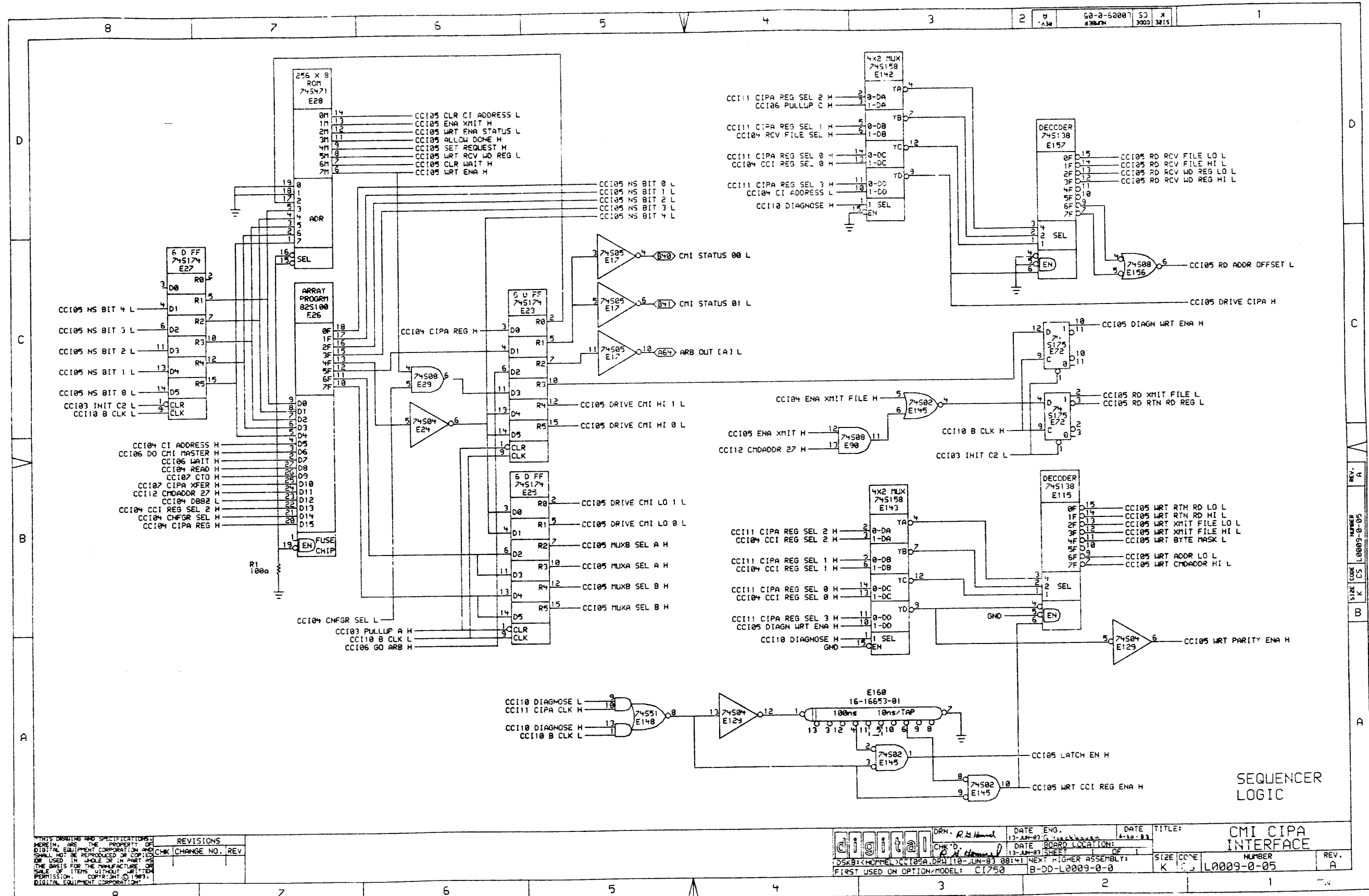
FIRST USED ON OPTION/MODEL: CI750 B-DD-L0009-0-0



THIS DRAWING AND SPECIFICATIONS ARE THE PROPERTY OF DIGITAL EQUIPMENT CORPORATION AND SHALL NOT BE REPRODUCED OR COPIED IN ANY MANNER WITHOUT WRITTEN PERMISSION. COPYRIGHT © 1983, DIGITAL EQUIPMENT CORPORATION.

REV.	CHG	CHANGE NO.	REV

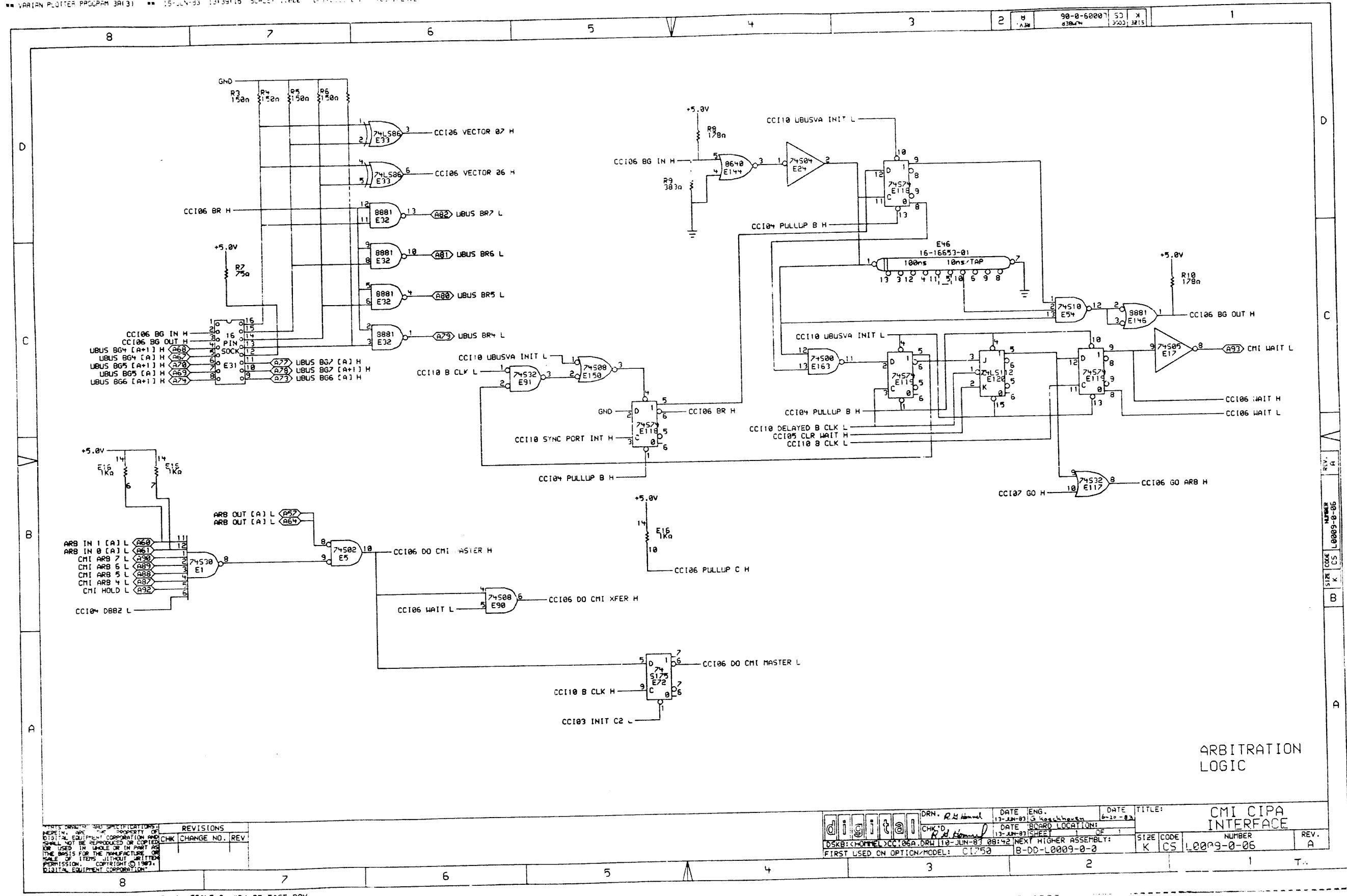
DRN. R.H. Howard	DATE 13-JUN-83	ENG. G. Sankhyan	DATE 8-20-83	TITLE: CMI CIP A INTERFACE
DESIGNED BY: R.H. Howard	DATE 13-JUN-83	BOARD LOCATION: DE 1	SHEET 1	REV. A
DSKB: <HOMMEL>CCI03A.DPL.1.0 JUN-83 381:48	NEXT HIGHER ASSEMBLY: B-DD-L0009-0-0	SIZE CODE K	CODE CS	NUMBER L0009-0-03
FIRST USED ON OPTION/MODEL: C1750				



THIS DRAWING AND SPECIFICATIONS ARE THE PROPERTY OF DIGITAL EQUIPMENT CORPORATION AND SHALL NOT BE REPRODUCED OR COPIED IN WHOLE OR IN PART OR USED IN THE MANUFACTURE OR SALE OF ITEMS WITHOUT WRITTEN PERMISSION. COPYRIGHT © 1983 DIGITAL EQUIPMENT CORPORATION.

REVISIONS	CHK	CHANGE NO.	REV.

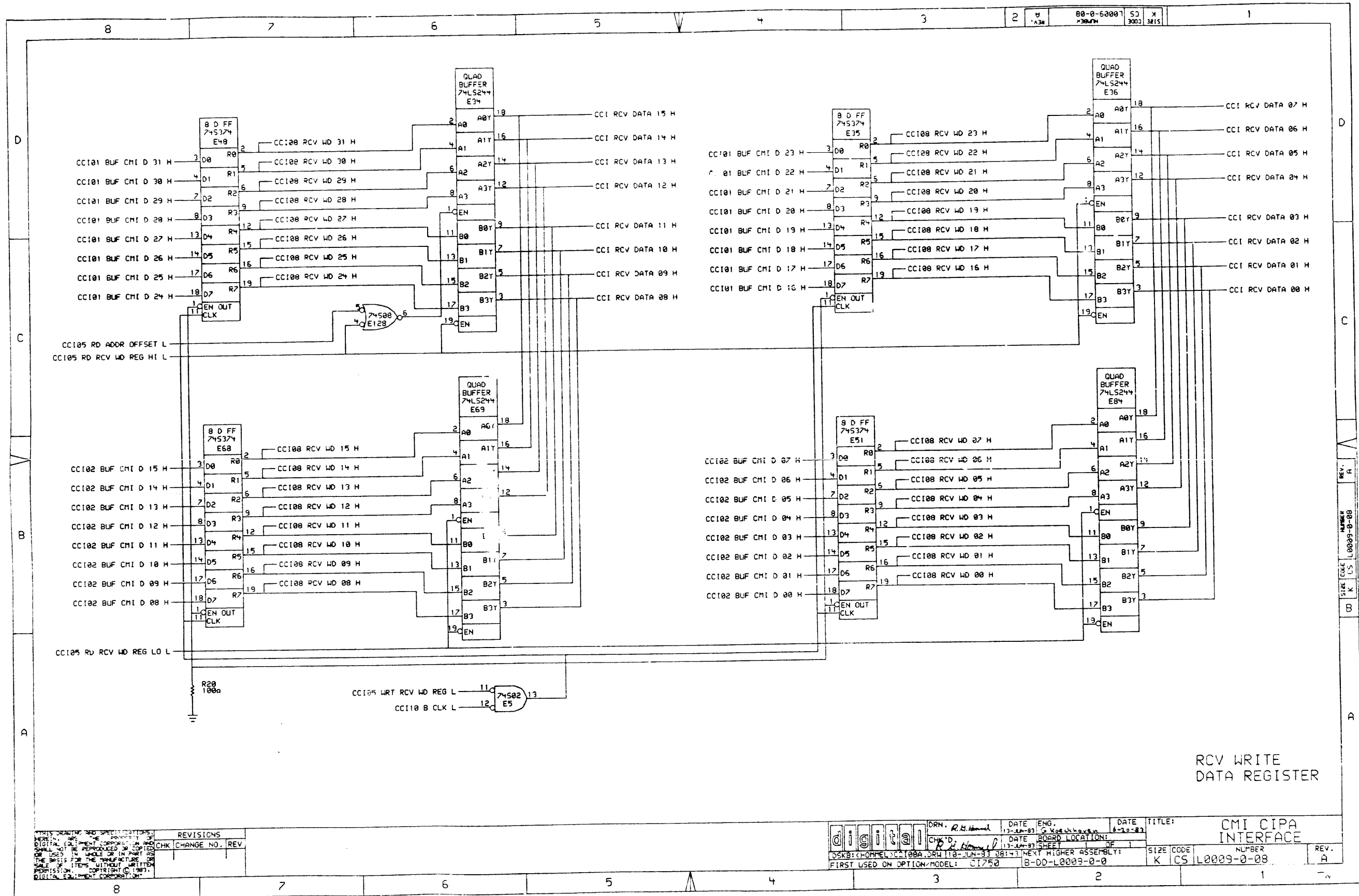
	DRN. R. L. Howell	DATE ENG. 12-11-82	DATE 4-30-83	TITLE: CMI CIPA INTERFACE
	CHK'D. R. L. Howell	DATE BOARD LOCATION: 13-JUN-83	SHEET 1	SIZE CODE NUMBER REV. K CS L0009-0-05 A
FIRST USED ON OPTION/MODEL: C1250		NEXT HIGHER ASSEMBLY: B-DD-L0009-0-0		



ARBITRATION LOGIC

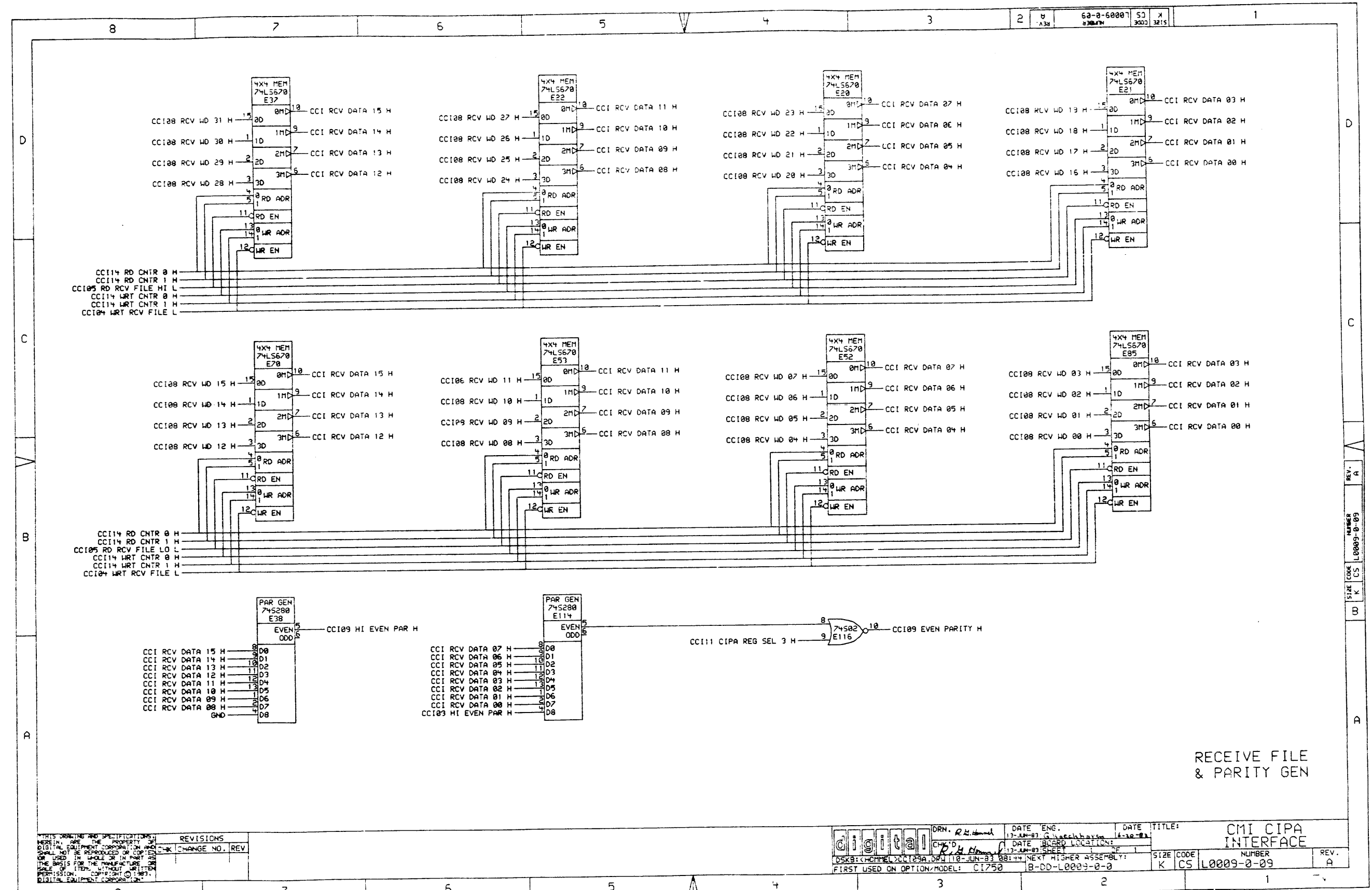
REV.	CHG.	NO.	REV.
1			

digital	DRN. R.H. Hemmel	DATE ENG. 12-18-82	DATE 6-20-83	TITLE: CMI CIPA INTERFACE
CHK'D. R.H. Hemmel	DATE BOARD LOCATION: 12-18-82	SHEET 1 OF 1	SIZE CODE K CS	NUMBER L0009-0-06
DSKB: CHOMMEL\CC106A.DPL.1	12-JUN-83 08:42	NEXT HIGHER ASSEMBLY: B-DD-L0009-0-0	REV. A	
FIRST USED ON OPTION MODEL: CI750				



REVISIONS
CHK CHANGE NO. REV

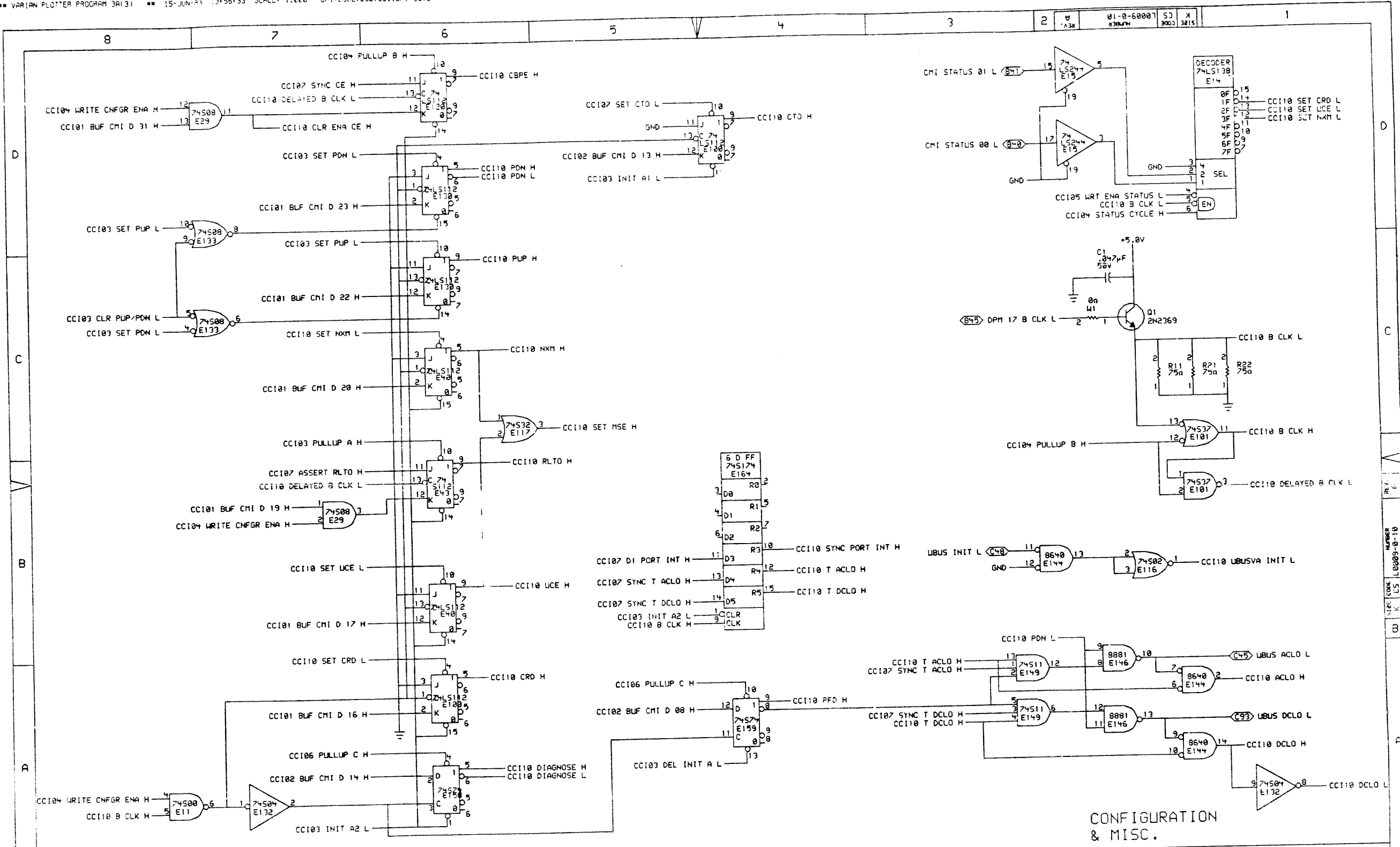
	DRN. R.H. Howard DATE 13-JUN-83 ENG. G. M. ... DATE 8-28-83	TITLE: CMI CIPA INTERFACE
DSKB: <HOMTEL>CC108A.DRW.118-JUN-83 08:43 NEXT HIGHER ASSEMBLY: B-DD-L0009-0-0	BOARD LOCATION: 1 OF 1 SHEET 1 OF 1	SIZE CODE: K CS L0009-0-08 NUMBER: REV. A



THIS DRAWING AND SPECIFICATIONS ARE THE PROPERTY OF DIGITAL EQUIPMENT CORPORATION AND SHALL NOT BE REPRODUCED OR COPIED OR USED IN WHOLE OR IN PART AS THE BASIS FOR THE MANUFACTURE OR SALE OF ITEMS WITHOUT WRITTEN PERMISSION. COPYRIGHT © 1983, DIGITAL EQUIPMENT CORPORATION.

REVISIONS	CHANGE NO.	REV

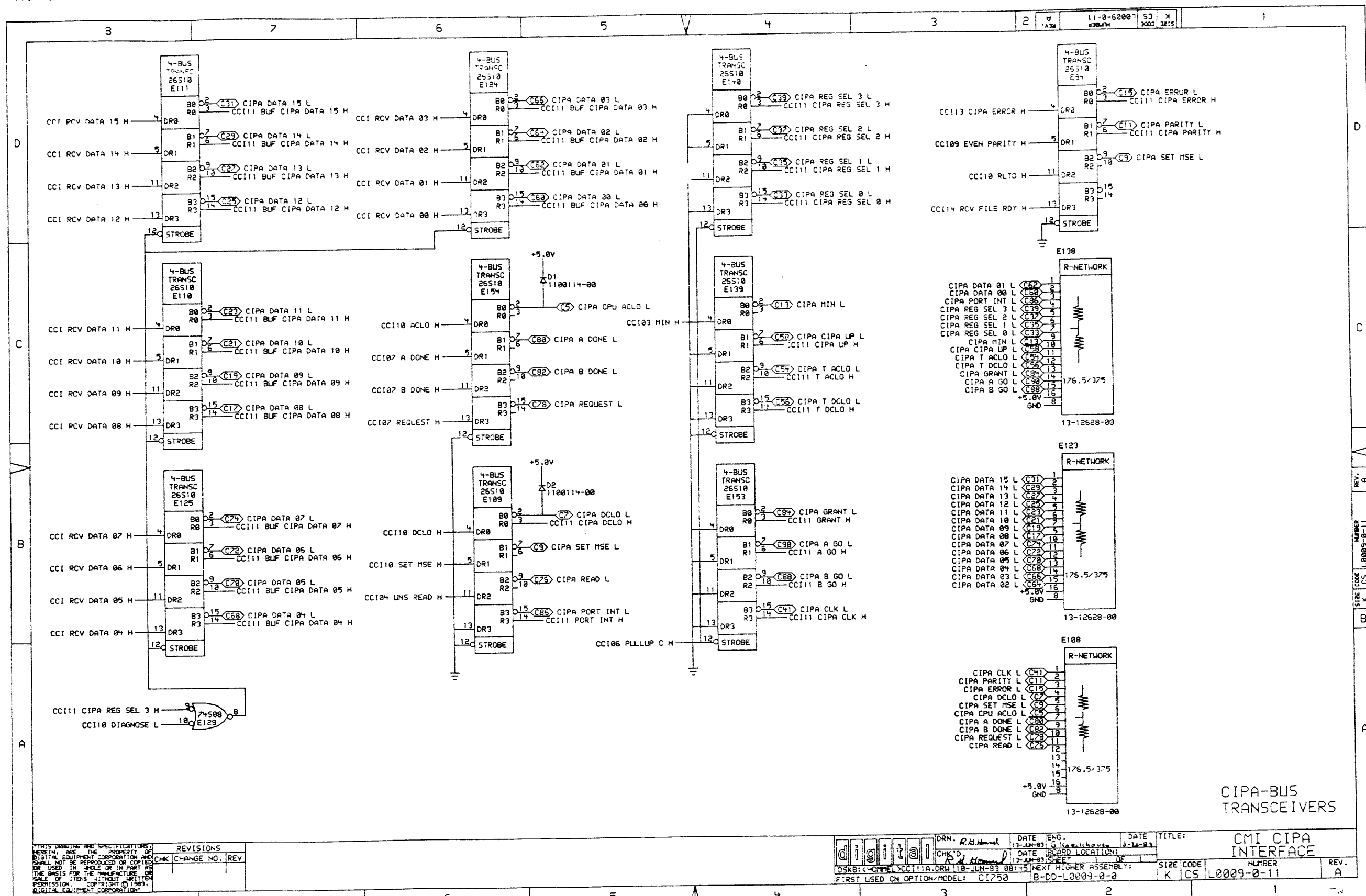
digital	DRN. R.L. HANDEL	DATE ENG. 12-JUN-83	DATE BASED 16-JUN-83	TITLE: CMI CIPA INTERFACE
	CHK'D R.L. HANDEL	DATE BASED 13-JUN-83	SHEET 1 OF 1	REV. A
DSKB:CHMTEL2CC109A.DPL 110-JUN-83 08:44		NEXT HIGHER ASSEMBLY: B-DD-L0009-0-0		SIZE CODE K CS
FIRST USED ON OPTION/MODEL: C1750		NUMBER L0009-0-09		



CHK	CHANGE NO.	REV

DSK:K:\HOMEL\CCI10A.DPL.1	SCALE: 2.00	RELEASE BOX
---------------------------	-------------	-------------

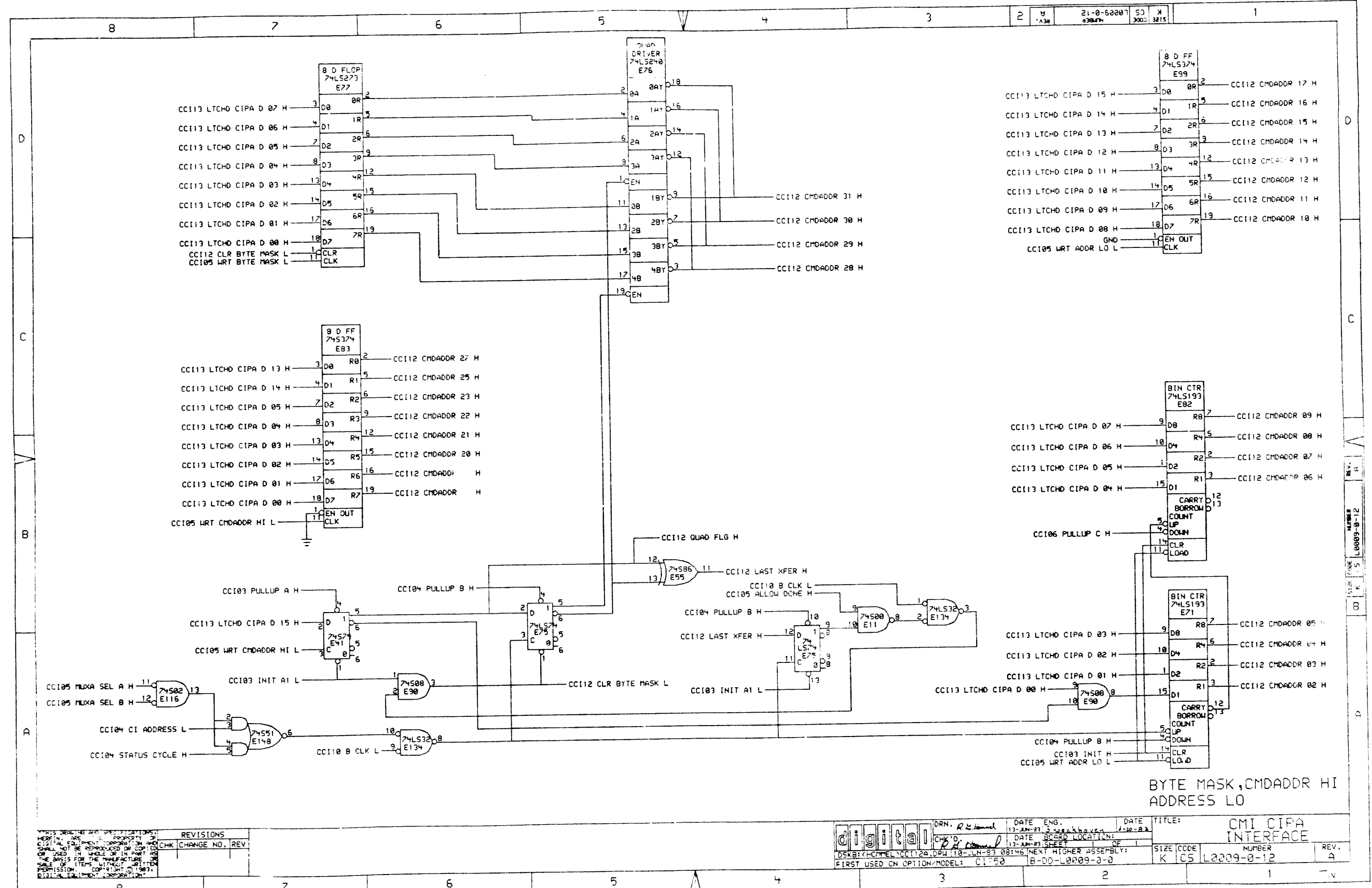
DRN. R.H. Howard	DATE ENG. 12-20-82	DATE 6-30-83	TITLE: CMI CIPA INTERFACE
CHK'D R.H. Howard	DATE BOARD LOCATION: 12-20-82	SHEET 1 OF 1	SIZE CODE K CS
FIRST USED ON OPTION/MODEL: C1750	NEXT HIGHER ASSEMBLY: B-00-L0009-8-0	NUMBER L0009-0-10	REV. A



ALL DIMENSIONS AND SPECIFICATIONS HEREIN ARE THE PROPERTY OF DIGITAL EQUIPMENT CORPORATION AND SHALL NOT BE REPRODUCED OR COPIED OR USED IN WHOLE OR IN PART AS THE BASIS FOR THE MANUFACTURE OR SALE OF ITEMS WITHOUT WRITTEN PERMISSION. COPYRIGHT © 1983, DIGITAL EQUIPMENT CORPORATION.

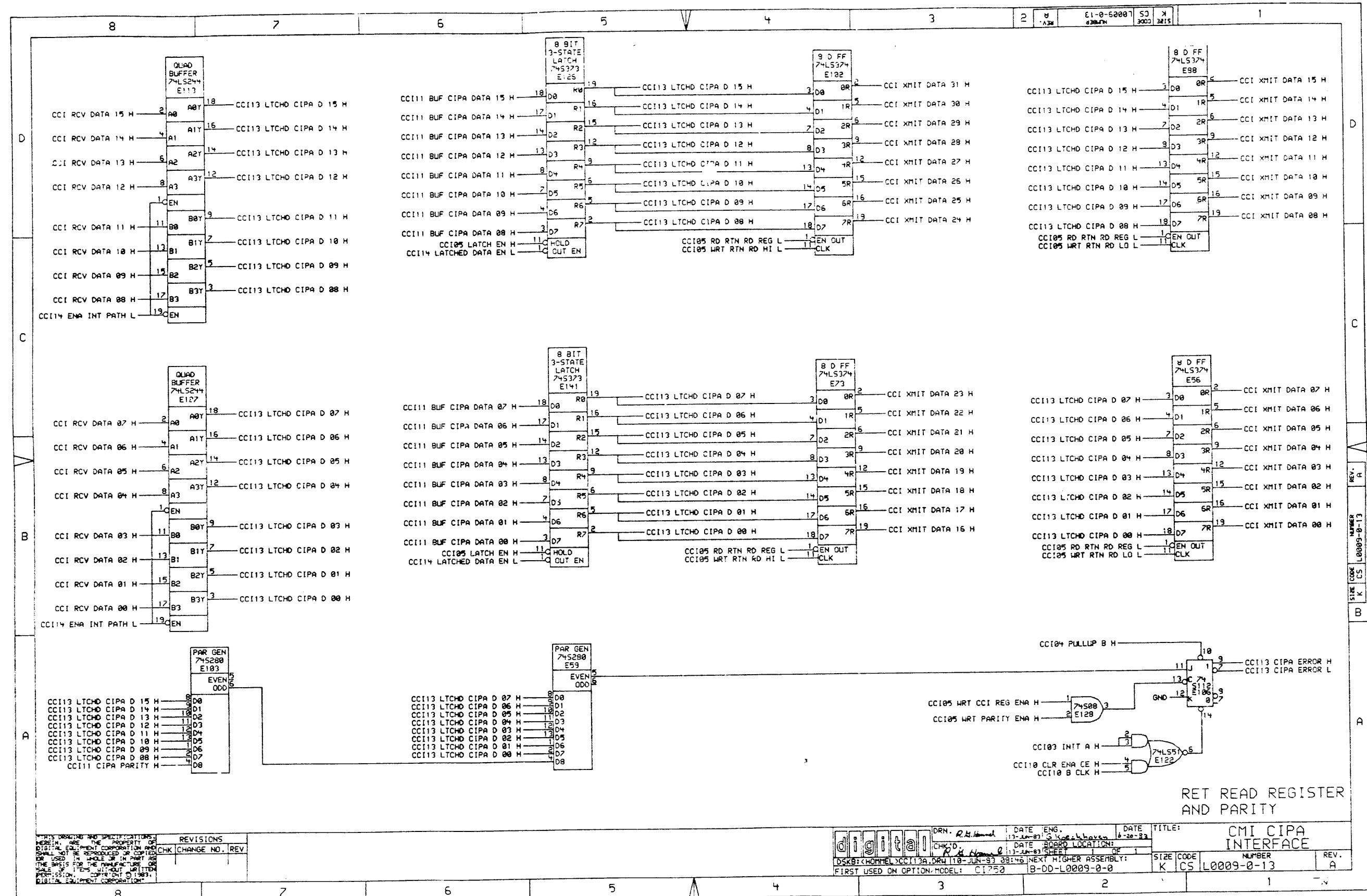
REV.	CHANGE NO.	REV.

digital	DRN. R.H. Hamel	DATE 13-JUN-83	ENG. G. Kozelchova	DATE 0-20-83	TITLE: CMI CIPA INTERFACE
	CHK'D. R.H. Hamel	DATE 13-JUN-83	BOARD LOCATION: DE 1	SIZE CODE K CS	NUMBER L0009-0-11
FIRST USED ON OPTION/MODEL: C1750		NEXT HIGHER ASSEMBLY: 18-DD-L0009-0-0		REV. A	



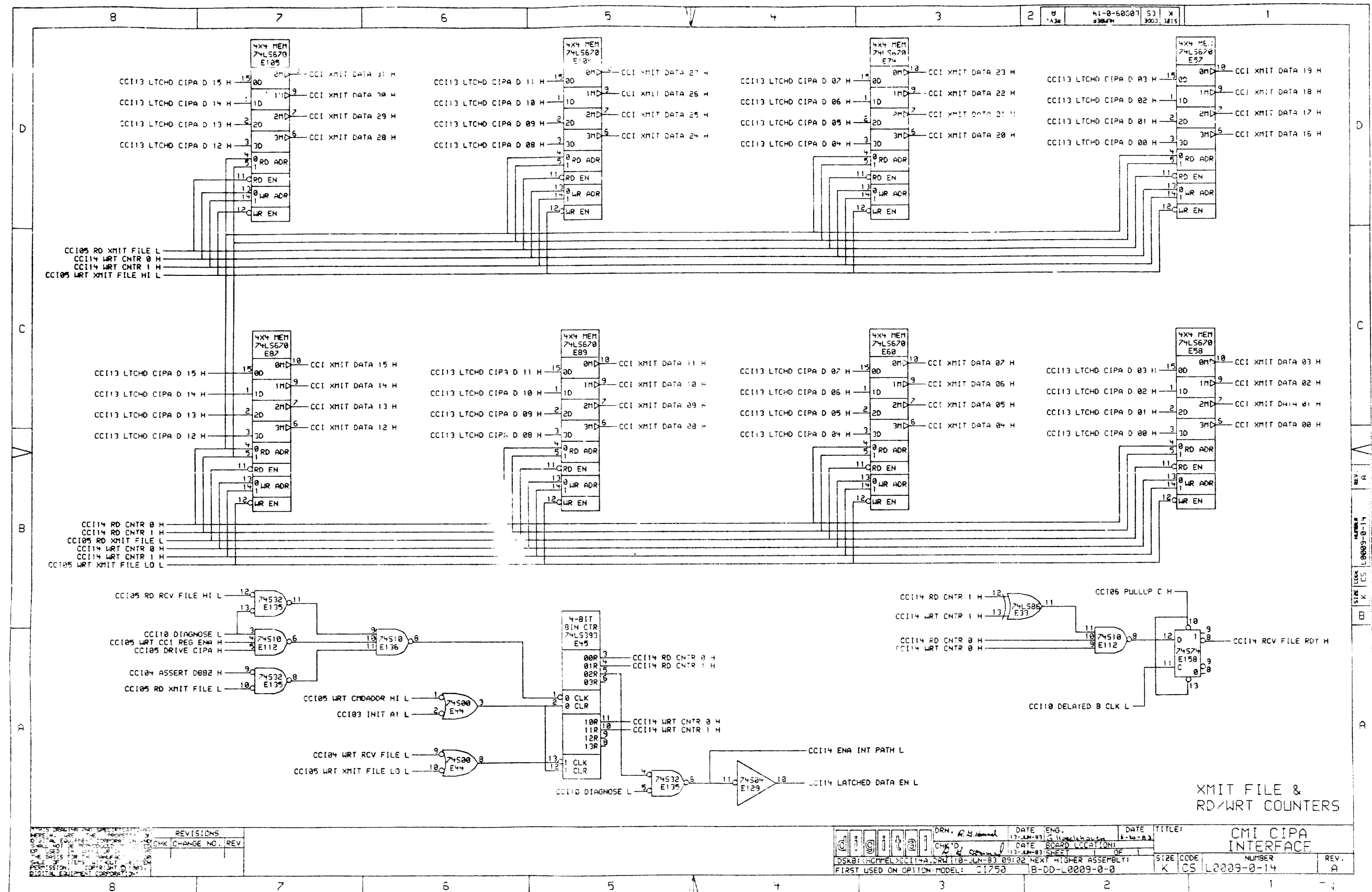
REVISIONS	
CHK	CHANGE NO. REV.

	DRN. R. L. ...	DATE ENG. 12-20-81	DATE 1-20-82	TITLE: CMI CIPA INTERFACE
	CHK'D. R. L. ...	DATE BOARD LOCATION: 12-20-81	SHEET 1 OF 1	SIZE CODE NUMBER REV. K CS L2209-0-12 A
DSKB:\CMI\CMI12A.DPL10-UN-83 08:46 NEXT HIGHER ASSEMBLY: B-DD-L2209-0-0				FIRST USED ON OPTION/MODEL: C1750



REV. NO.	DATE	BY	CHKD.	DATE	BY
1	11-20-81	R. H. ...		11-20-81	
2	11-20-81	R. H. ...		11-20-81	

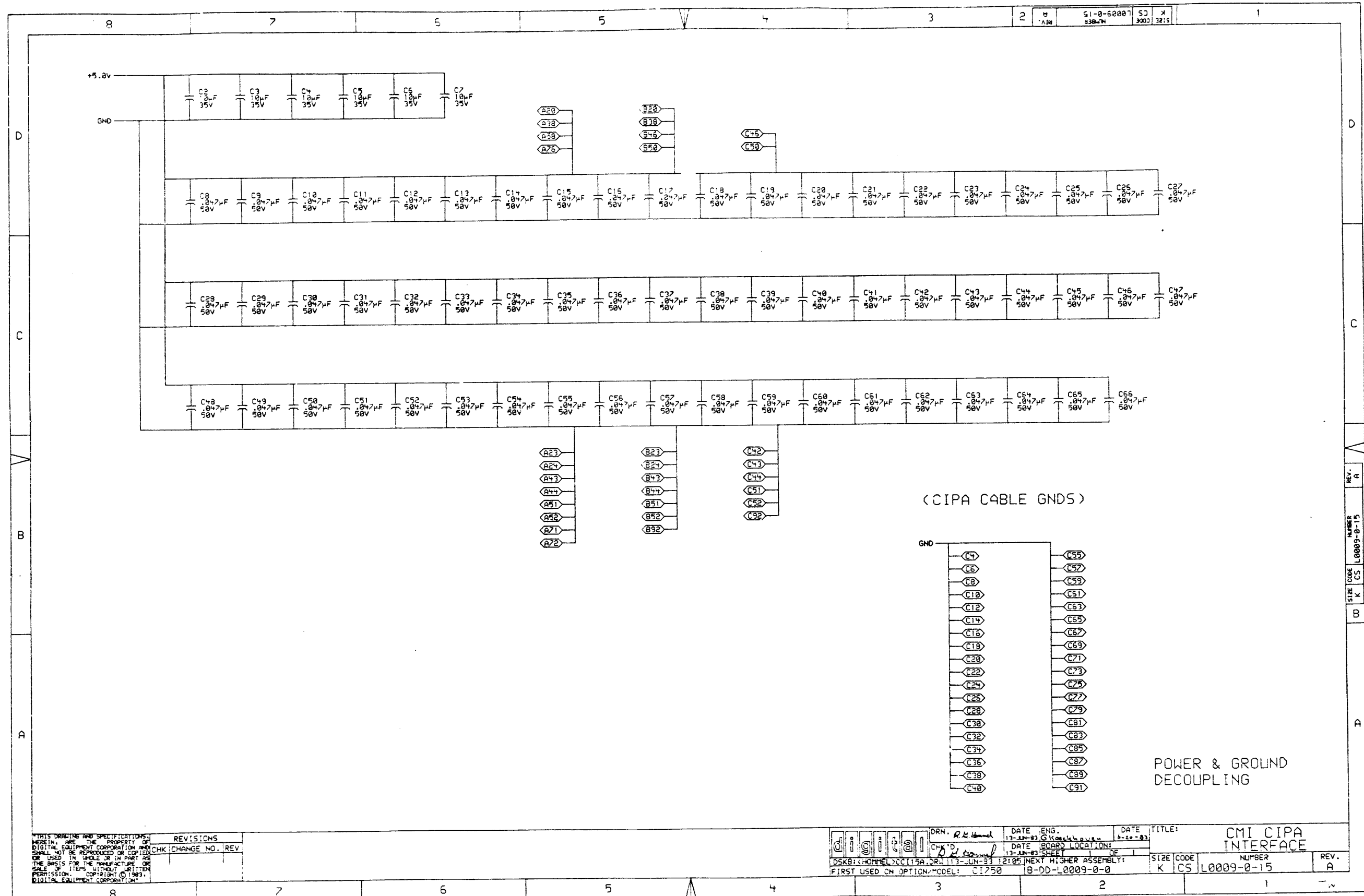
TITLE: CMI CIPA INTERFACE
 SIZE CODE NUMBER REV.
 K CS L0009-0-13 A
 DATE ENG. DATE
 11-20-81 11-20-81
 BOARD LOCATION: 1
 SHEET: 1
 NEXT HIGHER ASSEMBLY:
 18-DD-L0009-0-0
 FIRST USED ON OPTION MODEL: C1750



XMIT FILE & RD/WRT COUNTERS

REVISIONS	
CHK	CHANGE NO. REV

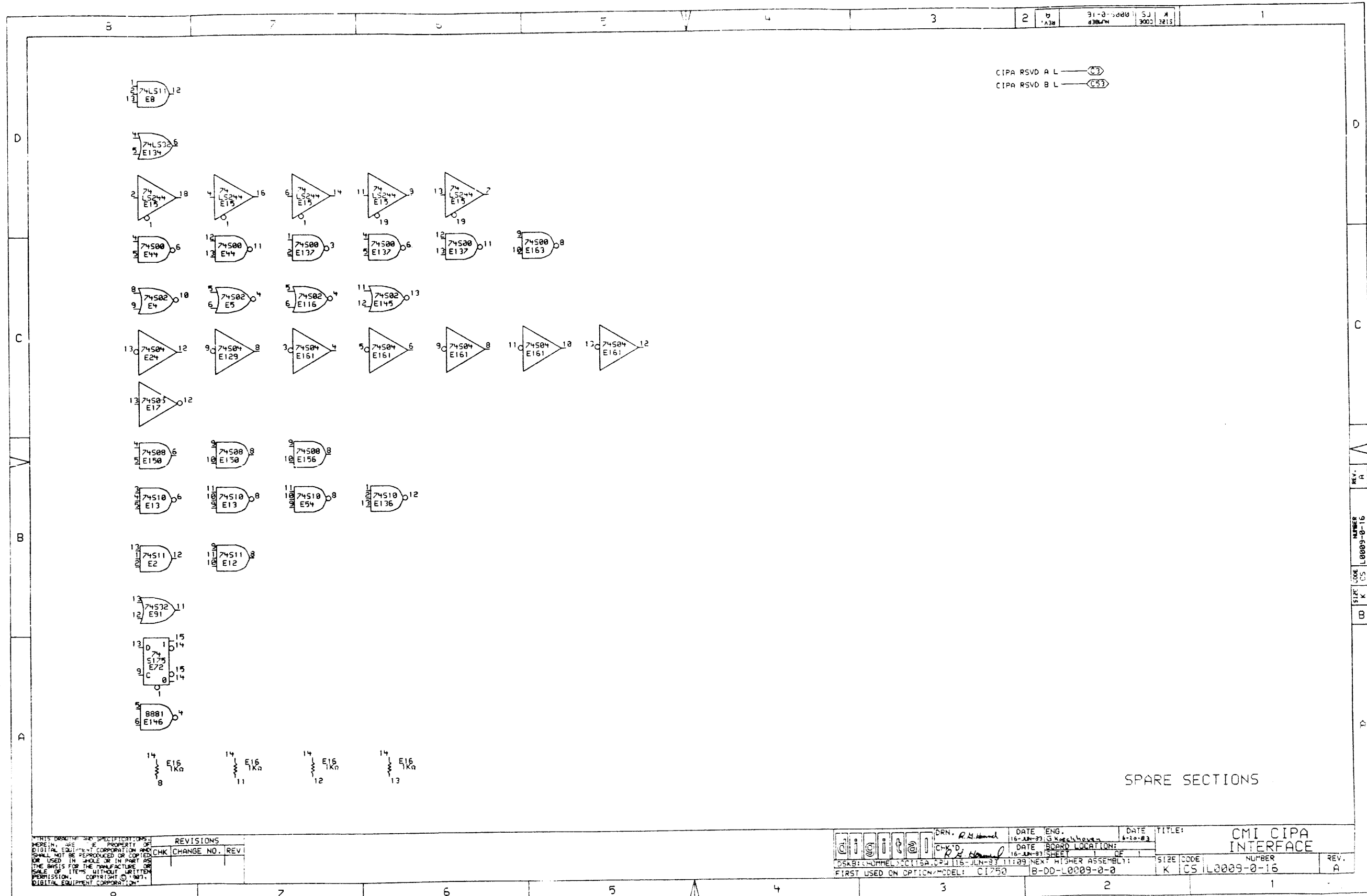
DIGITAL	DRN: R. L. ...	DATE ENG: 12-20-81	DATE: 11-10-82	TITLE: CMI CIPA INTERFACE
	CHK'D: ...	DATE BOARD LOCATION: 11-10-82	SHEET: 1 OF 1	SIZE: K
DSKB: HOMMEL/CCI114A.DRW (10-JUN-83 09:22 NEXT HIGHER ASSEMBLY: 18-DD-L8009-0-0)			NUMBER: L8009-0-14	REV: A



THIS DRAWING AND SPECIFICATIONS
HEREIN ARE THE PROPERTY OF
DIGITAL EQUIPMENT CORPORATION AND
SHALL NOT BE REPRODUCED OR COPIED
OR USED IN WHOLE OR IN PART AS
THE BASIS FOR THE MANUFACTURE OR
SALE OF ITEMS WITHOUT WRITTEN
PERMISSION. COPYRIGHT © 1983
DIGITAL EQUIPMENT CORPORATION.

REVISIONS
CHK CHANGE NO. REV

	DRN. <i>R. L. Howell</i>	DATE ENG. 13-JUN-83	DATE TITLE: 13-JUN-83	CMI CIPA INTERFACE	
	CHK'D <i>R. L. Howell</i>	DATE BOARD LOCATION: 13-JUN-83	SHEET 1 OF 1		
DSKB: <HOMTEL>CC115A.DRA 113-JUN-83 12:05 NEXT HIGHER ASSEMBLY:			SIZE CODE K CS	NUMBER L0009-0-15	REV. A
FIRST USED ON OPTION/MODEL: C1750			B-DD-L0009-0-0		



REVISIONS	
CHK	CHANGE NO. REV

	DRN: R.H. Hand	DATE ENG. 16-10-83	DATE 8-10-83	TITLE: CMI CIPA INTERFACE
	CHK'D: R.H. Hand	DATE BOARD LOCATION: 16-AM-83	SHEET 1 OF 1	REV. A
DSKB: HOMMEL > CC115A.DPL.1 16-JUN-83 11:09 NEXT HIGHER ASSEMBLY: B-DD-L0009-0-0		SIZE CODE K CS	NUMBER 10009-0-16	REV. A
FIRST USED ON OPTION/MODEL: C1750				

SIGNAL NAME	PAGE NUMBER(S)	SIGNAL NAME	PAGE NUMBER(S)	SIGNAL NAME	PAGE NUMBER(S)
ARB IN 0 (A) L	06	CCI XMIT DATA 31 H	01,13,14	CCI03 PULLUP A H	03,05,04,12,10,02
ARB IN 1 (A) L	06	CCI01 BUF CMI D 16 H	00,03,01,10	CCI03 READ LOCK H	07,03
ARB OUT (A) L	06,05	CCI01 BUF CMI D 17 H	00,03,10,01	CCI03 SET PDM L	10,03
CCI RCV DATA 00 H	04,09,08,11,13	CCI01 BUF CMI D 18 H	03,08,01	CCI03 SET PUP L	10,03
CCI RCV DATA 01 H	04,09,08,11,13	CCI01 BUF CMI D 19 H	03,10,09,01	CCI04 ALLOW RD H	04
CCI RCV DATA 02 H	04,09,08,11,13	CCI01 BUF CMI D 20 H	00,03,10,01	CCI04 ASSERT DBB2 H	04,14
CCI RCV DATA 03 H	04,09,08,11,13	CCI01 BUF CMI D 21 H	00,03,01	CCI04 ASSERT DBB2 L	04
CCI RCV DATA 04 H	04,09,08,11,13	CCI01 BUF CMI D 22 H	00,03,01,10	CCI04 CCI REG H	04
CCI RCV DATA 05 H	04,09,08,11,13	CCI01 BUF CMI D 23 H	00,03,01,10	CCI04 CCI REG L	04
CCI RCV DATA 06 H	04,09,08,11,13	CCI01 BUF CMI D 24 H	00,01	CCI04 CCI REG SEL 0 H	04,05
CCI RCV DATA 07 H	04,09,08,11,13	CCI01 BUF CMI D 25 H	00,01,03	CCI04 CCI REG SEL 1 H	04,05
CCI RCV DATA 08 H	04,09,08,11,13	CCI01 BUF CMI D 26 H	00,01	CCI04 CCI REG SEL 2 H	04,05
CCI RCV DATA 09 H	04,09,08,11,13	CCI01 BUF CMI D 27 H	04,03,00,01	CCI04 CI ADDRESS H	04,05
CCI RCV DATA 10 H	04,09,08,11,13	CCI01 BUF CMI D 28 H	00,01	CCI04 CI ADDRESS L	04,05,12
CCI RCV DATA 11 H	04,09,08,11,13	CCI01 BUF CMI D 29 H	00,01	CCI04 CIPA REG H	04,05
CCI RCV DATA 12 H	00,09,11,13	CCI01 BUF CMI D 30 H	00,01	CCI04 CLK ROLCK FF L	04,03
CCI RCV DATA 13 H	00,09,11,13	CCI01 BUF CMI D 31 H	10,00,01	CCI04 CMDADDR CYCLE H	04
CCI RCV DATA 14 H	00,09,11,13	CCI01 TST GND 1 L	02,01	CCI04 CNFGR SEL H	04,05
CCI RCV DATA 15 H	00,09,11,13	CCI02 BUF CMI D 00 H	04,00,02	CCI04 CNFGR SEL L	04,05
CCI XMIT DATA 00 H	13,14,02	CCI02 BUF CMI D 01 H	00,02	CCI04 DBB2 H	04
CCI XMIT DATA 01 H	13,14,02	CCI02 BUF CMI D 02 H	03,04,00,02	CCI04 DBB2 L	06,04,05
CCI XMIT DATA 02 H	02,13,14	CCI02 BUF CMI D 03 H	03,04,00,02	CCI04 ENA XMIT FILE H	04,05
CCI XMIT DATA 03 H	02,13,14	CCI02 BUF CMI D 04 H	03,04,00,02	CCI04 PREV DBB2 H	04
CCI XMIT DATA 04 H	02,13,14	CCI02 BUF CMI D 05 H	03,04,00,02	CCI04 PREV DBB2 L	04
CCI XMIT DATA 05 H	02,13,14	CCI02 BUF CMI D 06 H	03,04,00,02	CCI04 PULLUP B H	04,12,10,03,07,13,06
CCI XMIT DATA 06 H	02,13,14	CCI02 BUF CMI D 07 H	03,04,00,02	CCI04 RCV FILE SEL H	04,05
CCI XMIT DATA 07 H	02,13,14	CCI02 BUF CMI D 08 H	03,04,02,00,10	CCI04 READ H	04,05
CCI XMIT DATA 08 H	02,13,14	CCI02 BUF CMI D 09 H	03,04,02,00	CCI04 SET MIN H	04,03
CCI XMIT DATA 09 H	02,13,14	CCI02 BUF CMI D 10 H	03,04,02,00	CCI04 STATUS CYCLE H	10,04,07,12
CCI XMIT DATA 10 H	02,13,14	CCI02 BUF CMI D 11 H	03,04,02,00	CCI04 UNS READ H	04,11
CCI XMIT DATA 11 H	02,13,14	CCI02 BUF CMI D 12 H	03,02,00	CCI04 WRITE CNFGR ENA H	10,04
CCI XMIT DATA 12 H	02,14,13	CCI02 BUF CMI D 13 H	03,02,00,10	CCI04 WRITE H	04
CCI XMIT DATA 13 H	02,14,13	CCI02 BUF CMI D 14 H	03,02,00,10	CCI04 WRT ENA RCV FILE L	04
CCI XMIT DATA 14 H	02,14,13	CCI02 BUF CMI D 15 H	03,02,00	CCI04 WRT RCV FILE L	09,14,04
CCI XMIT DATA 15 H	02,14,13	CCI03 ADDR <11:6> 0 L	04,03	CCI05 ALLJ4 DO E H	12,05
CCI XMIT DATA 16 H	14,13,01	CCI03 ADDR <11:6> 24 L	04,03	CCI05 CLR CI ADDRESS L	05,04
CCI XMIT DATA 17 H	14,13,01	CCI03 CCI REG H	03,04	CCI05 CLR WAIT H	05,06
CCI XMIT DATA 18 H	14,01,13	CCI03 CI SPACE H	04,03	CCI05 DIAGN WRT ENA H	05
CCI XMIT DATA 19 H	14,01,13	CCI03 CLR PUP/PDM L	03,10	CCI05 DRIVE CIPA H	14,05
CCI XMIT DATA 20 H	01,13,14	CCI03 CNFGR H	03,04	CCI05 DRIVE CMI HI 0 L	05,01
CCI XMIT DATA 21 H	01,13,14	CCI03 DEL INIT A L	03,10	CCI05 DRIVE CMI HI 1 L	05,01
CCI XMIT DATA 22 H	13,14,01	CCI03 INIT A H	03,07,13	CCI05 DRIVE CMI LO 0 L	05,02
CCI XMIT DATA 23 H	13,14,01	CCI03 INIT A1 L	12,14,10,03,07	CCI05 DRIVE CMI LO 1 L	05,02
CCI XMIT DATA 24 H	01,13,14	CCI03 INIT A2 L	10,04,03	CCI05 ENA XMIT H	05
CCI XMIT DATA 25 H	01,13,14	CCI03 INIT C1 L	03	CCI05 LATCH EN H	13,05
CCI XMIT DATA 26 H	01,13,14	CCI03 INIT C2 L	04,05,03,07,06	CCI05 MUXA SEL A H	05,01,12
CCI XMIT DATA 27 H	01,13,14	CCI03 INIT C3 L	03	CCI05 MUXA SEL B H	05,01,12
CCI XMIT DATA 28 H	01,13,14	CCI03 INIT H	12,03	CCI05 MUXB SEL A H	05,02
CCI XMIT DATA 29 H	01,13,14	CCI03 MIN H	03,11	CCI05 MUXB SEL B H	05,02
CCI XMIT DATA 30 H	01,13,14	CCI03 NO CIPA H	02,03	CCI05 NS BIT 0 L	05

NOTES:
1. THIS PAGE LISTS THE SCHEMATIC PAGE NUMBER(S) WHERE A SIGNAL NAME IS REFERENCED.

CCI FORWARD
REFERENCING

REVISIONS	CHK	CHANGE NO.	REV

digital	DRN: R. L. Howard	DATE ENG. 13-JUN-83	DATE 6-12-83	TITLE: CMI CIPA INTERFACE
	CHK'D: R. L. Howard	DATE BOARD LOCATION: 13-JUN-83	SHEET 1 OF 1	
DSKB: CCMTEL CCI117A.DRW 118-JUN-83 09:03		NEXT HIGHER ASSEMBLY: 18-DD-L0009-0-0	SIZE CODE K CS	NUMBER L0009-0-17
FIRST USED ON OPTION MODEL: C1750				REV. A

8		7		6		5		4		3		2		1	
SIGNAL NAME		PAGE NUMBER(S)		SIGNAL NAME		PAGE NUMBER(S)		SIGNAL NAME		PAGE NUMBER(S)		REV. A		SIZE CODE NUMBER	
CCI05 NS BIT 1 L	05	CCI07 SYNC CE H	10,07	CCI10 DIAGNOSE L	03,14,04,11,07,05,10										
CCI05 NS BIT 2 L	05	CCI07 SYNC DCLO H	07,03	CCI10 NXH H	10,01										
CCI05 NS BIT 3 L	04,05	CCI07 SYNC GRANT H	07	CCI10 PDN H	01,10										
CCI05 NS BIT 4 L	05	CCI07 SYNC T ACLO H	10,07	CCI10 PDN L	10										
CCI05 RD ADDR OFFSET L	04,08,05	CCI07 SYNC T DCLO H	10,07	CCI10 PFD H	02,10										
CCI05 RD RCV FILE HI L	09,14,05	CCI08 RCV WD 00 H	08,09	CCI10 PUP H	01,10										
CCI05 RD RCV FILE LO L	09,05	CCI08 RCV WD 01 H	08,09	CCI10 RLTO H	10,01,11										
CCI05 RD RCV WD REG HI L	08,05	CCI08 RCV WD 02 H	08,09	CCI10 SET CRD L	10										
CCI05 RD RCV WD REG LO L	08,05	CCI08 RCV WD 03 H	08,09	CCI10 SET MSE H	11,10										
CCI05 RD RTN RD REG L	13,05	CCI08 RCV WD 04 H	08,09	CCI10 SET NXH L	10										
CCI05 RD XMIT FILE L	14,05	CCI08 RCV WD 05 H	08,09	CCI10 SET LCE L	10										
CCI05 SET REQUEST H	05,07	CCI08 RCV WD 06 H	08,09	CCI10 SYNC PORT INT H	06,10										
CCI05 WRT ADDR LO L	12,05	CCI08 RCV WD 07 H	08,09	CCI10 T ACLO H	02,10										
CCI05 WRT BYTE MASK L	12,05	CCI08 RCV WD 08 H	08,09	CCI10 T DCLO H	02,10										
CCI05 WRT CCI REG ENA H	14,05,13	CCI08 RCV WD 09 H	08,09	CCI10 UBUSVA INIT L	10,06										
CCI05 WRT CMDADDR HI L	12,14,05	CCI08 RCV WD 10 H	08,09	CCI10 LCE H	10,01										
CCI05 WRT ENA H	04,05	CCI08 RCV WD 11 H	08,09	CCI11 A GO H	11,07										
CCI05 WRT ENA STATUS L	10,05	CCI08 RCV WD 12 H	08,09	CCI11 B GO H	11,07										
CCI05 WRT PARITY ENA H	13,05	CCI08 RCV WD 13 H	08,09	CCI11 BUF CIPA DATA 00 H	11,13										
CCI05 WRT RCV WD REG L	08,05	CCI08 RCV WD 14 H	08,09	CCI11 BUF CIPA DATA 01 H	11,13										
CCI05 WRT RTN RD HI L	13,05	CCI08 RCV WD 15 H	08,09	CCI11 BUF CIPA DATA 02 H	11,13										
CCI05 WRT RTN RD LO L	13,05	CCI08 RCV WD 16 H	08,09	CCI11 BUF CIPA DATA 03 H	11,13										
CCI05 WRT XMIT FILE HI L	14,05	CCI08 RCV WD 17 H	08,09	CCI11 BUF CIPA DATA 04 H	11,13										
CCI05 WRT XMIT FILE LO L	14,05	CCI08 RCV WD 18 H	08,09	CCI11 BUF CIPA DATA 05 H	11,13										
CCI06 BG IN H	06	CCI08 RCV WD 19 H	08,09	CCI11 BUF CIPA DATA 06 H	11,13										
CCI06 BG OUT H	06	CCI08 RCV WD 20 H	08,09	CCI11 BUF CIPA DATA 07 H	11,13										
CCI06 BR H	06	CCI08 RCV WD 21 H	08,09	CCI11 BUF CIPA DATA 08 H	11,13										
CCI06 DO CMI MASTER H	06,05	CCI08 RCV WD 22 H	08,09	CCI11 BUF CIPA DATA 09 H	11,13										
CCI06 DO CMI MASTER L	04,06	CCI08 RCV WD 23 H	08,09	CCI11 BUF CIPA DATA 10 H	11,13										
CCI06 DO CMI XFER H	06,07	CCI08 RCV WD 24 H	08,09	CCI11 BUF CIPA DATA 11 H	11,13										
CCI06 GO ARB H	05,06	CCI08 RCV WD 25 H	08,09	CCI11 BUF CIPA DATA 12 H	11,13										
CCI06 PULLUP C H	06,02,12,01,11,05,10,14,03	CCI08 RCV WD 26 H	08,09	CCI11 BUF CIPA DATA 13 H	11,13										
CCI06 VECTOR 06 H	06,02	CCI08 RCV WD 27 H	08,09	CCI11 BUF CIPA DATA 14 H	11,13										
CCI06 VECTOR 07 H	06,02	CCI08 RCV WD 28 H	08,09	CCI11 BUF CIPA DATA 15 H	11,13										
CCI06 WAIT H	06,05	CCI08 RCV WD 29 H	08,09	CCI11 CIPA CLK F	05,11										
CCI06 WAIT L	06	CCI08 RCV WD 30 H	08,09	CCI11 CIPA DCLO H	11,07										
CCI07 A DONE H	07,11	CCI08 RCV WD 31 H	08,09	CCI11 CIPA ERROR H	11,07										
CCI07 ASSERT RLTO H	10,07	CCI09 EVEN PARITY H	11,09	CCI11 CIPA PARITY H	11,13										
CCI07 B DONE H	07,11	CCI09 HI EVEN PAR H	09	CCI11 CIPA REG SEL 0 H	11,05										
CCI07 CIPA XFER H	04,05,07	CCI10 ACLO H	10,11	CCI11 CIPA REG SEL 1 H	11,05										
CCI07 CIPA XFER L	07	CCI10 B CLK H	10,05,06,07,13,03	CCI11 CIPA REG SEL 2 H	11,05										
CCI07 CMDADDR 27 L	07	CCI10 B CLK L	08,10,05,04,07,07,06,12	CCI11 CIPA REG SEL 3 H	09,11,05										
CCI07 CTO H	05,07	CCI10 CBPE H	02,10	CCI11 CIPA UP H	11,03										
CCI07 D1 PORT INT H	07,10	CCI10 CLR ENA CE H	10,13	CCI11 GRANT H	11,07										
CCI07 GO H	05,07	CCI10 CRD H	01,10	CCI11 PORT INT H	11,07										
CCI07 POSSIBLE GO H	07	CCI10 CTO H	02,10	CCI11 T ACLO H	11,07										
CCI07 REQUEST H	04,07,11	CCI10 DCLO H	11,10	CCI11 T DCLO H	11,07										
CCI07 SET CTO L	10,07	CCI10 DCLO L	10,03	CCI12 CLR BYTE MASK L	12										
CCI07 SYNC A GO H	07	CCI10 DELAYED B CLK L	10,07,06,03,14	CCI12 CMDADDR 02 H	02,12										
CCI07 SYNC B GO H	07	CCI10 DIAGNOSE H	02,05,10	CCI12 CMDADDR 03 H	02,12										

NOTES:
1. THIS PAGE LISTS THE SCHEMATIC PAGE NUMBER(S) WHERE A SIGNAL NAME IS REFERENCED.

CCI FORWARD
REFERENCING

REVISIONS	CHK	CHANGE NO.	REV

digital DRN: R.L. Howard DATE: 11-28-83 ENG: G. Kozelsky DATE: 11-28-83 TITLE: CMI CIPA INTERFACE

CHK'D: R.L. Howard DATE: 11-28-83 BOARD LOCATION: 1 OF 1

DSK: CMI CIPA DRW 112 JUN 83 09:03 NEXT HIGH-ER ASSEMBLY: B-DD-L0009-0-0

FIRST USED ON OPTION/MODEL: C1750

SIZE CODE NUMBER REV. K ICS L0009-0-18 A

SIGNAL NAME		PAGE NUMBER(S)	SIGNAL NAME		PAGE NUMBER(S)	SIGNAL NAME		PAGE NUMBER(S)
LIBUS BR7 L		06						
LIBUS DCLO L		18						
LIBUS INIT L		10						

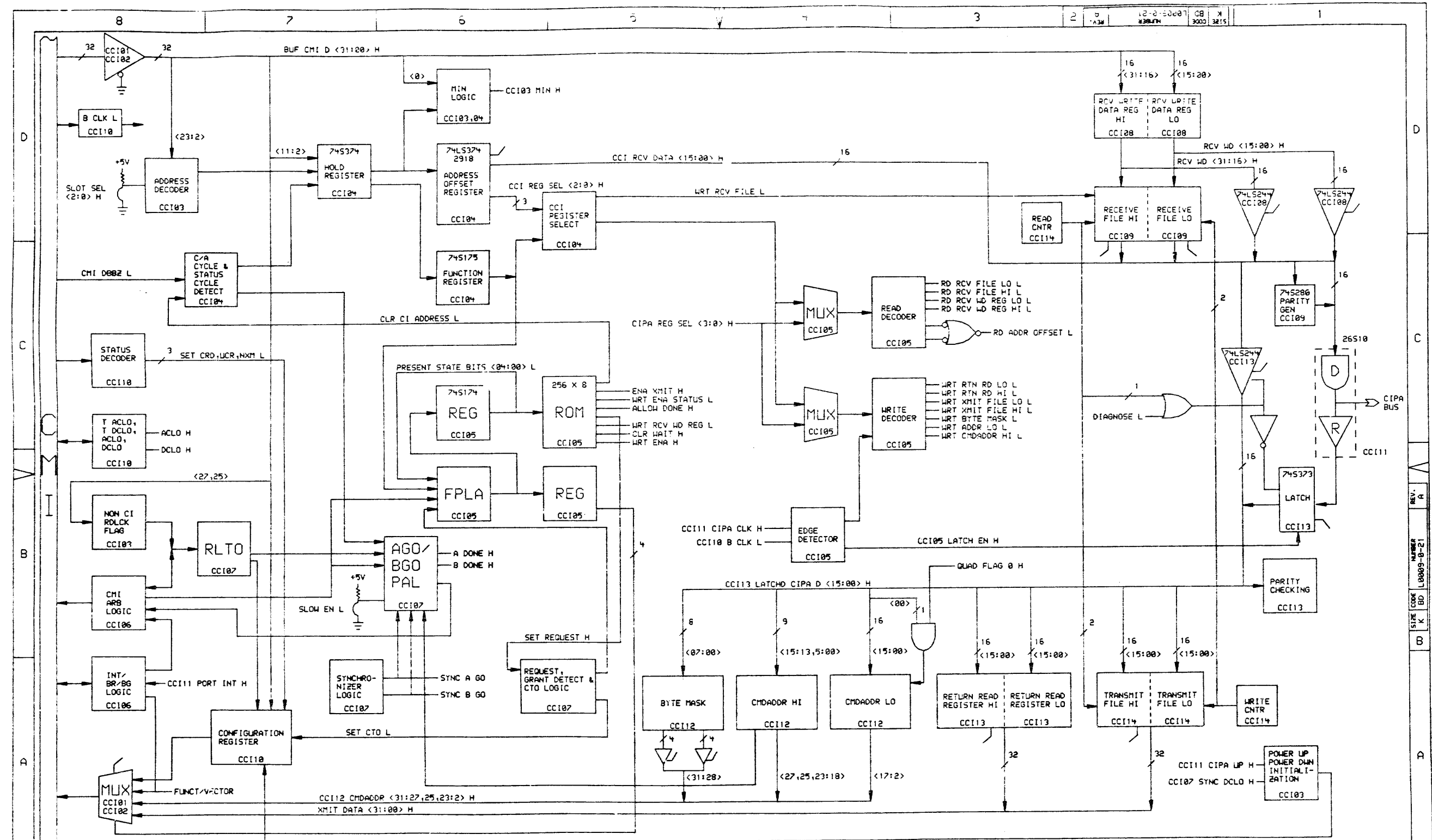
NOTES:
1. THIS PAGE LISTS THE SCHEMATIC PAGE NUMBER(S) WHERE A SIGNAL NAME IS REFERENCED.

CCI FORWARD REFERENCING

THIS DRAWING AND SPECIFICATIONS HEREIN ARE THE PROPERTY OF DIGITAL EQUIPMENT CORPORATION AND SHALL NOT BE REPRODUCED OR COPIED OR USED IN WHOLE OR IN PART AS THE BASIS FOR THE MANUFACTURE OR SALE OF ITEMS WITHOUT WRITTEN PERMISSION. COPYRIGHT © 1983. DIGITAL EQUIPMENT CORPORATION.

REVISIONS	
CHK	CHANGE NO. REV

digital	DRN: R.H. Hand	DATE ENG. 12-20-93	DATE 6-10-92	TITLE: CMI CIDA INTERFACE
	CHK'D: <i>[Signature]</i>	DATE BOARD LOCATION 12-20-93	SHEET	REV. A
DSK:K:\CAMEL\CC120A.DRW 10-JUN-93 09:03		NEXT HIGHER ASSEMBLY: B-DD-L0009-0-0	SIZE: K	NUM: 105
FIRST USED ON OPTION/MODEL: C1750				



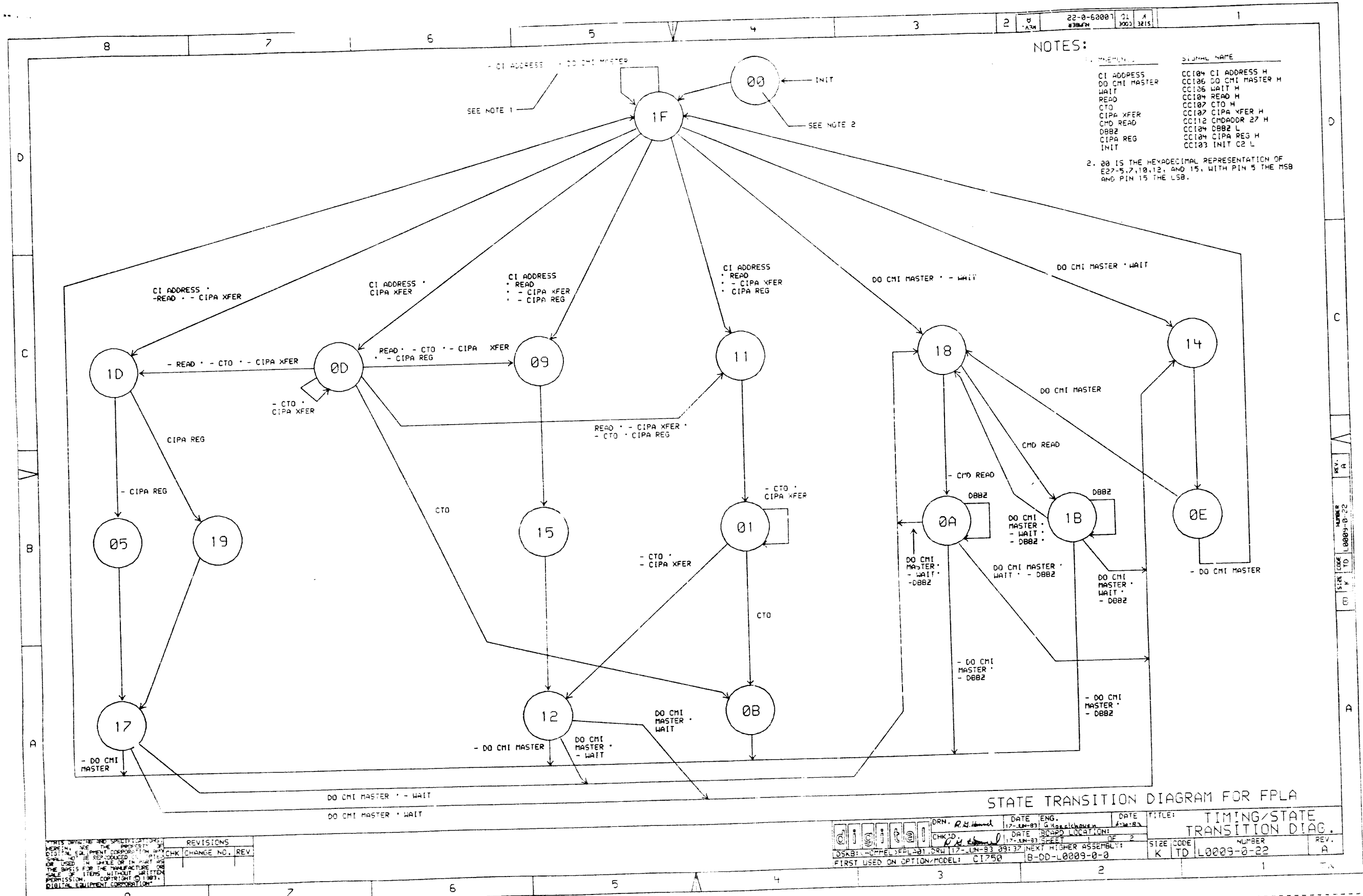
NOTE: / INDICATES TRI STATE

<p>THIS DESIGN AND SPECIFICATIONS ARE THE PROPERTY OF DIGITAL EQUIPMENT CORPORATION AND SHALL NOT BE REPRODUCED OR COPIED OR USED IN WHOLE OR IN PART AS THE BASIS FOR THE MANUFACTURE OR SALE OF ITEMS, WITHOUT WRITTEN PERMISSION. COPYRIGHT © 1983, DIGITAL EQUIPMENT CORPORATION.</p>	<p>REVISIONS</p> <table border="1"> <tr> <th>CHK</th> <th>CHANGE NO.</th> <th>REV</th> </tr> <tr> <td></td> <td></td> <td></td> </tr> </table>	CHK	CHANGE NO.	REV				<p>DATE ENG. 11-JUN-83</p> <p>DATE BOARD LOCATION: 6-23-83</p> <p>DATE SHEET 11-JUN-83</p> <p>DATE OF 1</p>	<p>TITLE: C.C.I. BLOCK DIAGRAM</p>
CHK	CHANGE NO.	REV							
<p>DSKB13:HPMEL>CCIBLK.DPL:1, SCALE 2, "D" RELEASE BOX</p>	<p>SIZE CODE K BD</p>	<p>NUMBER L0009-0-21</p>	<p>REV. A</p>						

NOTES:

SYMBOL	SIGNAL NAME
CI ADDRESS	CC104 CI ADDRESS H
DO CHI MASTER	CC106 DO CHI MASTER H
WAIT	CC106 WAIT H
READ	CC104 READ H
CTO	CC107 CTO H
CIPA XFER	CC107 CIPA XFER H
CMD READ	CC112 CMDADDR 27 H
DBBZ	CC104 DBBZ L
CIPA REG	CC104 CIPA REG H
INIT	CC103 INIT C2 L

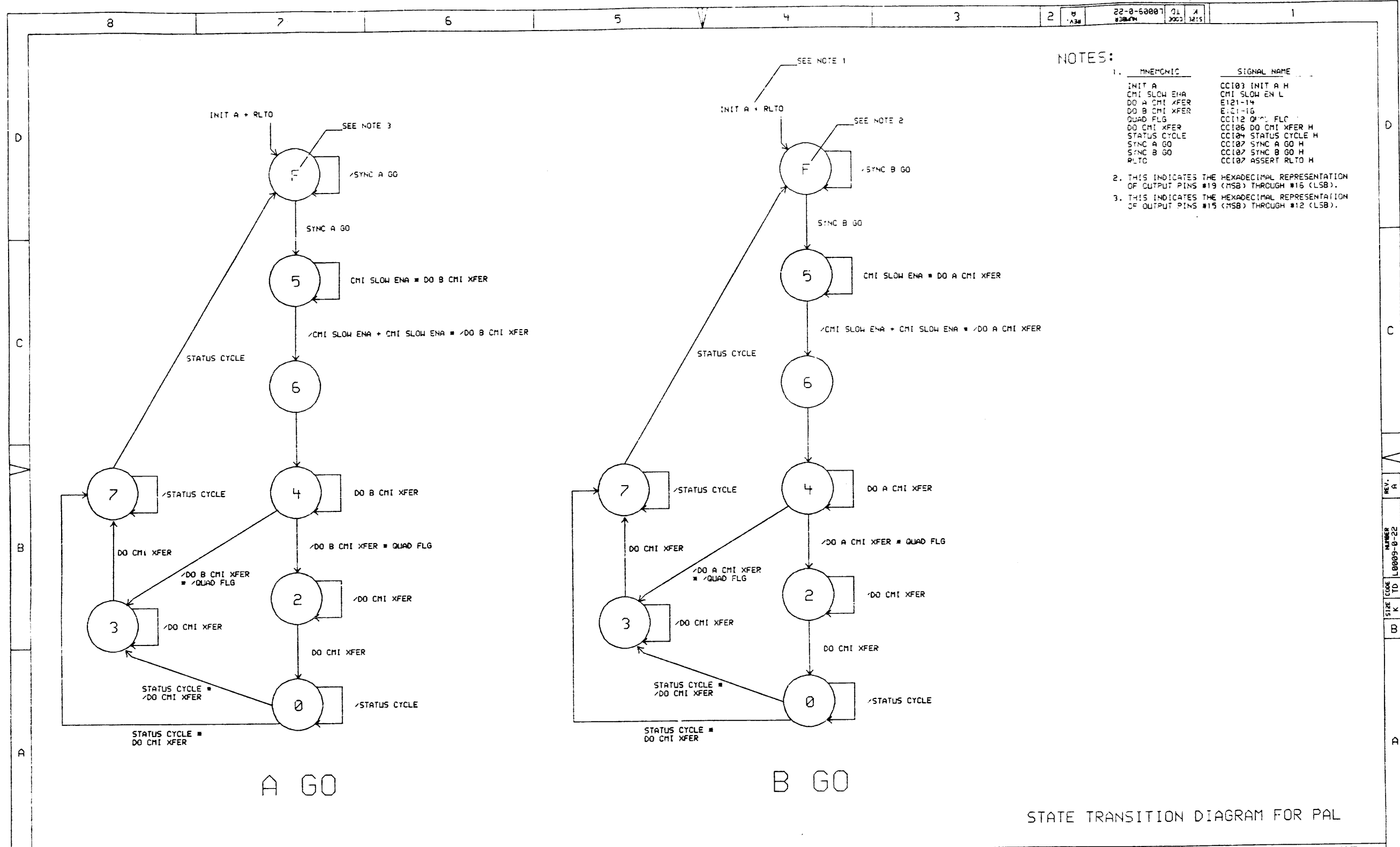
2. 00 IS THE HEXADECIMAL REPRESENTATION OF E27-5,7,10,13, AND 15, WITH PIN 5 THE MSB AND PIN 15 THE LSB.



STATE TRANSITION DIAGRAM FOR FPLA

REVISIONS
CHK CHANGE NO. REV

DATE ENG. 17-11-81	DATE 17-11-81	TITLE: TIMING/STATE TRANSITION DIAG.
DATE BOARD LOCATION: 17-11-81 SHEET 1 OF 2	DATE 17-11-81	SIZE CODE K
OSAB1-CMPL-DEPLAB1.DRW 17-11-81 09:37	NEXT HIGHER ASSEMBLY: 18-00-L0009-0-0	NUMBER TD L0009-0-22
FIRST USED ON OPTION/MODEL: CI750		REV. A



- NOTES:
- | MNEMONIC | SIGNAL NAME |
|---------------|----------------------|
| INIT A | CC103 INIT A H |
| CMI SLOW ENA | CMI SLOW EN L |
| DO A CMI XFER | E121-14 |
| DO B CMI XFER | E121-16 |
| QUAD FLG | CC112 QM: FLC |
| DO CMI XFER | CC106 DO CMI XFER H |
| STATUS CYCLE | CC104 STATUS CYCLE H |
| SYNC A GO | CC107 SYNC A GO H |
| SYNC B GO | CC107 SYNC B GO H |
| RLTO | CC107 ASSERT RLTO H |
 - THIS INDICATES THE HEXADECIMAL REPRESENTATION OF OUTPUT PINS #19 (MSB) THROUGH #16 (LSB).
 - THIS INDICATES THE HEXADECIMAL REPRESENTATION OF OUTPUT PINS #15 (MSB) THROUGH #12 (LSB).

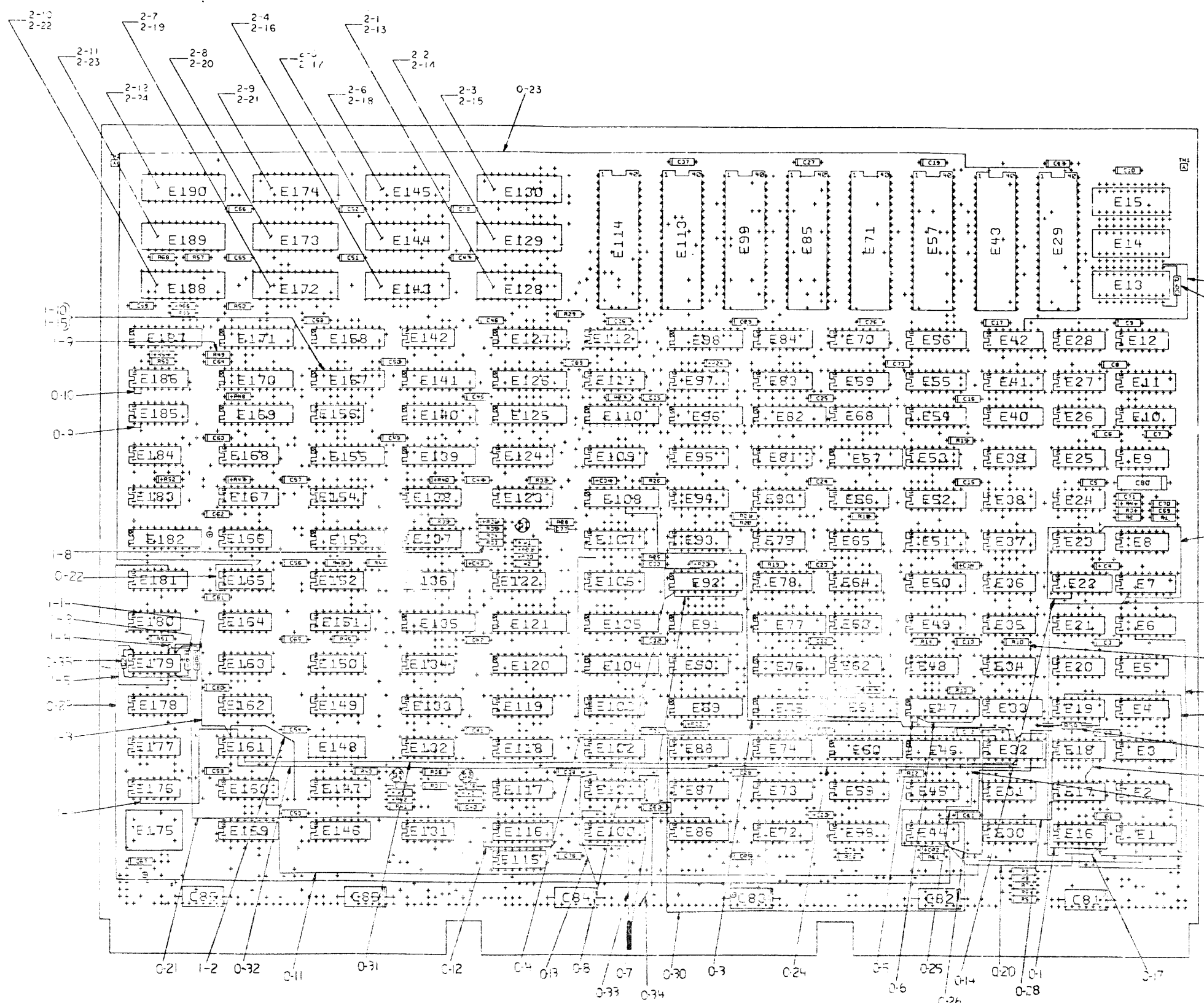
STATE TRANSITION DIAGRAM FOR PAL

THIS DRAWING AND SPECIFICATIONS HEREBY ARE THE PROPERTY OF DIGITAL EQUIPMENT CORPORATION AND SHALL NOT BE REPRODUCED OR COPIED OR USED IN WHOLE OR IN PART AS THE BASIS FOR THE MANUFACTURE OR SALE OF ITEMS WITHOUT WRITTEN PERMISSION. COPYRIGHT © 1983, DIGITAL EQUIPMENT CORPORATION.

REVISIONS
CHK CHANGE NO. REV

DRN: R. J. Howard	DATE: 17-JUN-83	ENG: G. K. Kuchta	DATE: 5-22-83	TITLE: TIMING/STATE TRANSITION DIAG.
CHK'D: R. J. Howard	DATE: 17-JUN-83	BOARD LOCATION: 2	SHEET: 2	REV. A
DSK3: <HOME>CCIPAL.DRW 117-JUN-83 09:02	NEXT HIGHER ASSEMBLY: B-DD-L0009-0-0	SIZE CODE: K	NUMBER: TD L0009-0-22	REV. A
FIRST USED ON OPTION/MODEL: C1750				TW

COMPONENT SIDE VIEW



DATE	10-17-67	
DESIGNED BY	J. J. ...	
CHECKED BY	J. J. ...	
REVISIONS		
NO.	DESCRIPTION	DATE
1
2
3
4
5
6
7
8
9
10
11
12
13
14
15
16
17
18
19
20
21
22
23
24
25
26
27
28
29
30
31
32
33
34
35
36
37
38
39
40
41
42
43
44
45
46
47
48
49
50
51
52
53
54
55
56
57
58
59
60
61
62
63
64
65
66
67
68
69
70
71
72
73
74
75
76
77
78
79
80
81
82
83
84
85
86
87
88
89
90
91
92
93
94
95
96
97
98
99
100

DATE	10-17-67	
DESIGNED BY	J. J. ...	
CHECKED BY	J. J. ...	
REVISIONS		
NO.	DESCRIPTION	DATE
1
2
3
4
5
6
7
8
9
10
11
12
13
14
15
16
17
18
19
20
21
22
23
24
25
26
27
28
29
30
31
32
33
34
35
36
37
38
39
40
41
42
43
44
45
46
47
48
49
50
51
52
53
54
55
56
57
58
59
60
61
62
63
64
65
66
67
68
69
70
71
72
73
74
75
76
77
78
79
80
81
82
83
84
85
86
87
88
89
90
91
92
93
94
95
96
97
98
99
100

NOTES:
 1. START LOCATIONS ARE DISCREPANCIES.
 2. ...
 3. ...
 4. ...
 5. ...
 6. ...
 7. ...
 8. ...
 9. ...
 10. ...
 11. ...
 12. ...
 13. ...
 14. ...
 15. ...
 16. ...
 17. ...
 18. ...
 19. ...
 20. ...
 21. ...
 22. ...
 23. ...
 24. ...
 25. ...
 26. ...
 27. ...
 28. ...
 29. ...
 30. ...
 31. ...
 32. ...
 33. ...
 34. ...
 35. ...
 36. ...
 37. ...
 38. ...
 39. ...
 40. ...
 41. ...
 42. ...
 43. ...
 44. ...
 45. ...
 46. ...
 47. ...
 48. ...
 49. ...
 50. ...
 51. ...
 52. ...
 53. ...
 54. ...
 55. ...
 56. ...
 57. ...
 58. ...
 59. ...
 60. ...
 61. ...
 62. ...
 63. ...
 64. ...
 65. ...
 66. ...
 67. ...
 68. ...
 69. ...
 70. ...
 71. ...
 72. ...
 73. ...
 74. ...
 75. ...
 76. ...
 77. ...
 78. ...
 79. ...
 80. ...
 81. ...
 82. ...
 83. ...
 84. ...
 85. ...
 86. ...
 87. ...
 88. ...
 89. ...
 90. ...
 91. ...
 92. ...
 93. ...
 94. ...
 95. ...
 96. ...
 97. ...
 98. ...
 99. ...
 100. ...

DATE	10-17-67	
DESIGNED BY	J. J. ...	
CHECKED BY	J. J. ...	
REVISIONS		
NO.	DESCRIPTION	DATE
1
2
3
4
5
6
7
8
9
10
11
12
13
14
15
16
17
18
19
20
21
22
23
24
25
26
27
28
29
30
31
32
33
34
35
36
37
38
39
40
41
42
43
44
45
46
47
48
49
50
51
52
53
54
55
56
57
58
59
60
61
62
63
64
65
66
67
68
69
70
71
72
73
74
75
76
77
78
79
80
81
82
83
84
85
86
87
88
89
90
91
92
93
94
95
96
97
98
99
100

THIS DRAWING AND ALL INFORMATION HEREON ARE THE PROPERTY OF THE U.S. GOVERNMENT AND ARE TO BE REPRODUCED AND TRANSMITTED IN ANY FORM OR BY ANY MEANS, ELECTRONIC OR MECHANICAL, INCLUDING PHOTOCOPYING, RECORDING, OR BY ANY INFORMATION STORAGE AND RETRIEVAL SYSTEM, WITHOUT PERMISSION IN WRITING FROM THE U.S. GOVERNMENT.

REWORK INSTRUCTIONS:

- WIRE ADDS SIDE 1:
 0-1 FROM E18-8 TO E17-1
 0-2 FROM E17-10 TO E18-6
 0-3 FROM E32-13 TO E108-6
 0-4 FROM E32-15 TO E107-2
 0-5 FROM E47-1 TO E47-2
 0-6 FROM E47-2 TO E47-10
 0-7 FROM E92-1 TO E92-10
 0-8 FROM E92-1 TO E92-15
 0-9 FROM E185-1 TO E185-2
 0-10 FROM E186-1 TO E186-2
 0-11 FROM E160-7 TO E1-4
 0-12 FROM PTH TWO TO THE LEFT OF E116-1 TO PTH TO THE RIGHT OF E116-8

- 0-13 FROM PTH ABOVE E100-14 TO PTH BELOW E100-2
 0-14 FROM E22-3 TO E23-9
 0-15 FROM E23-8 TO E7-2
 0-16 FROM E7-2 TO E16-1
 0-17 FROM E16-2 TO E16-7
 0-18 FROM E16-4 TO E19-13
 0-19 FROM E16-6 TO E6-3
 0-20 FROM E16-3 TO E44-6
 0-21 FROM E179-1 TO E86-11
 0-22 FROM E165-1 TO E165-10
 0-23 FROM E165-10 TO PTH BELOW RIGHT LEG OF C16
 0-24 FROM PTH BELOW E88-6 TO E32-12
 0-25 FROM E32-7 TO E44-4
 0-26 FROM E32-12 TO E44-5
 0-27 FROM E44-9 TO E32-5
 0-28 FROM E32-10 TO E44-10
 0-29 FROM E44-6 TO E181-11
 0-30 FROM E44-8 TO E88-11
 0-31 FROM E161-4 TO E32-5
 0-32 FROM E161-3 TO PTH BELOW E88-6
 0-33 FROM E101-15 TO B53
 0-34 FROM E101-9 TO PTH TWO BELOW E100-8

- COMPONENT ADDS SIDE 1
 0-35 ADD 11-00114-00 (D2) FROM E179-1 TO E179-14

LC400-TW001

- WIRE ADDS SIDE 1:
 1-1 FROM E176-2 TO E161-12
 1-2 FROM PTH TWO TO THE RIGHT OF E160-8 TO E161-13
 1-3 FROM E161-13 TO E179-8
 1-4 FROM E179-8 TO E179-9
 1-5 FROM E179-6 TO E179-14
 1-6 FROM E42-11 TO E18-11

- COMPONENT DELETES SIDE 1:
 1-7 DELETE R10
 1-8 DELETE R33
 1-9 DELETE R49
 1-0 DELETE E157

- COMPONENT ADDS SIDE 1:
 1-14 ADD 1002977-00 (R59) FROM E19-7 TO PTH BELOW E116-8 WITH 907278-11 (SLEEVING) A/R
 1-15 ADD 1002977-00 (R60) FROM E19-0 TO E18-11
 1-16 ADD 1002975-00 (R61) FROM E179-6 TO E179-9
 1-17 ADD 10063-00 (C57) FROM E179-1 TO E179-8
 1-18 ADD 100670-00 (E57)

REWORK INSTRUCTIONS R/R ECO #2

- COMPONENT DELETES SIDE 1:
 2-1 DELETE E113 P/N 19-15697-01
 2-2 DELETE E129 P/N 19-15697-01
 2-3 DELETE E130 P/N 19-15697-01
 2-4 DELETE E143 P/N 19-15697-01
 2-5 DELETE E144 P/N 19-15697-01
 2-6 DELETE E145 P/N 19-15697-01
 2-7 DELETE E172 P/N 19-15697-01
 2-8 DELETE E173 P/N 19-15697-01
 2-9 DELETE E174 P/N 19-15697-01
 2-10 DELETE E188 P/N 19-15697-01
 2-11 DELETE E189 P/N 19-15697-01
 2-12 DELETE E190 P/N 19-15697-01

- COMPONENT ADDS SIDE 1:
 2-13 ADD 21-21818-01 AT E128
 2-14 ADD 21-21818-01 AT E129
 2-15 ADD 21-21818-01 AT E130
 2-16 ADD 21-21818-01 AT E143
 2-17 ADD 21-21818-01 AT E144
 2-18 ADD 21-21818-01 AT E145
 2-19 ADD 21-21818-01 AT E172
 2-20 ADD 21-21818-01 AT E173
 2-21 ADD 21-21818-01 AT E174
 2-22 ADD 21-21818-01 AT E188
 2-23 ADD 21-21818-01 AT E189
 2-24 ADD 21-21818-01 AT E190

REV	NO	DATE	BY	CHKD	APP

LINE	ITEM	TOP DOCUMENT	PART NUMBER	MIN REV	DESCRIPTION	QTY	PER VARIATION	REFERENCE DESIGNATOR
					VARIATION REVISION LEVEL:	00		
						C1		
1	1	D-MD-5015550-0-0	5015550-00		DRILL AND ETCH	0		
2	43		23054K5-00		K5-01	1		E60
3	4		1001610-00		.01 MFD 50V +80-20% Z5U CER	4		C77-C79,C87
4	80		1004813-00		10 MFD 20V 10% S.TANT	1		C80
5	2		1012784-00		.047 MFD 50V +80-20% CER	72		C1-C68,C70,C73,C75,C76
6	3		1013466-09		1000.0 MMF 50V 10% X7R CER	4		C69,C71,C72,C74
7	81		1017472-00		10 MFD 35V +75-10% AL EL	6		C81-C86
8	5		1114136-00		LED 16MA 5V	1		D1
9	78		1216988-02		HANDLE,MODULE,HEX TWO EJECTORS	1		
10	73		1300229-00		100.0 .25 W 5.0 % CF	4		R13,R23,R22,R55
11	76		1300309-00		390.0 .25 W 5.0 % CF	2		R11,R16
12	63		1300316-00		470.0 .25 W 5.0 % CF	1		R29
13	64		1300365-00		1.0 K .25 W 5.0 % CF	17		R6-R9,R14,R18,R19,R24,R27,R35, R44,R46,R47,R50,R51,R17,R61
14	72		1300197-00		33.0 .25 W 5.0 % CF	11	CONT	R15,R20,R21,R25,R26,R28,R32,R39, CONT R40,R52,R56
15	67		1302298-00		261.0 K .25 W 1.0 % RN55C-F 5	1		R4
16	68		1302379-00		75.0 .25 W 5.0 % CF	1		R12
17	70		1302858-00		100.0 .25 W 1.0 % RN55D-F10	4		R57,R53,R31,R42
18	69		1303064-00		75.0 .25 W 1.0 % RN55D-F10	7		R5,R34,R36,R37,R38,R43,R48
19	65		1304839-00		51.0 K .25 W 5.0 % CF	2		R2,R3
20	71		1304857-00		237.0 .25 W 1.0 % RN55D-F10	2		R58,R54
21	52		1312528-00		R NETWORK 14-176.5 14-375 16PIN	3		E86,E100,E116
22	75		1316836-00		402.0 .25 W 1.0 % RN55D-F10	2		R30,R41
23	66		1318150-13		53.60 K .25 W 1.0 % RN55D-F10	1		R1
24	77		1503121-00		2N 2369 NPN 350MW SI N	3		Q1,Q2,Q3
25	58		1616653-1		DELAY= 100NS,10TAPS WITH TTLBU	1		E148
26	60		1811660-		OSCILLATOR, XTAL 20.000 MHZ	1		E175
27	21		1910532-00		74S00 NAND GATE-QUAD 2IN	4		E20,E64,E80,E163
28	23		1910534-00		74S04 INVERTER GATE-HEX 1I	4		E23,E35,E161,E162

REVISION HISTORY		BASIC PART NO: L0400		DRN: S.MANSOR	DATE: 14-JUL-83	D I G I T A L		
ENG:	ECO NUMBER	REV	SECTION A OF A	CHK'D: E.T.GERRY	DATE: 11-17-82	TITLE PARTS LIST		
---	INITIAL	A	SECTION VARIATION INDEX	DES.ENG: G.KOECKHOVEN	DATE: 27-JUN-83	DOCUMENT NUMBER		
RE	L0400-TW001	B	(A) 00	RESP.ENG.: J COYLE	DATE: 11-17-82	SIZE	CODE	NUMBER
RE	L0400-TW002	C	(B)	MFG.ENG.: BARRY NEWMANN	DATE: 27-JUN-83	K	PL	L0400-0-DBP
			(C)	ASSEMBLY NUMBER:	TOP DOCUMENT NUMBER:	FILE NAME:		EDIT #
			(D)	E-UA-L0400-0-0	B-DD-L0400-0-0	Z3934C.PLS		17
			(E)			RELEASE DATE: 25-JAN-85		
			(F)					
			(G)					
			(H)					
			(I)					
			(J)					
			(K)					
			(L)					
			(M)					
			(N)					

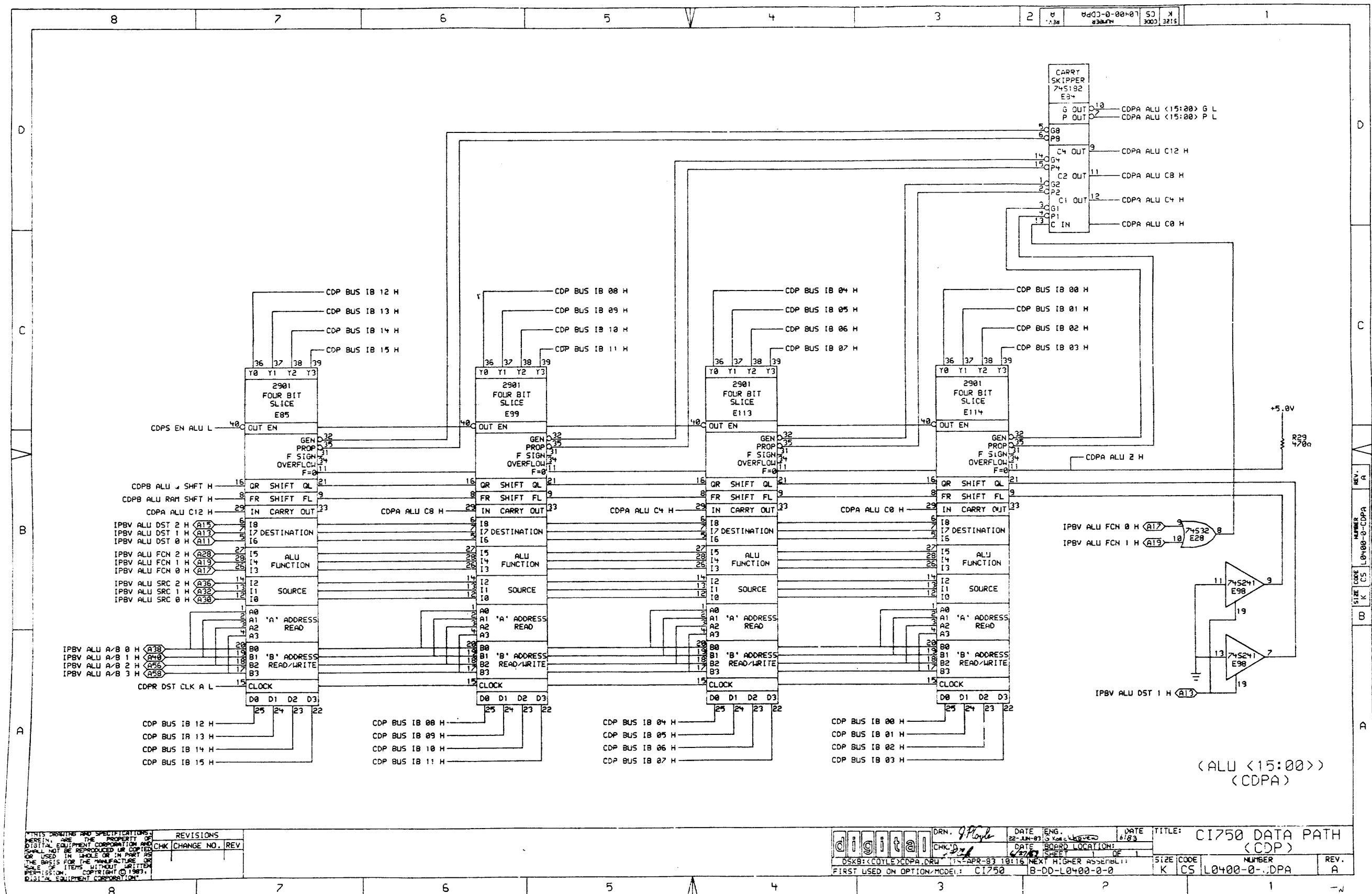
"THIS DRAWING AND THE SPECIFICATIONS CONTAINED HEREIN ARE CONFIDENTIAL AND PROPRIETARY. THEY ARE THE PROPERTY OF DIGITAL EQUIPMENT CORPORATION AND SHALL NOT BE REPRODUCED OR COPIED OR USED IN WHOLE OR IN PART AS THE BASIS FOR THE MANUFACTURE OR SALE OF ITEMS WITHOUT WRITTEN PERMISSION. THIS IS AN UNPUBLISHED WORK PROTECTED UNDER THE FEDERAL COPYRIGHT LAWS."

LINE	ITEM	TOP DOCUMENT	PART NUMBER	MIN REV	DESCRIPTION	QTY	PER VARIATION	REFERENCE DESIGNATOR
					VARIATION REVISION LEVEL:	00		
						C1		
29	25		1910536-00		74S10 NAND GATE-TRIPLE 3IN	1		E27
30	10		1910537-00		74S11 AND GATE-TRIPLE 3INP	4		E5,E36,E38,E45
31	9		1910539-00		74S20 NAND GATE-DUAL 4INPU	1		E4
32	31		1910542-00		74S64 A-0-I GATE 4-2-3-2	4		E37,E142,E183,E184
33	18		1910544-00		74S74 FF-D DUAL,EDGE TRIGG	5		E16,E18,E30,E149,E152
34	57		1910545-00		74S112 FF-JK DUAL,EDGE TRIG	1		E147
35	51		1910547-00		74S153 MUX 1 OF 4 (DUAL)	5		E83,E93,E94,E123,E138
36	61		1910549-00		74S158 MUX 1 OF 2 (QUAD)	1		E178
37	29		1910550-00		74S174 FF-D HEX	7		E33,E59,E90,E106,E119,E124,E137
38	32		1910552-00		74S194 SHIFT REG.,4BIT RIGH	3		E40,E42,E78
39	33		1910956-00		74S151 MUX 1 OF 8	2		E41,E52
40	37		1910957-00		74S175 FF-D QUAD COMMON CLO	3		E50,E160,E167
41	55		1911573-00		74S280 PARITY GEN/CHKR,9BIT	5		E112,E134,E136,E154,E156
42	49		1911641-00	SN	74S257 MUX,QUAD 2 TO 1	4		E81,E95,E107,E109
43	8		1911675-00		74S138 DECODER/DEMUX 3-8 LI	2		E3,E133
44	59		1911676-00		74S139 DECODER-DUAL TWO-INP	2		E151,E159
45	19		1911712-00		74S51 AND-OR GATE-INVERT D	3		E17,E24,E176
46	40		1912089-00		74S85 CMPRTR-4BIT MAGNITUD	1		E55
47	27		1912096-00	DEC	74S86 XOR GATE,QUAD 2IN	2		E31,E177
48	41		1912097-00	SN	74S182 LOOK AHD CARRY GEN	3		E56,E70,E84
49	17		1912388-00		74S02 NOR GATE-QUAD 2IN,PO	4		E12,E39,E48,E180
50	7		1912389-00		74S08 AND GATE-QUAD 2IN,PO	3		E2,E21,E65
51	16		1912646-00		LS253 MUX 1 OF 4 (DUAL)	1		E11
52	15		1912697-00		LS174 FF-D HEX W/CLEAR	1		E10
53	38		1912728-00		74S251 MUX 1 OF 8 TRI-STA	3		E51,E97,E111
54	30		1912746-00	DEC	74S37 NAND GATE-QUAD 2IN	4		E34,E115,E131,E150
55	45		1912805-00		LS08 AND GATE-QUAD 2IN,PO	2		E63,E132
56	24		1912813-00		LS27 NOR GATE-TRIPLE 3IN	1		E26
57	20		1912824-00		LS74 FF-D DUAL,EDGE TRIGG	3		E19,E25,E62
58	11		1912828-00		LS85 COMPARATOR,4BIT MAGN	1		E6
59	6		1912833-00		LS109 FF-JK DUAL,POS EDGE	6		E1,E49,E66,E88,E168,E181
60	34		1912838-00		LS132 NAND GATE-QUAD 2IN P	1		E44
61	12		1912849-00		LS161 COUNTER,SYNCHR,4BIT	1		E7
62	28		1912853-00		LS175 FF-D QUAD	1		E32
63	39		1912860-00		LS259 LATCH 8BIT	1		E54
64	54		1912863-00		LS273 FF-D OCTAL W/CLEAR	3		E108,E182,E187
65	26		1913245-02		2901A-1 MICROPRESCCESSOR 4-	8		E29,E43,E57,E71,E85,E99,E113, E114
66	13		1913340-00		74S32 OR GATE-QUAD 2IN	5	CONT	E8,E28,E53,E79,E122
67	50		1913493-00		74S241 OCTAL BUFFER,TRI-STA	5		E82,E96,E98,E125,E126
68	62		1913662-01		RAM 1KX1 16 PIN TT	2		E185,E186
69	53		1913670-00		74S373 LATCH,8BIT TRANS TRI	4		E89,E110,E127,E171
70	35		1913671-00		74S374 FF-D,OCTAL,TR1 STATE	8		E77,E91,E104,E105,E135,E153, E155,E158
71	42		1913788-00		26S10 TRANSCEIVER,BUS,QUA	10	CONT	E58,E72,E73,E74,E87,E101,E102, E103,E117,E118
72	47		1914082-00		74S163 COUNTER,SYNCH UP/DOW	3	CONT	E68,E69,E146
73	48		1914214-00		LS374 FF-D OCTAL EDGE TRIG	8		E75,E76,E120,E121,E139,E140.

D	I	G	I	T	A	L	TITLE	C.D.P. MODULE	SECTION A	OF A	SIZE	CODE	DOCUMENT NUMBER	REV
											K	PL	L0400-0-DBP	C

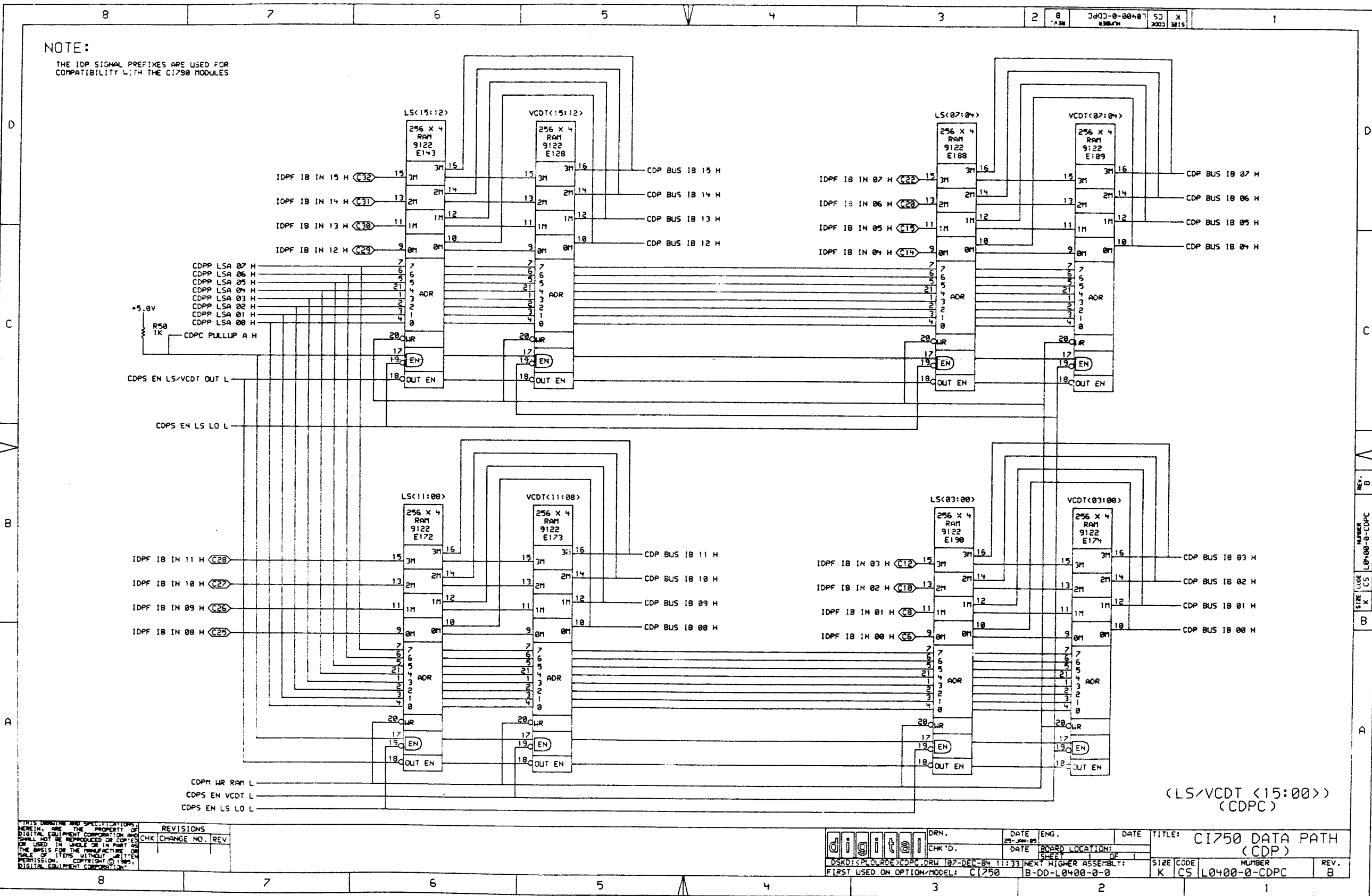
LINE	ITEM	TOP DOCUMENT	PART NUMBER	MIN REV DESCRIPTION	QTY PER VARIATION	REFERENCE DESIGNATOR
				VARIATION REVISION LEVEL:	00 01	
74	14		1914392-00	556 TIMER-DUAL	1	CONT E141,E169
75	46		1915193-00	LS244 DRIVER,LINE,OCTAL,TR	2	E9
76	22		1915234-00	LS390 COUNTER,DECADE,DUAL,	1	E67,E170
77	56		2121818-01	MOS STATIC RAM 256X4 SEPARATE I/	12	E22
78	36		23094B1-00	B1-01	1	CONT E128,E129,E130,E143,E144,E145,
79	44		23E12F1-00	F1-01	1	E172,E173,E174,E188,E189,E190
80	79		9000024-01	EYELET,ROLLED 0.1210DX0.192	12	E47
81	74		9009185-00	JUMPER, WIRE, INSULATED, BLACK B	3	E61
82	82		1215006-03	SKT,IC 18PIN DIP TIN SOLD	1	W1,R45,W5
83	83		1215006-04	SKT,IC 20PIN DIP TIN SOLD	3	XE61
84	84		1910544-01	74S74-60GG-D DUAL,EDGE TRIG	1	XE47,XE92,XE60
85	85		1100114-00	PIV= 25 IO=135 MA	1	E165
86	86		9105740-55	WIRE(WRAP) 30AWG KYNAR UL14	1	D2
87	87		23095B1-00	B1-01	1	E92
88	88		1913671-50	74S374 FF-D,OCTAL,TRI STATE	1	E46
89	89		9107278-11	TUBING,TEFLON .042ID	A/R	
90	90		1302377-00	39.0 .25 W 5.0 % CF	2	R59,R60
91	91		1913670-01	DM 74S373N LATCH,8BIT TRANS	1	E157

D I G I T A L	TITLE	C.D.P. MODULE	SECTION A OF A	SIZE	CODE	DOCUMENT NUMBER	REV
				K	PL	L0400-0-DSP	C



REVISIONS	
CHK	CHANGE NO. REV.

digital	DRN. J. Ployle	DATE ENG. 22-APR-83	DATE 6/83	TITLE: CI750 DATA PATH (CDP)
	CHK. D. J. Ployle	DATE BOARD LOCATION: 6/83	SHEET 1 OF 1	SIZE CODE NUMBER REV. K CS L0400-0-DPA A
FIRST USED ON OPTION MODEL: CI750		NEXT HIGHER ASSEMBLY: B-DD-L0400-0-0		



THIS DRAWING AND SPECIFICATIONS ARE THE PROPERTY OF DIGITAL EQUIPMENT CORPORATION AND SHALL NOT BE REPRODUCED OR COPIED IN WHOLE OR IN PART OR USED IN ANY MANNER AS THE BASIS FOR THE MANUFACTURE OR SALE OF ITEMS WITHOUT WRITTEN PERMISSION. COPYRIGHT © 1984, DIGITAL EQUIPMENT CORPORATION.

REVISIONS	
CHK	CHANGE NO. REV

digital DRN. DATE ENG. DATE TITLE: CI750 DATA PATH (CDP)

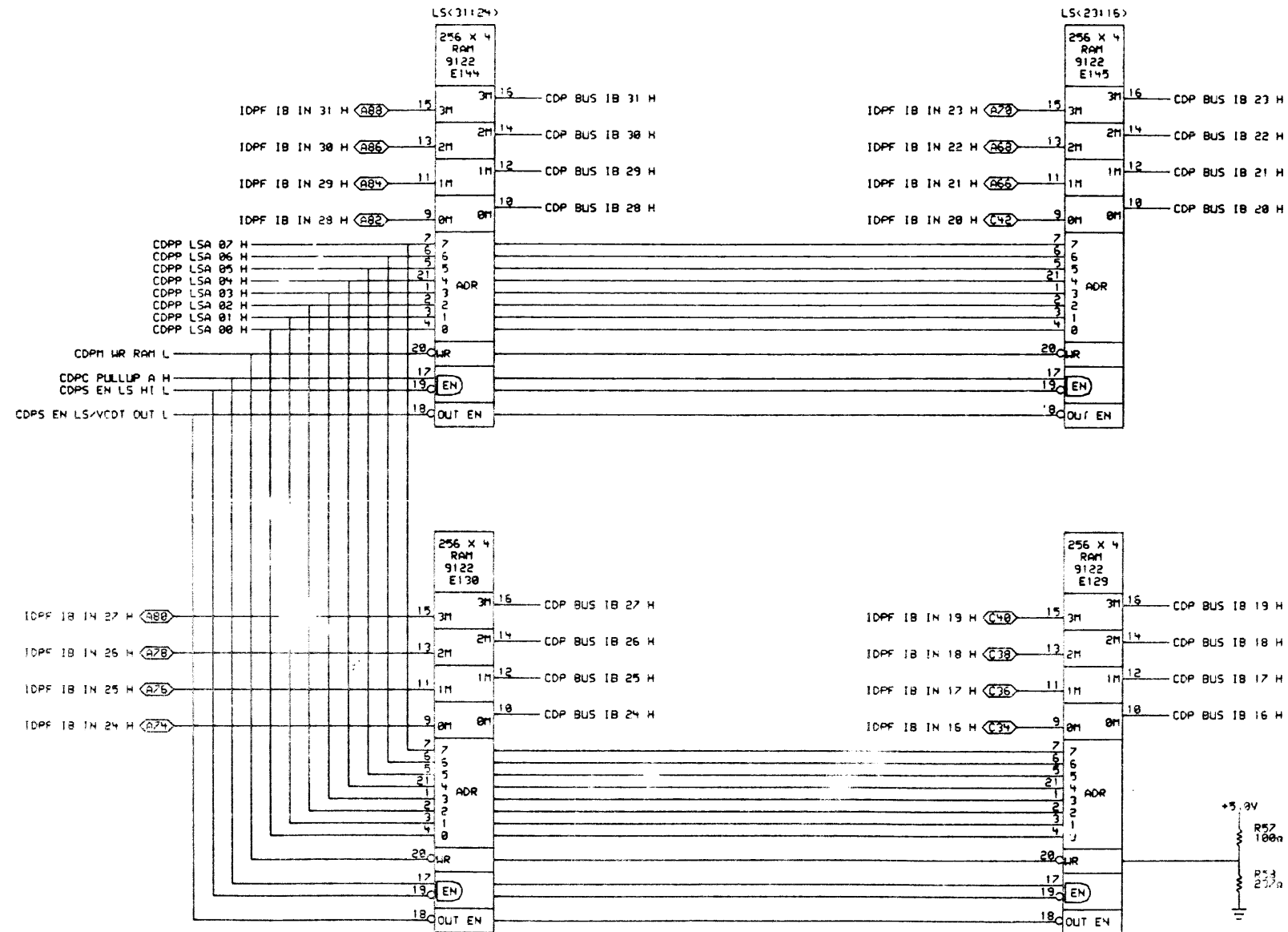
CHK'D. DATE BOARD LOCATION: SHEET OF 1

DSKDI:CPLEDES:CDPC.DRW 07-DEC-84 11:33 NEXT HIGHER ASSEMBLY: B-DD-L0400-0-0

FIRST USED ON OPTION MODEL: CI750

SIZE	CODE	NUMBER	REV.
K	CS	L0400-0-CDPC	B

NOTE:
THE IDP SIGNAL PREFIXES ARE USED FOR
COMPATIBILITY WITH THE C1790 MODULES

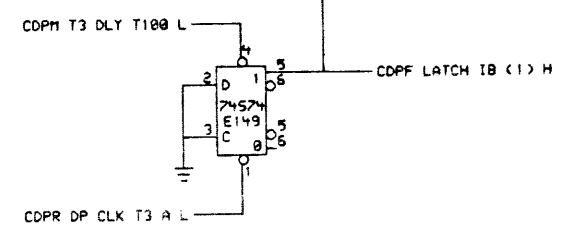
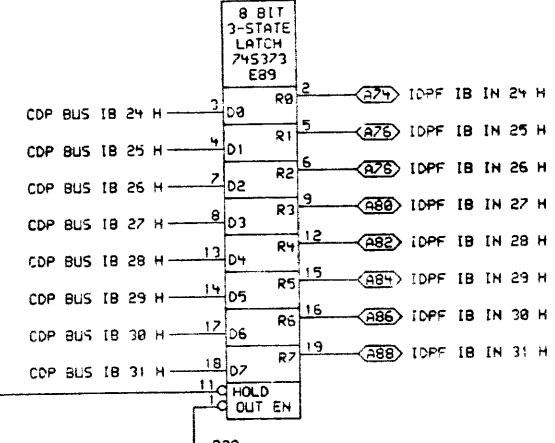
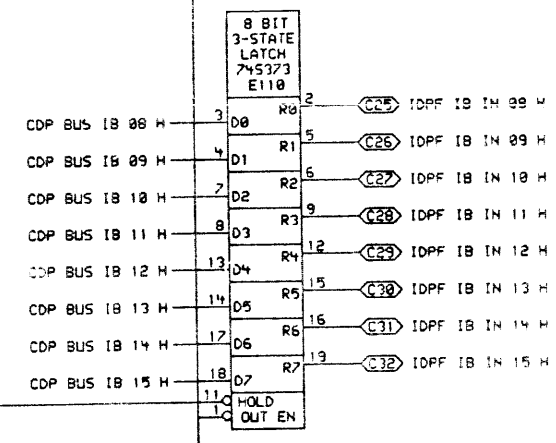
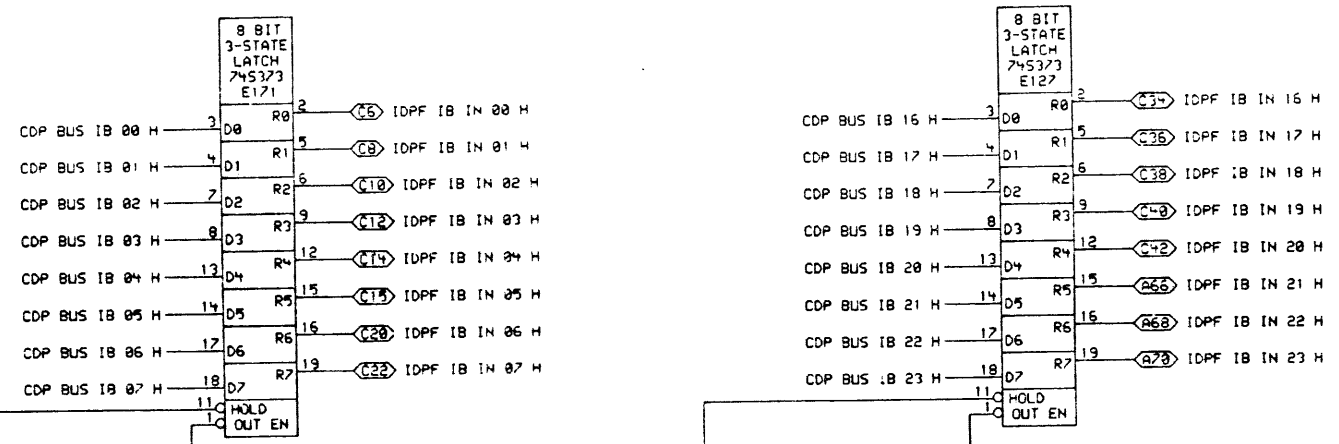


(LS <31:16>)
(CDPD)

REVISIONS	CHK	CHANGE NO.	REV

digital	DRN.	DATE	ENG.	DATE	TITLE: C1750 DATA PATH
	CHK'D.	DATE	BOARD LOCATION:		(CDP)
FIRST USED ON OPTION MODEL: C1750		DATE			
NEXT HIGHER ASSEMBLY: B-DD-L0400-0-0					
SIZE	CODE	NUMBER	REV.		
K	CS	L0400-0-CDPD	B		

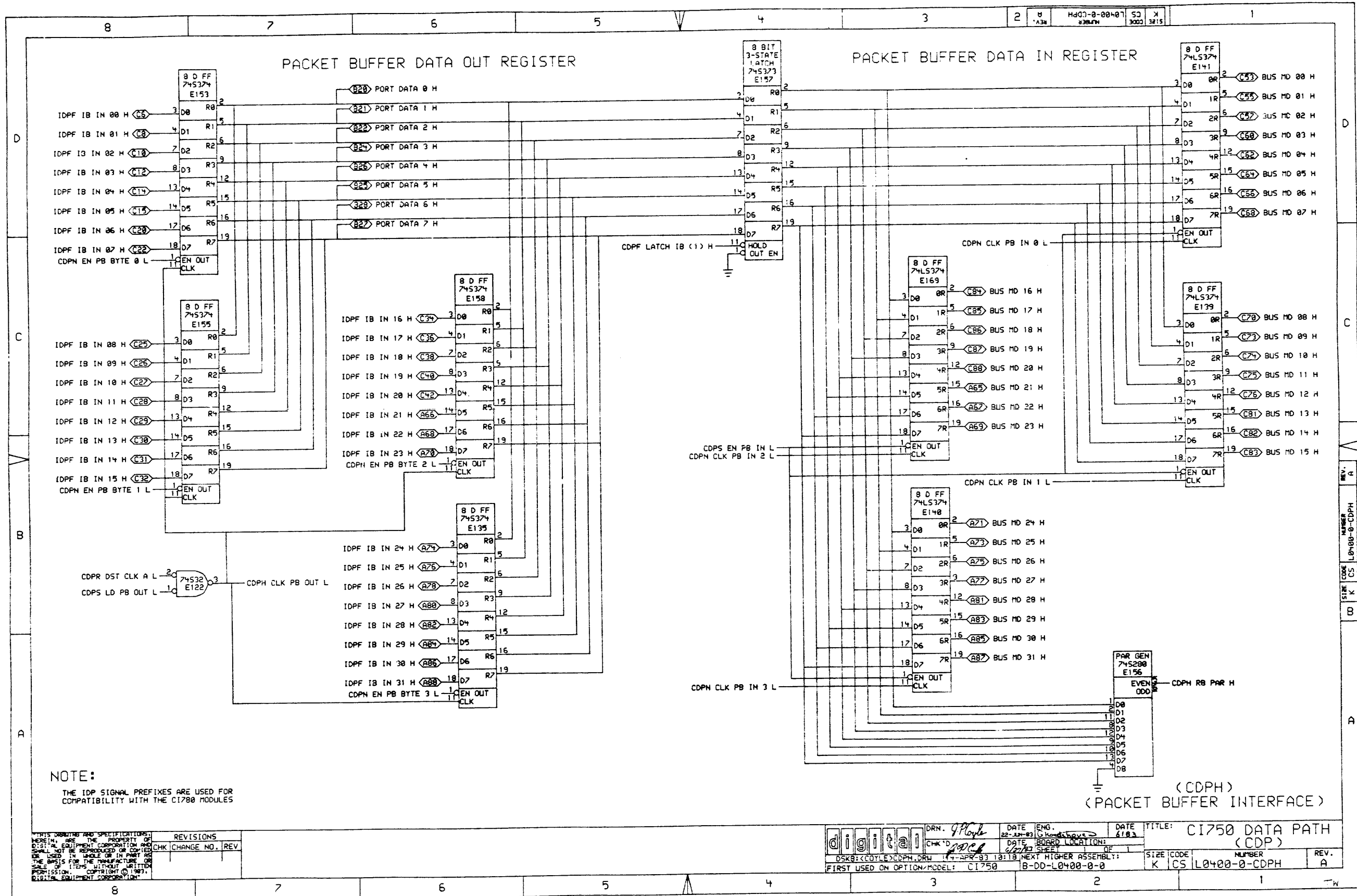
NOTE:
THE IOP SIGNAL PREFIXES ARE USED FOR
COMPATIBILITY WITH THE CI780 MODULES



(BUS IB BUFFERS)
(CDPF)

REV.	CHG.	NO.	REV.

digital	DRN. <i>J.P. Coyle</i>	DATE ENG. 22-JUN-83	DATE 6/83	TITLE: CI750 DATA PATH (CDP)
	CHK'D <i>J.P. Coyle</i>	DATE BOARD LOCATION: 4/22/83	SHEET 1 OF 1	SIZE CODE: K 1CS L0400-0-CDPF
FIRST USED ON OPTION/MODEL: CI750			IB-DD-L04-22-0-0	NUMBER: A

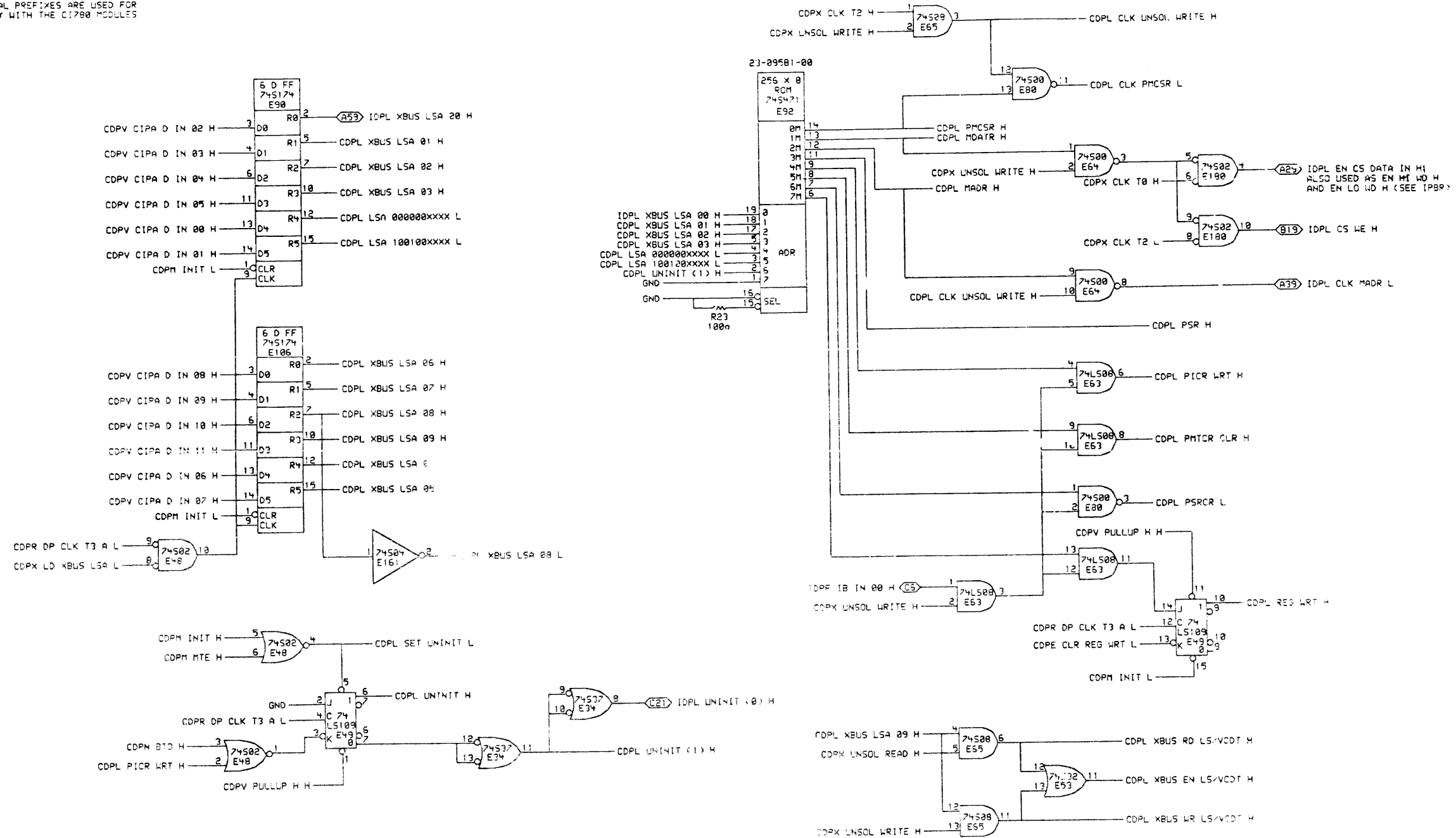


NOTE:
THE IDP SIGNAL PREFIXES ARE USED FOR COMPATIBILITY WITH THE CI780 MODULES

REV. NO.	DATE	DESCRIPTION
1	22-12-83	INITIAL RELEASE

DRN. <i>9/16/83</i>	DATE <i>22-12-83</i>	ENG. <i>CK</i>	DATE <i>6/18/83</i>	TITLE: CI750 DATA PATH (CDP)
CHK'D <i>9/16/83</i>	DATE <i>6/18/83</i>	BOARD LOCATION: <i>DE</i>	SIZE CODE: K CS	NUMBER: L0400-0-CDPH
DSKB: <<COYLE>>CDPH.DRW		DATE: 17-APR-83 13:18	NEXT HIGHER ASSEMBLY: B-DD-L0400-0-0	REV. A
FIRST USED ON OPTION MODEL: CI750				

NOTE:
THE IDP SIGNAL PREFIXES ARE USED FOR
COMPATIBILITY WITH THE C1700 MODULES



(REGISTER CONTROL)
(CDPL)

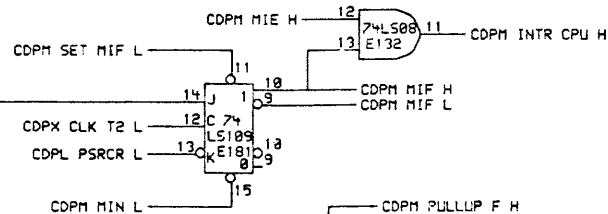
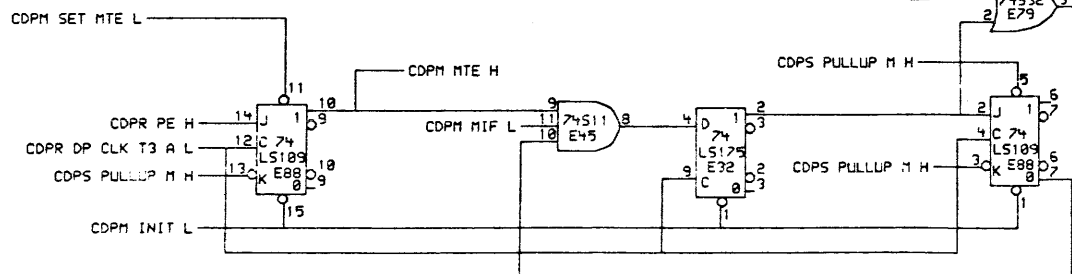
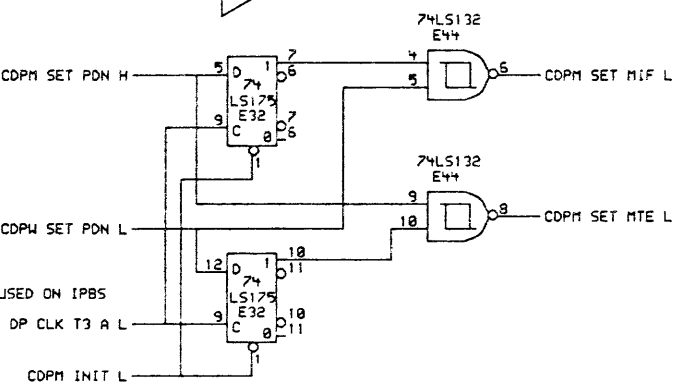
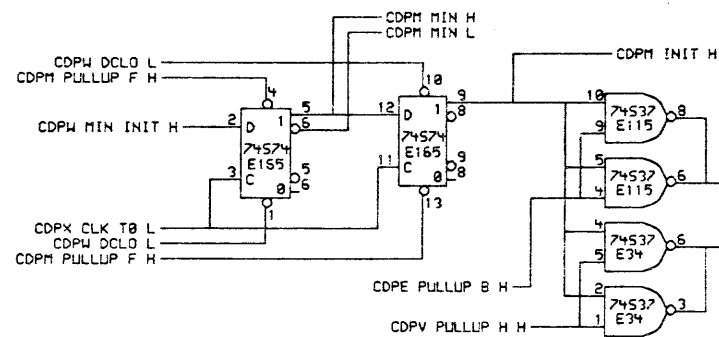
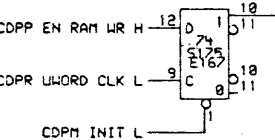
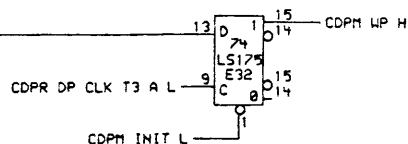
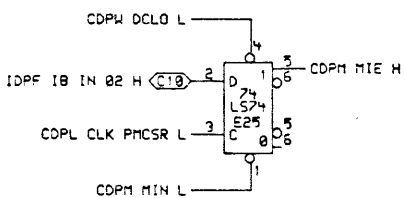
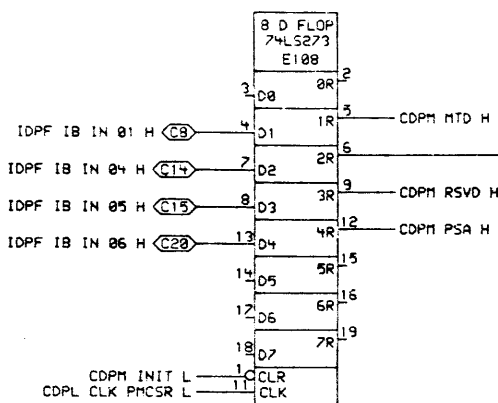
REVISIONS
1. ORIGINAL DESIGN
2. CHANGE NO. REV.
3. CHANGE NO. REV.
4. CHANGE NO. REV.
5. CHANGE NO. REV.
6. CHANGE NO. REV.
7. CHANGE NO. REV.
8. CHANGE NO. REV.

DRN.	DATE	ENG.	DATE	TITLE:
CHK'D.	17-FEB-84			C1750 DATA PATH
LSADIKP/CDP/CDPL RAW 106-FEB-84 15:28	DATE	BOARD LOCATION:	SHEET	NO. PER
FIRST USED ON OPTION/MODEL:	B-DD-L0400-2-2	C5	1	8

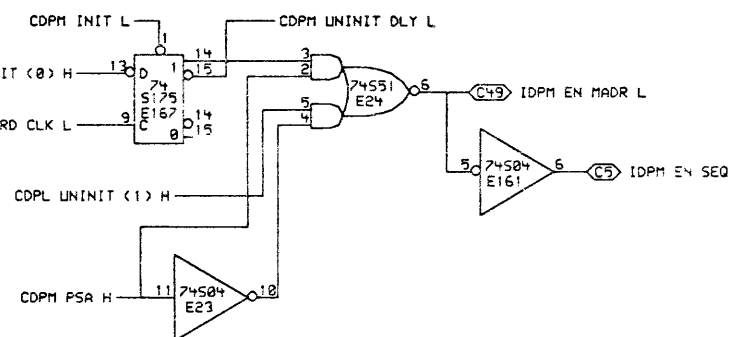
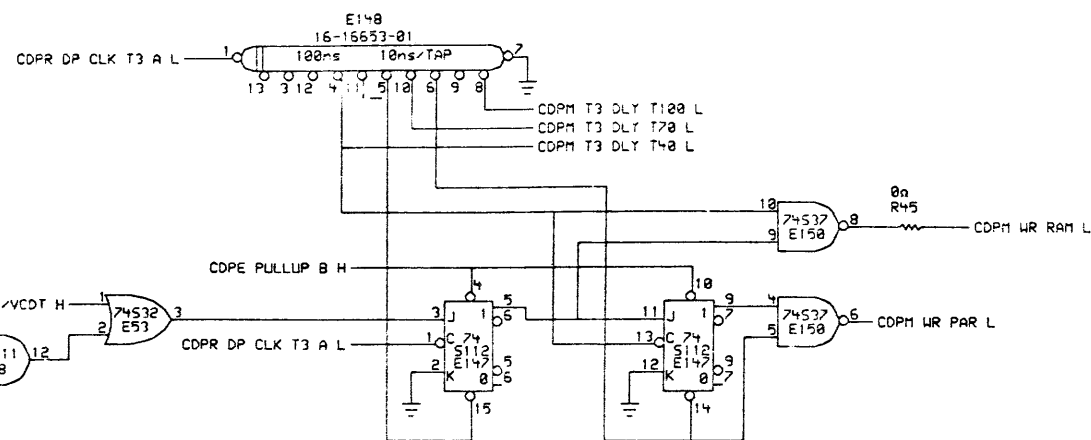
NOTE:

THE IDP SIGNAL PREFIXES ARE USED FOR COMPATIBILITY WITH THE CI750 MODULES

PMCSR (READ/WRITE BITS)



LS/VCDT WRITE TIMING



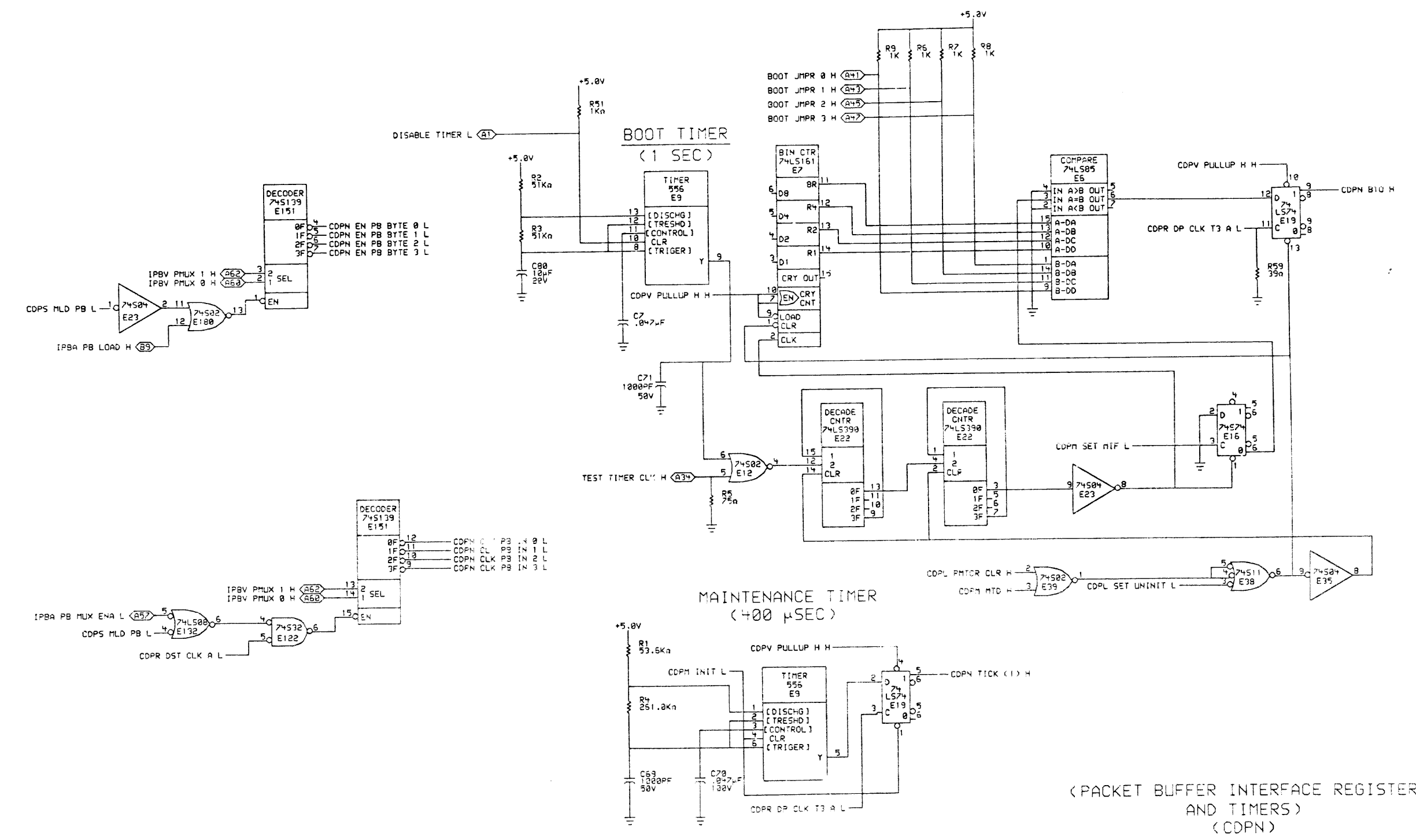
(PMCSR & LS/VCDT WRITE)
(CDPM)

REV.	DATE	ENG.	DATE	TITLE
1	17-FEB-84	CI750 DATA PATH (CDP)

REV.	DATE	ENG.	DATE	TITLE
1	17-FEB-84	CI750 DATA PATH (CDP)

REV.	DATE	ENG.	DATE	TITLE
1	17-FEB-84	CI750 DATA PATH (CDP)

REV. B
 NUMBER L0400-0-CDPM
 SIZE K CS
 L0400-0-CDPM

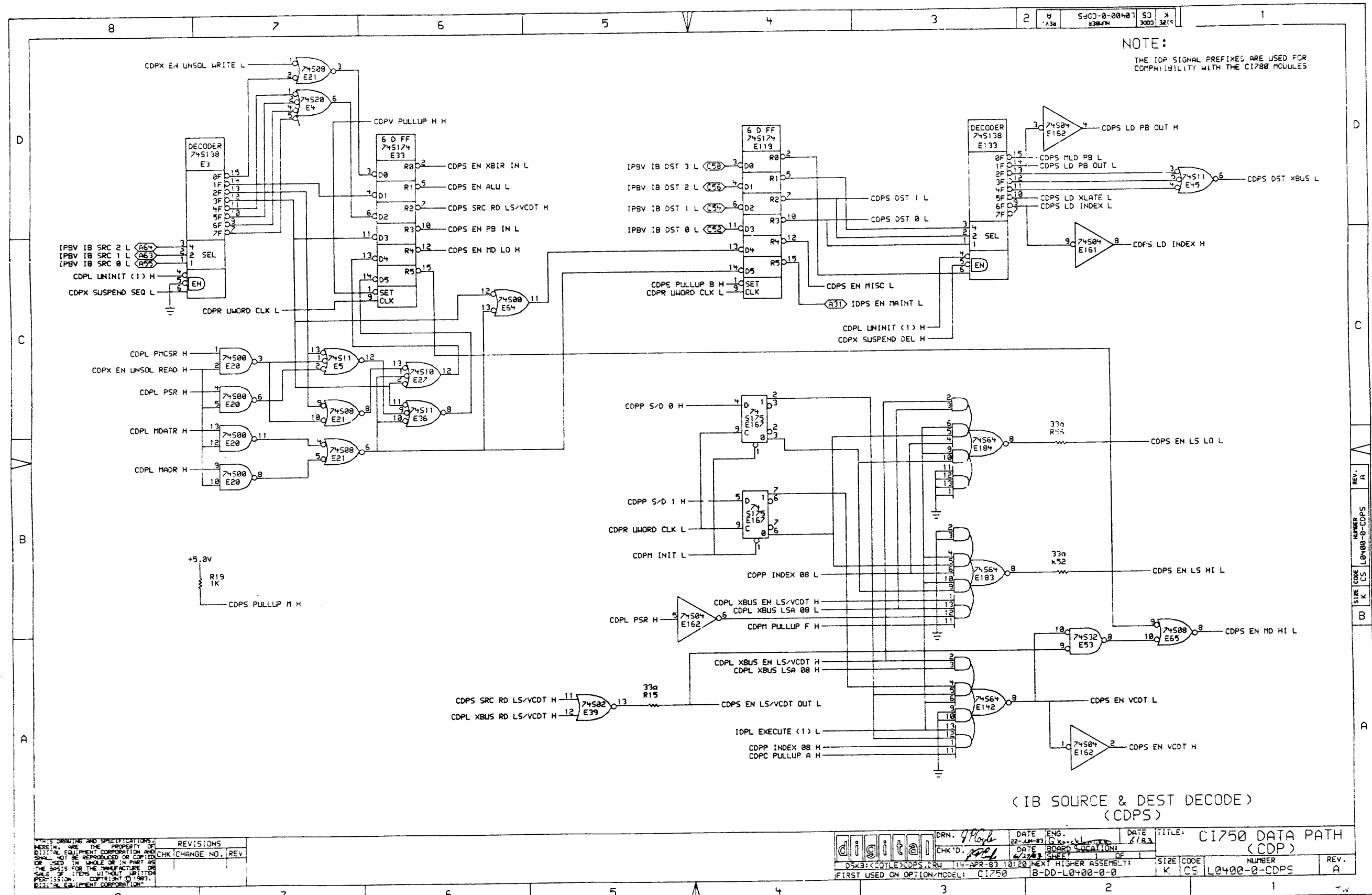


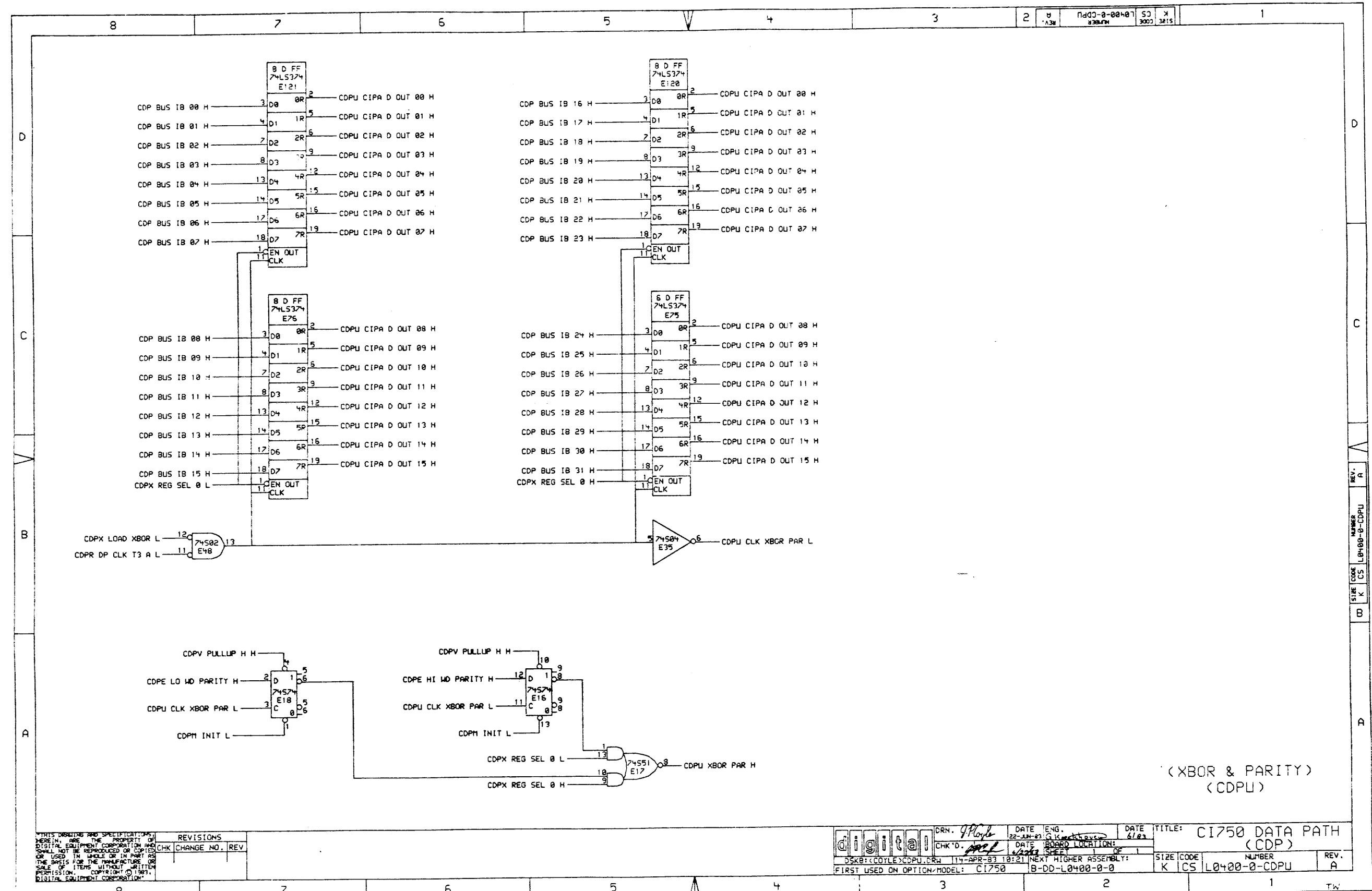
(PACKET BUFFER INTERFACE REGISTER AND TIMERS)
(CDPN)

REV. NO.	DESCRIPTION	DATE
1	INITIAL	17-FEB-74

REV. NO.	DESCRIPTION	DATE
1	INITIAL	17-FEB-74

DRN.	DATE	ENG.	DATE	TITLE:	CI750 DATA PATH (CDP)
17-FEB-74					
DATE	BOARD LOCATION:	SHEET	OF	SIZE	CODE
				K	CS
DSKD:PLCLDRCDPN,2RW 106-FEB-74 15:12	NEXT HIGHER ASSEMBLY:	B-DD-L0400-2-0		NUMBER	REV.
FIRST USED ON OPTION MODEL:	CI750			L0400-0-CDPN	3

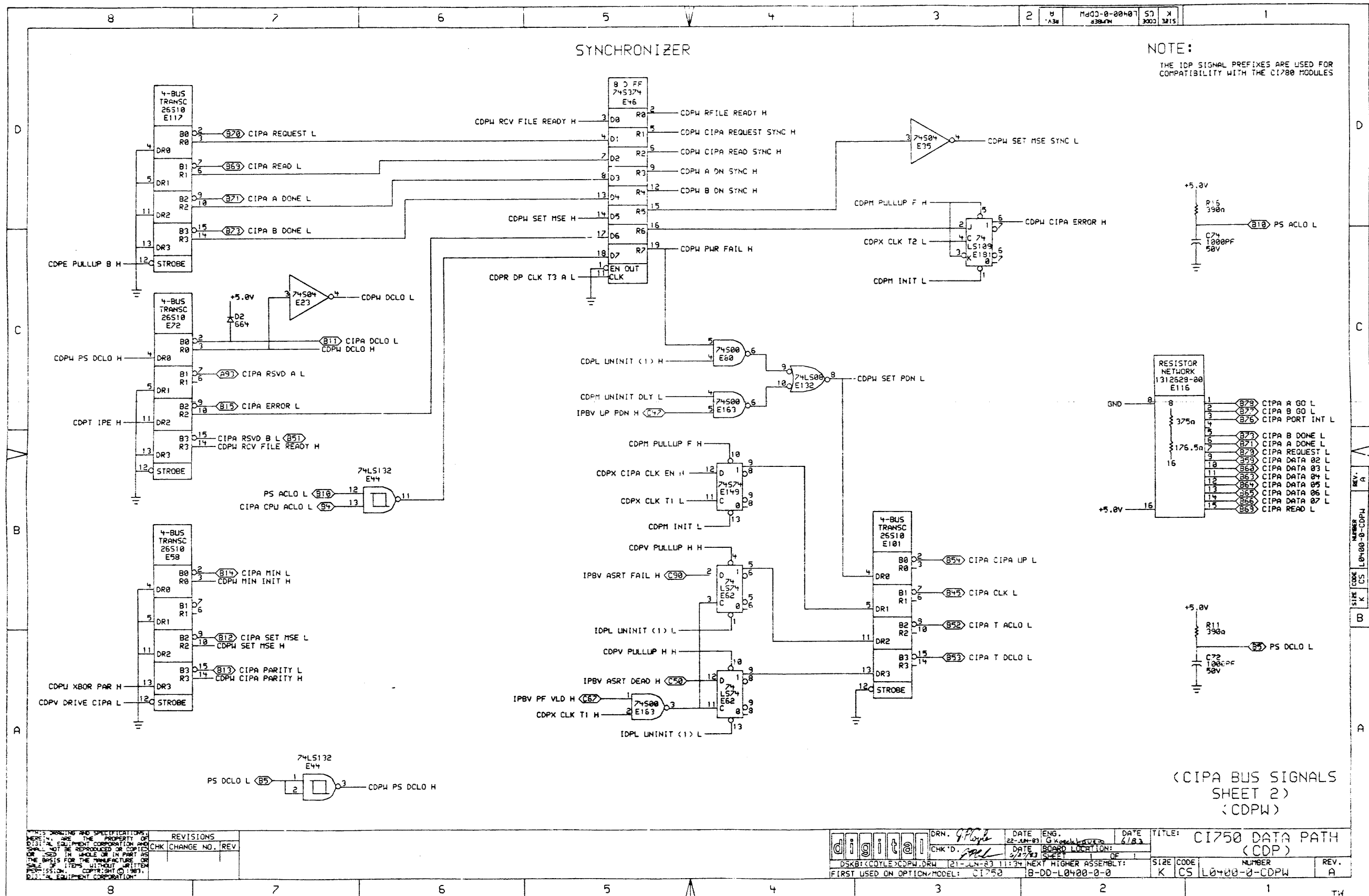




THIS DRAWING AND SPECIFICATIONS ARE THE PROPERTY OF DIGITAL EQUIPMENT CORPORATION AND SHALL NOT BE REPRODUCED OR COPIED OR USED IN WHOLE OR IN PART AS THE BASIS FOR THE MANUFACTURE OR SALE OF ITEMS WITHOUT WRITTEN PERMISSION. COPYRIGHT © 1983, DIGITAL EQUIPMENT CORPORATION.

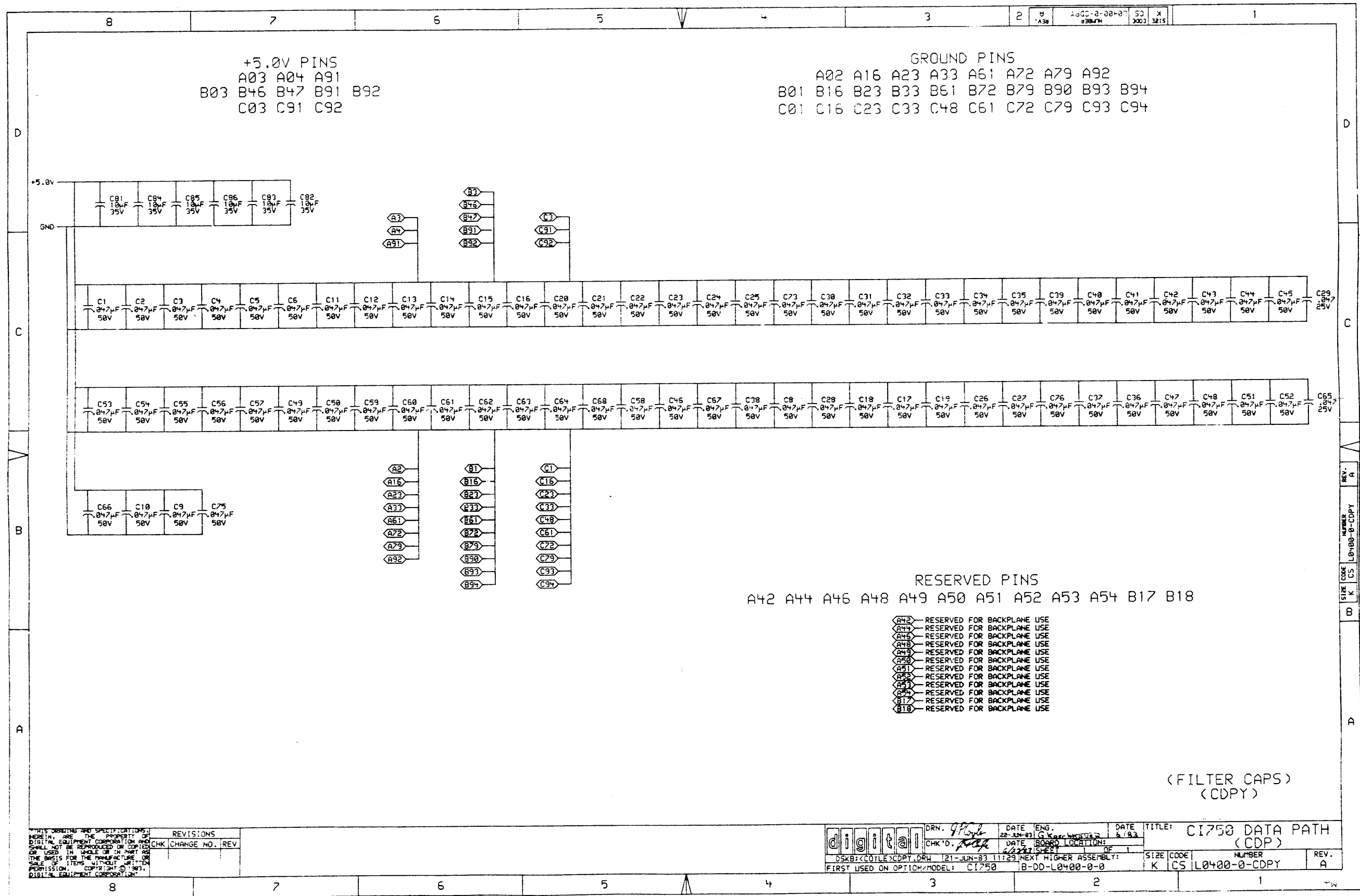
REVISIONS	
CHK	CHANGE NO. REV

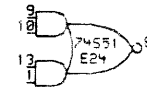
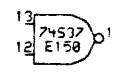
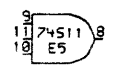
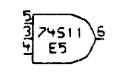
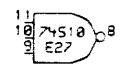
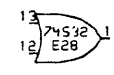
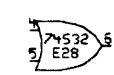
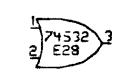
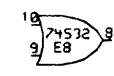
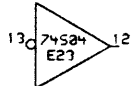
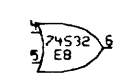
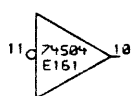
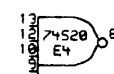
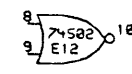
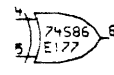
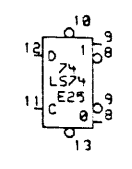
DRN. 47016	DATE 22-JUN-83	ENG. CLK	DATE 6/83	TITLE: C1750 DATA PATH (CDPU)
CHK'D. [Signature]	DATE 11-APR-83	BOARD LOCATION: 1	DE 1	
DSKB: <COYLE>CDPU.DPL.1	14-APR-83 10:21	NEXT HIGHER ASSEMBLY: B-DD-L0400-0-0	SIZE CODE K CS	NUMBER L0400-0-CDPU
FIRST USED ON OPTION/MODEL: C1750				REV. A



REV.	NO.	DATE	BY	CHK	CHANGE NO.	REV.

DRN. 4762	DATE ENG. 22-JUN-83	DATE 6/23	TITLE: C1750 DATA PATH (CDP)
CHK'D. JPL	DATE BOARD LOCATION: 6/27/83	SHEET 1 OF 1	SIZE CODE NUMBER REV. K CS L0400-0-CDPW A
OSK8: <<COYLE>>CDPW.DRW 21-JUN-83 11:34		NEXT HIGHER ASSEMBLY: B-DD-L0400-0-0	FIRST USED ON OPTION/MODEL: C1750





(SPARES)
(CDPZ)

THIS DRAWING AND SPECIFICATIONS
HEREIN ARE THE PROPERTY OF
DIGITAL EQUIPMENT CORPORATION AND
SHALL NOT BE REPRODUCED OR
COPIED IN WHOLE OR IN PART
WITHOUT THE WRITTEN PERMISSION
OF DIGITAL EQUIPMENT CORPORATION.

REV.	DESCRIPTION

DRN.	DATE	ENG.	DATE	TITLE:
CHK'D.	DATE	BOARD LOCATION:	SHEET	C1750 DATA PATH (CDP)
FIRST USED ON OPTION/MODEL:	07-FEB-84 09:25	NEXT HIGHER ASSEMBLY:	SIZE CODE	NUMBER
C1750	B-00-L0400-0-0	B	K CS	L0400-0-CDPZ
REV.	B			

SIGNAL NAME	PAGE NUMBER(S)
BOOT JMPR 0 H	CDPN
BOOT JMPR 1 H	CDPN
BOOT JMPR 2 H	CDPN
BOOT JMPR 3 H	CDPN
BUS MD 00 H	CDPK,H
BUS MD 01 H	CDPK,H
BUS MD 02 H	CDPK,H
BUS MD 03 H	CDPK,H
BUS MD 04 H	CDPK,H
BUS MD 05 H	CDPK,H
BUS MD 06 H	CDPK,H
BUS MD 07 H	CDPK,H
BUS MD 08 H	CDPK,H
BUS MD 09 H	CDPK,H
BUS MD 10 H	CDPK,H
BUS MD 11 H	CDPK,H
BUS MD 12 H	CDPK,H
BUS MD 13 H	CDPK,H
BUS MD 14 H	CDPK,H
BUS MD 15 H	CDPK,H
BUS MD 16 H	CDPK,H
BUS MD 17 H	CDPK,H
BUS MD 18 H	CDPK,H
BUS MD 19 H	CDPK,H
BUS MD 20 H	CDPK,H
BUS MD 21 H	CDPK,H
BUS MD 22 H	CDPK,H
BUS MD 23 H	CDPK,H
BUS MD 24 H	CDPK,H
BUS MD 25 H	CDPK,H
BUS MD 26 H	CDPK,H
BUS MD 27 H	CDPK,H
BUS MD 28 H	CDPK,H
BUS MD 29 H	CDPK,H
BUS MD 30 H	CDPK,H
BUS MD 31 H	CDPK,H
CDP BUS IB 00 H	CDPT,A,U,K,F,C
CDP BUS IB 01 H	CDPT,A,U,K,F,C
CDP BUS IB 02 H	CDPT,A,U,K,F,C
CDP BUS IB 03 H	CDPT,A,U,K,F,C
CDP BUS IB 04 H	CDPT,A,U,K,F,C
CDP BUS IB 05 H	CDPT,A,U,K,F,C
CDP BUS IB 06 H	CDPT,A,U,K,F,C
CDP BUS IB 07 H	CDPT,A,U,K,F,C
CDP BUS IB 08 H	CDPT,A,U,K,F,C
CDP BUS IB 09 H	CDPT,A,U,K,F,C
CDP BUS IB 10 H	CDPT,A,U,K,F,C
CDP BUS IB 11 H	CDPT,A,U,K,F,C
CDP BUS IB 12 H	CDPT,A,U,K,F,C
CDP BUS IB 13 H	CDPT,A,U,K,F,C

SIGNAL NAME	PAGE NUMBER(S)
CDP BUS IB 14 H	CDPU,T,A,K,F,C
CDP BUS IB 15 H	CDPU,T,A,K,F,C
CDP BUS IB 16 H	CDPB,T,U,K,F,D
CDP BUS IB 17 H	CDPB,T,U,K,F,D
CDP BUS IB 18 H	CDPB,T,U,K,F,D
CDP BUS IB 19 H	CDPB,T,U,K,F,D
CDP BUS IB 20 H	CDPB,T,U,K,F,D
CDP BUS IB 21 H	CDPB,T,U,K,F,D
CDP BUS IB 22 H	CDPB,T,U,K,F,D
CDP BUS IB 23 H	CDPB,T,U,K,F,D
CDP BUS IB 24 H	CDPB,U,K,F,T,D
CDP BUS IB 25 H	CDPB,U,K,F,T,D
CDP BUS IB 26 H	CDPB,U,K,F,T,D
CDP BUS IB 27 H	CDPB,U,K,F,T,D
CDP BUS IB 28 H	CDPB,U,F,T,K,D
CDP BUS IB 29 H	CDPB,U,F,T,K,D
CDP BUS IB 30 H	CDPB,U,F,T,K,D
CDP BUS IB 31 H	CDPB,U,F,T,K,D
CDPA ALU <15:00> G L	CDPB,A
CDPA ALU <15:00> P L	CDPB,A
CDPA ALU C0 H	CDPA,B
CDPA ALU C12 H	CDPA
CDPA ALU C4 H	CDPA
CDPA ALU C8 H	CDPA
CDPA ALU Z H	CDPB,J,A
CDPB ALU C H	CDPB,B
CDPB ALU C16 H	CDPB
CDPB ALU C20 H	CDPB
CDPB ALU C24 H	CDPB
CDPB ALU C28 H	CDPB
CDPB ALU N H	CDPB,J
CDPB ALU Q SHFT H	CDPB,A
CDPB ALU RAM SHFT H	CDPB,A
CDPB ALU V H	CDPB,J
CDPC PULLUP A H	CDPC,D,S,E
CDPE BYTE 0 PAR H	CDPR,E
CDPE BYTE 1 PAR H	CDPR,E
CDPE BYTE 2 PAR H	CDPR,E
CDPE BYTE 3 PAR H	CDPR,E
CDPE CLR REG WRT L	CDPL,E
CDPE EN LS/VCDT PAR H	CDPE
CDPE HI MD PARITY H	CDPU,T,E
CDPE LO MD PARITY H	CDPU,T,E
CDPE LS/VCDT HI PAR H	CDPE
CDPE LS/VCDT LO PAR H	CDPE
CDPE LSPE <0> H	CDPR,K,E
CDPE PULLUP B H	CDPM,W,S,R,X,E
CDPE LATCH IB <1> H	CDPF,H
CDPH CLK PB OUT L	CDPR,H
CDPH RB PAR H	CDPR,H

SIGNAL NAME	PAGE NUMBER(S)
CDPJ EN BR 0A/1 L	CDPJ
CDPJ EN BR 0B L	CDPJ
CDPJ EN BR 0C L	CDPJ
CDPJ EN BR 2/3 L	CDPJ
CDPJ SEL CC H	CDPJ
CDPL CLK PMSR L	CDPM,L
CDPL CLK UNSOL WRITE H	CDPL
CDPL LSA 0000000000 L	CDPL
CDPL LSA 1001000000 L	CDPL
CDPL MAOR H	CDPS,L
CDPL MDATR H	CDPS,L
CDPL PICR WRT H	CDPL
CDPL PMSR H	CDPS,L
CDPL PMCR CLR H	CDPM,L
CDPL PSR H	CDPS,K,L
CDPL PSRCR L	CDPL,M
CDPL REG WRT H	CDPL,J
CDPL SET UNINIT L	CDPM,L
CDPL UNINIT <1> H	CDPS,M L,K,W
CDPL UNINIT H	CDPL
CDPL XBUS EN LS/VCDT H	CDPL,S
CDPL XBUS LSA 01 H	CDPL,P
CDPL XBUS LSA 02 H	CDPL,P
CDPL XBUS LSA 03 H	CDPL,P
CDPL XBUS LSA 04 H	CDPL,P
CDPL XBUS LSA 05 H	CDPL,P
CDPL XBUS LSA 06 H	CDPL,P
CDPL XBUS LSA 07 H	CDPL,P
CDPL XBUS LSA 08 H	CDPL,S
CDPL XBUS LSA 08 L	CDPL,S
CDPL XBUS LSA 09 H	CDPL
CDPL XBUS RD LS/VCDT H	CDPS,L
CDPL XBUS WR LS/VCDT H	CDPM,L
CDPM INIT H	CDPM,L
CDPM INIT L	CDPV,N,R,U,T,M,L,X,W,S,E
CDPM INTR CPU H	CDPM,M
CDPM MIE H	CDPM,K
CDPM MIF H	CDPM,M
CDPM MIF L	CDPM
CDPM MIN H	CDPM
CDPM MIN L	CDPM
CDPM MTD H	CDPM,M,K,J
CDPM MTE H	CDPM,M,L
CDPM PSA H	CDPM,K
CDPM PULLUP F H	CDPM,W,M,E,T,S
CDPM RSVD H	CDPJ,K,M
CDPM SET MIF L	CDPM,M
CDPM SET MTE L	CDPM
CDPM SET PDN H	CDPM
CDPM T3 DLY T100 L	CDPM,F

NOTES:
 1. THIS PAGE LISTS THE SCHEMATIC PAGE NUMBER(S) WHERE A SIGNAL NAME IS REFERENCED.

THIS DRAWING AND SPECIFICATIONS
 HEREIN ARE THE PROPERTY OF
 DIGITAL EQUIPMENT CORPORATION AND
 SHALL NOT BE REPRODUCED OR COPIED
 OR USED IN WHOLE OR IN PART AS
 THE BASIS FOR THE MANUFACTURE OR
 SALE OF ITEMS WITHOUT WRITTEN
 PERMISSION. COPYRIGHT © 1983,
 DIGITAL EQUIPMENT CORPORATION

REVISIONS
CHK CHANGE NO. REV

DIGITAL	DRN. 974	DATE 10-JUL-83	ENG. 3 Kozlov	AM	DATE 7-A-23	TITLE: C1750 DATA PATH (CDP)
	CHK 0474	DATE 10-JUL-83	DRN. LOCATION: 1	SHEET 1	OF 1	
DSKB: <HOMMEL>CDPAR.DRW		18-JUL-83 11:38	NEXT HIGHER ASSEMBLY: 8-DD-L2-30-0-0	SIZE K	CODE CS	NUMBER L0400-0-CDAA
FIRST USED ON OPTION/MODEL: C1750						REV. A

SIGNAL NAME PAGE NUMBER(S)

CDPX UCODE STALL H CDPX
 CDPX UCODE STALL L CDPV,X,R
 CDPX UNSOL READ H CDPX,X,L
 CDPX UNSOL WRITE H CDPX,L
 CIPA A DONE L CDPH
 CIPA A GO L CDPH,V
 CIPA B DONE L CDPH
 CIPA B GO L CDPH,V
 CIPA CIPA UP L CDPH
 CIPA CLK L CDPV,H

 CIPA CPU ACLO L CDPH,V
 CIPA DATA 00 L CDPV
 CIPA DATA 01 L CDPV
 CIPA DATA 02 L CDPV,H
 CIPA DATA 03 L CDPV,H
 CIPA DATA 04 L CDPV,H
 CIPA DATA 05 L CDPV,H
 CIPA DATA 06 L CDPV,H
 CIPA DATA 07 L CDPV,H
 CIPA DATA 08 L CDPV

 CIPA DATA 09 L CDPV
 CIPA DATA 10 L CDPV
 CIPA DATA 11 L CDPV
 CIPA DATA 12 L CDPV
 CIPA DATA 13 L CDPV
 CIPA DATA 14 L CDPV
 CIPA DATA 15 L CDPV
 CIPA DCLO L CDPH,V
 CIPA ERROR L CDPH,V
 CIPA GRANT L CDPV

 CIPA MIN L CDPH,V
 CIPA PARITY L CDPH,V
 CIPA PORT INT L CDPH,V
 CIPA RCV FILE RDT L CDPH,V
 CIPA READ L CDPH
 CIPA REG SEL 0 L CDPV
 CIPA REG SEL 1 L CDPV
 CIPA REG SEL 2 L CDPV
 CIPA REG SEL 3 L CDPV
 CIPA REQUEST L CDPH

 CIPA RSVD A L CDPH,V
 CIPA SET MSE L CDPH,V
 CIPA T ACLO L CDPH
 CIPA T DCLO L CDPH
 DISABLE ARB L CDPJ
 DISABLE TIMER L CDPN
 EXT CLK H CDPX
 EXT CLK SEL L CDPX
 EXTERNAL STALL L CDPX
 IDPF IB IN 00 H CDPL,P,J,E,H,F,C

SIGNAL NAME PAGE NUMBER(S)

IDPF IB IN 01 H CDPJ,M,E,H,F,C
 IDPF IB IN 02 H CDPJ,P,E,H,F,C
 IDPF IB IN 03 H CDPJ,E,H,F,C
 IDPF IB IN 04 H CDPJ,E,P,H,F,C
 IDPF IB IN 05 H CDPJ,E,P,H,F,C
 IDPF IB IN 06 H CDPJ,E,P,H,F,C
 IDPF IB IN 07 H CDPJ,E,P,H,F,C
 IDPF IB IN 08 H CDPJ,F,P,E,H,C
 IDPF IB IN 09 H CDPJ,J,P,E,H,C
 IDPF IB IN 10 H CDPJ,F,P,E,H,C

 IDPF IB IN 11 H CDPJ,P,E,H,C
 IDPF IB IN 12 H CDPJ,F,P,C,E,H
 IDPF IB IN 13 H CDPJ,J,P,C,E,H
 IDPF IB IN 14 H CDPJ,F,C,E,H
 IDPF IB IN 15 H CDPJ,F,C,E,H
 IDPF IB IN 16 H CDPJ,E,F,D,H
 IDPF IB IN 17 H CDPJ,E,F,D,H
 IDPF IB IN 18 H CDPJ,E,F,D,H
 IDPF IB IN 19 H CDPJ,E,F,D,H
 IDPF IB IN 20 H CDPJ,E,F,D,H

 IDPF IB IN 21 H CDPJ,E,F,D,H
 IDPF IB IN 22 H CDPJ,E,F,D,H
 IDPF IB IN 23 H CDPJ,E,F,D,H
 IDPF IB IN 24 H CDPJ,J,D,E,H
 IDPF IB IN 25 H CDPJ,J,D,E,H
 IDPF IB IN 26 H CDPJ,F,D,E,H
 IDPF IB IN 27 H CDPJ,D,E,H
 IDPF IB IN 28 H CDPJ,E,H,D
 IDPF IB IN 29 H CDPJ,E,H,D
 IDPF IB IN 30 H CDPJ,E,H,D

 IDPF IB IN 31 H CDPJ,J,E,H,D
 IDPJ BR 0 H CDPJ
 IDPJ BR 1 H CDPJ
 IDPJ BR 2 H CDPJ
 IDPJ BR 3 H CDPJ
 IDPL CLK MADR L CDPL
 IDPL CS WE H CDPL
 IDPL EN CS DATA IN H CDPL
 IDPL EXECUTE <0>H CDPX,M,R,S
 IDPL UNINIT <0>H CDPL,X,M,J,H

 IDPL XBUS LSA 00 H CDPL,P
 IDPM EN MADR L CDPH
 IDPM EN SEQ L CDPH
 IDPM LOGIC CLR L CDPH
 IDPR PB PAR H CDPH
 IDPR PORT CLK T3 L CDPH
 IDPR SEQ CLK T3 L CDPH
 IDPS EN MAINT L CDPH
 ILIL XMIT ATTENTION <1>H CDPJ
 ILIL XMIT STATUS <1>H CDPH,K

SIGNAL NAME PAGE NUMBER(S)

IPBA PB LOAD H CDPN
 IPBA PB MUX ENA L CDPH,N
 IPSE RBUF PAR CDPH
 IPBH XBUF PE <1>H CDPH,K
 IPBS CSPE <1>H CDPH,K
 IPBV ALU A/B 0 H CDPH,A
 IPBV ALU A/B 1 H CDPH,A
 IPBV ALU A/B 2 H CDPH,A
 IPBV ALU A/B 3 H CDPH,A
 IPBV ALU DST 0 H CDPH,A

 IPBV ALU DST 1 H CDPH,A
 IPBV ALU DST 2 H CDPH,A
 IPBV ALU FCN 0 H CDPH,B
 IPBV ALU FCN 1 H CDPH,B
 IPBV ALU FCN 2 H CDPH,A
 IPBV ALU SRC 0 H CDPH,A
 IPBV ALU SRC 1 H CDPH,A
 IPBV ALU SRC 2 H CDPH,A
 IPBV ASRT DEAD H CDPH
 IPBV ASRT FAIL H CDPH

 IPBV CLR REG WRT L CDPE
 IPBV EN RBPE H CDPH
 IPBV IB DST 0 L CDPH,P
 IPBV IB DST 1 L CDPH,P
 IPBV IB DST 2 L CDPH,P
 IPBV IB DST 3 L CDPH,P
 IPBV IS SPC 0 L CDPH,P
 IPBV IB SRC 1 L CDPH,P
 IPBV IB SRC 2 L CDPH
 IPBV INTR H CDPH

 IPBV LITER L 00 H CDPH,K
 IPBV LITERAL 01 H CDPH,K
 IPBV LITERAL 02 H CDPH,K
 IPBV LITERAL 03 H CDPH,K
 IPBV LITERAL 04 H CDPH,K
 IPBV LITERAL 05 H CDPH,P
 IPBV LITERAL 06 H CDPH,P
 IPBV LITERAL 07 H CDPH,P
 IPBV PF VLD H CDPH
 IPBV PMUX 0 H CDPH,N

 IPBV PMUX 1 H CDPH,N
 IPBV SET A GO H CDPV
 IPBV SET B GO H CDPV
 IPBV UP PDN H CDPH
 IPBW SEQ CNTL 0 H CDPJ
 IPBW SEQ CNTL 1 H CDPJ
 IPBW SEQ CNTL 2 H CDPJ
 IPBW SEQ CNTL 3 H CDPJ
 IPBW SEQ CNTL 4 H CDPJ
 IPBW REC ATTN H CDPJ

NOTES:
 1. THIS PAGE LISTS THE SCHEMATIC PAGE NUMBER(S) WHERE A SIGNAL NAME IS REFERENCED.

REVISIONS	
CHK	CHANGE NO. REV

digital DRN: 9/10/83 DATE ENG: 10-11-83 DATE: 7-13-83 TITLE: CI750 DATA PATH (CDP)
 CHK: D.P. DATE BOARD LOCATION: 10-11-83 SHEET: 1 OF 1
 DSKB:(HOMMEL)CDPCC.DRW 18-JUL-83 11:38 NEXT HIGHER ASSEMBLY: B-DD-L0400-0-0 SIZE CODE NUMBER REV.
 FIRST USED ON OPTION/MODEL: CI750 B-DD-L0400-0-0 K CS L0400-0-CDCC A

D
C
B
A
REV. A
NUMBER L0400-0-CDCC
SIZE CODE CS K
CD

8	7	6	5	4	3	2	1																																								
<table border="1"> <thead> <tr> <th>SIGNAL NAME</th> <th>PAGE NUMBER(S)</th> </tr> </thead> <tbody> <tr><td>PORT CLK H</td><td>CDPR</td></tr> <tr><td>PORT DATA 0 H</td><td>CDPH</td></tr> <tr><td>PORT DATA 1 H</td><td>CDPH</td></tr> <tr><td>PORT DATA 2 H</td><td>CDPH</td></tr> <tr><td>PORT DATA 3 H</td><td>CDPH</td></tr> <tr><td>PORT DATA 4 H</td><td>CDPH</td></tr> <tr><td>PORT DATA 5 H</td><td>CDPH</td></tr> <tr><td>PORT DATA 6 H</td><td>CDPH</td></tr> <tr><td>PORT DATA 7 H</td><td>CDPH</td></tr> <tr><td>PS ACLO L</td><td>CDPW</td></tr> <tr><td>PS DCLO L</td><td>CDPW</td></tr> <tr><td>RSVD JMPR H</td><td>CDPJ</td></tr> <tr><td>TEST TIMER CLK H</td><td>CDPN</td></tr> </tbody> </table>		SIGNAL NAME	PAGE NUMBER(S)	PORT CLK H	CDPR	PORT DATA 0 H	CDPH	PORT DATA 1 H	CDPH	PORT DATA 2 H	CDPH	PORT DATA 3 H	CDPH	PORT DATA 4 H	CDPH	PORT DATA 5 H	CDPH	PORT DATA 6 H	CDPH	PORT DATA 7 H	CDPH	PS ACLO L	CDPW	PS DCLO L	CDPW	RSVD JMPR H	CDPJ	TEST TIMER CLK H	CDPN	<table border="1"> <thead> <tr> <th>SIGNAL NAME</th> <th>PAGE NUMBER(S)</th> </tr> </thead> <tbody> </tbody> </table>		SIGNAL NAME	PAGE NUMBER(S)	<table border="1"> <thead> <tr> <th>SIGNAL NAME</th> <th>PAGE NUMBER(S)</th> </tr> </thead> <tbody> </tbody> </table>		SIGNAL NAME	PAGE NUMBER(S)	<table border="1"> <thead> <tr> <th>SIZE</th> <th>CODE</th> <th>NUMBER</th> <th>REV.</th> </tr> </thead> <tbody> <tr> <td>K</td> <td>CS</td> <td>L0400-0-CDD0</td> <td>A</td> </tr> </tbody> </table>		SIZE	CODE	NUMBER	REV.	K	CS	L0400-0-CDD0	A
SIGNAL NAME	PAGE NUMBER(S)																																														
PORT CLK H	CDPR																																														
PORT DATA 0 H	CDPH																																														
PORT DATA 1 H	CDPH																																														
PORT DATA 2 H	CDPH																																														
PORT DATA 3 H	CDPH																																														
PORT DATA 4 H	CDPH																																														
PORT DATA 5 H	CDPH																																														
PORT DATA 6 H	CDPH																																														
PORT DATA 7 H	CDPH																																														
PS ACLO L	CDPW																																														
PS DCLO L	CDPW																																														
RSVD JMPR H	CDPJ																																														
TEST TIMER CLK H	CDPN																																														
SIGNAL NAME	PAGE NUMBER(S)																																														
SIGNAL NAME	PAGE NUMBER(S)																																														
SIZE	CODE	NUMBER	REV.																																												
K	CS	L0400-0-CDD0	A																																												
<p>NOTES:</p> <p>1. THIS PAGE LISTS THE SCHEMATIC PAGE NUMBER(S) WHERE A SIGNAL NAME IS REFERENCED.</p>																																															
<table border="1"> <thead> <tr> <th>REVISIONS</th> <th>CHK</th> <th>CHANGE NO.</th> <th>REV.</th> </tr> </thead> <tbody> </tbody> </table>		REVISIONS	CHK	CHANGE NO.	REV.	<table border="1"> <thead> <tr> <th>DATE</th> <th>ENG.</th> <th>DATE</th> <th>ENG.</th> </tr> </thead> <tbody> <tr> <td>10-11-81</td> <td>G. Koockhoven</td> <td>7-19-83</td> <td></td> </tr> </tbody> </table>		DATE	ENG.	DATE	ENG.	10-11-81	G. Koockhoven	7-19-83		<table border="1"> <thead> <tr> <th>DATE</th> <th>BOARD LOCATION</th> <th>SHEET</th> <th>OF</th> </tr> </thead> <tbody> <tr> <td>10-11-81</td> <td></td> <td>1</td> <td>1</td> </tr> </tbody> </table>		DATE	BOARD LOCATION	SHEET	OF	10-11-81		1	1	<table border="1"> <thead> <tr> <th>SIZE</th> <th>CODE</th> <th>NUMBER</th> <th>REV.</th> </tr> </thead> <tbody> <tr> <td>K</td> <td>CS</td> <td>L0400-0-CDD0</td> <td>A</td> </tr> </tbody> </table>		SIZE	CODE	NUMBER	REV.	K	CS	L0400-0-CDD0	A												
REVISIONS	CHK	CHANGE NO.	REV.																																												
DATE	ENG.	DATE	ENG.																																												
10-11-81	G. Koockhoven	7-19-83																																													
DATE	BOARD LOCATION	SHEET	OF																																												
10-11-81		1	1																																												
SIZE	CODE	NUMBER	REV.																																												
K	CS	L0400-0-CDD0	A																																												

DRAWING NO.	NO. OF SHTS.	PART NO.	DESCRIPTION	REVISIONS															
				A	B	C	D	E	F	G	H	I	J	K	L	M	N	O	P
		LO101-01	PART REVISION	-	-	-	-	E	F	H									
B-DD-LO101-0	3		CI780 PACKET BUFFER	A	B	C	D	E	F	H									
EUA-LO101-0-0	2		CI780 PACKET BUFFER	A	B	C	D	E	E										
EMD-5014971-0-0	5		DRILL & ETCH DRAWING	A	A	A	B	B	B	B									
EEC-5014971-0-0	3		ETCH CUT DRAWING	A	B	C	D	E	E										
K-CS-LO101-0-1	2		CI780 PACKET BUFFER	A	OBS														
		5014971	ETCHED BOARD	A	A	A	B	B	B	B									
K-PL-LO101-0-DBP	2		PL DATA BASE	A	B	C	C	D	D	E									
K-PC-LO101-0-DBI	-		PC DATA BASE	A	A	A	B	B	B	B									
K-CS-LO101-0-DBS	-		CS DATA BASE	A	B	C	D	E	E	F									
D-BS-LO101-0-2	1		CI780 PACKET BUFFER	A	A	A	A	A	A	A									
D-TD-LO101-0-3	1		CI780 PACKET BUFFER	A	A	A	A	A	A	A									
K-CS-LO101-0-PBA	1 *		CI780 PACKET BUFFER	-	B	B	B	B	B	B									
K-CS-LO101-0-PBB	1 *		CI780 PACKET BUFFER	-	B	B	B	B	B	B									
K-CS-LO101-0-PBC	1 *		CI780 PACKET BUFFER	-	B	B	B	B	B	B									
K-CS-LO101-0-PBD	1 *		CI780 PACKET BUFFER	-	B	B	B	B	B	B									
K-CS-LO101-0-PBE	1 *		CI780 PACKET BUFFER	-	B	B	B	B	B	B									
K-CS-LO101-0-PBF	1 *		CI780 PACKET BUFFER	-	B	B	B	B	B	B									
K-CS-LO101-0-PBH	1 *		CI780 PACKET BUFFER	-	B	C	C	C	C	B									
K-CS-LO101-0-PBJ	1 *		CI780 PACKET BUFFER	-	B	B	B	B	B	B									
K-CS-LO101-0-PBK	1 *		CI780 PACKET BUFFER	-	B	B	B	B	B	B									
K-CS-LO101-0-PBL	1 *		CI780 PACKET BUFFER	-	B	B	B	B	B	B									
K-CS-LO101-0-PBM	1 *		CI780 PACKET BUFFER	-	B	C	C	D	D	E									
K-CS-LO101-0-PBN	1 *		CI780 PACKET BUFFER	-	B	C	C	D	D	E									
K-CS-LO101-0-PBP	1 *		CI780 PACKET BUFFER	-	B	B	B	B	B	B									
K-CS-LO101-0-PBR	1 *		CI780 PACKET BUFFER	-	B	B	B	B	B	B									

NOTES: * CONTROL SOURCE IS DATA BASE
NO CONTROLLED PAPER ORIGINALS EXIST

DATE	CHG NO.	REV.	REVISIONS													
			B	C	D	E	F	H								
7-82	TW001															
9-82	TW002															
11-83	TW003															
4-84	TW004															
8-84	TW005															
10-84	TW006															

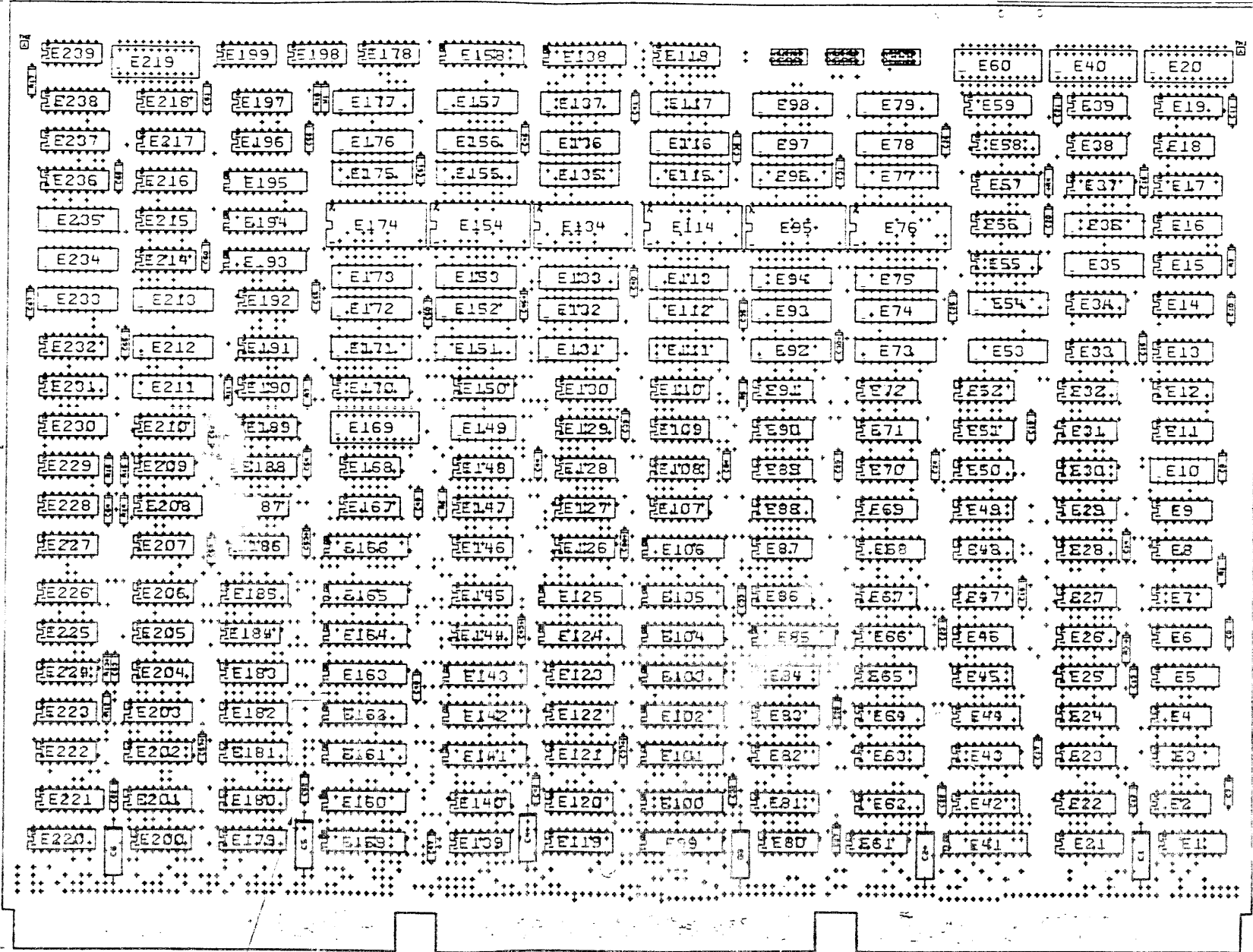
"THIS DRAWING AND SPECIFICATIONS, HEREIN, ARE THE PROPERTY OF DIGITAL EQUIPMENT CORPORATION AND SHALL NOT BE REPRODUCED OR COPIED OR USED IN WHOLE OR IN PART AS THE BASIS FOR THE MANUFACTURE OR SALE OF ITEMS WITHOUT WRITTEN PERMISSION.
COPYRIGHT © 1981 DIGITAL EQUIPMENT CORPORATION



USED ON OPTION/MODEL	DRN.	TITLE	SIZE	CODE	NUMBER	REV
CI780	J. Coody 7-8-81	CI780 PACKET BUFFER	B	DD	LO101-0	H
	CHKD J. Coody 7-8-81					
	ENG. m. Carrasquillo 9/1/81					
	PROD. K. Meier 9/2/81					
		SHEET 1 OF 3				

COMPONENT SIDE VIEW

1669 P B 5
39253



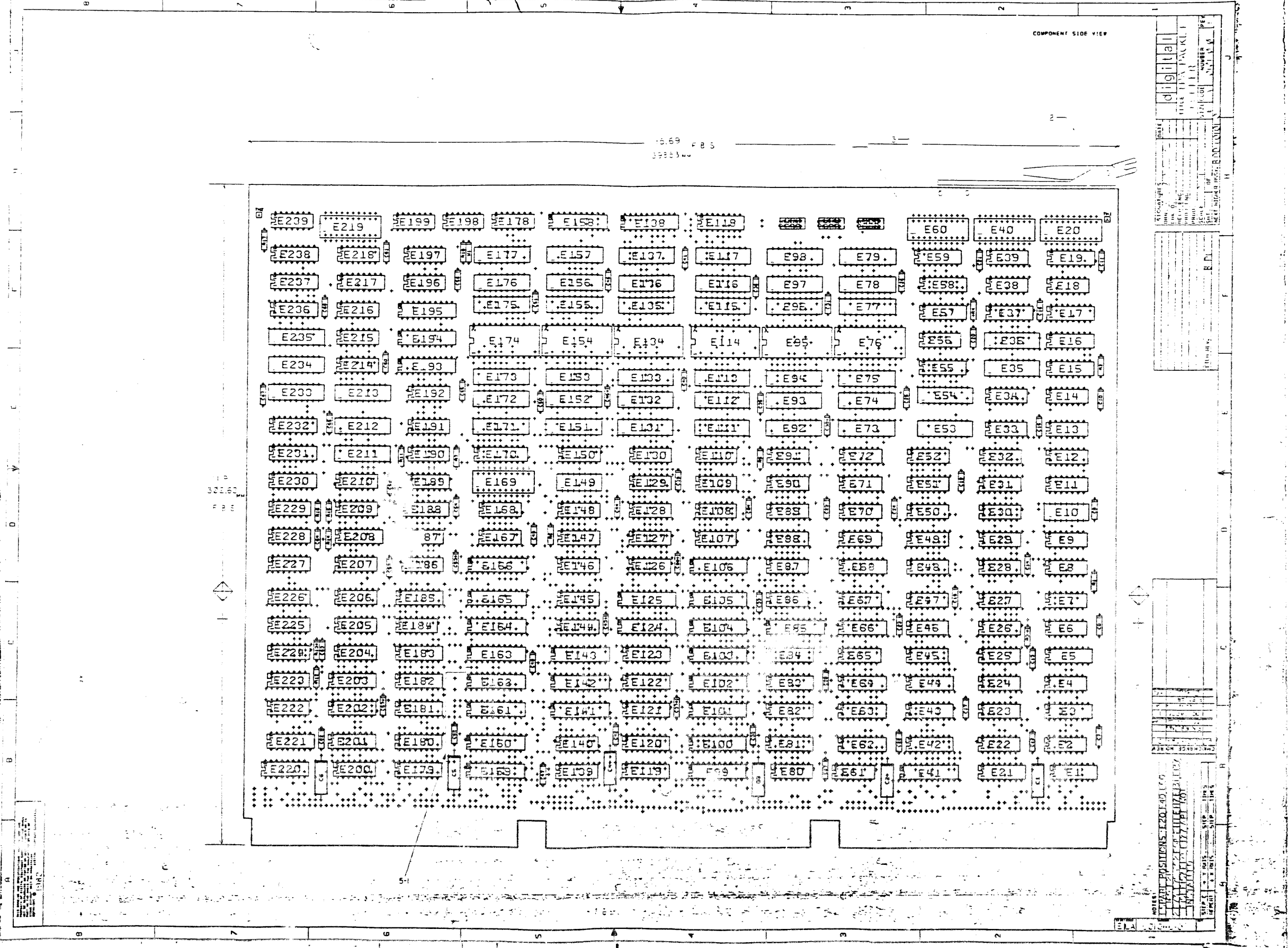
Part No.	1669
Rev.	P B 5
Quantity	
Material	
Notes	
Drawn by	
Checked by	
Approved by	
Date	

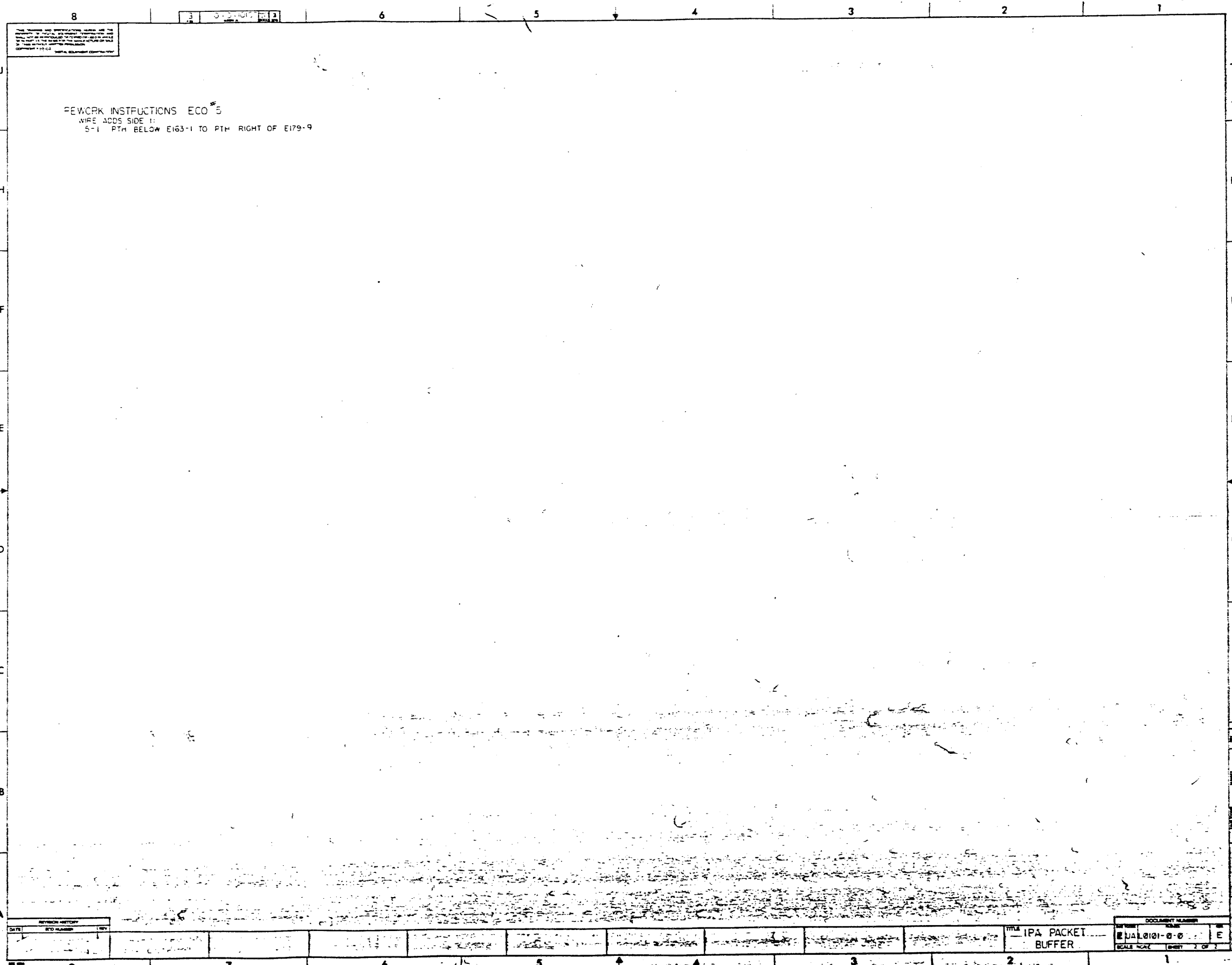
Part No.	1669
Rev.	P B 5
Quantity	
Material	
Notes	
Drawn by	
Checked by	
Approved by	
Date	

Part No.	1669
Rev.	P B 5
Quantity	
Material	
Notes	
Drawn by	
Checked by	
Approved by	
Date	

Part No.	1669
Rev.	P B 5
Quantity	
Material	
Notes	
Drawn by	
Checked by	
Approved by	
Date	

Part No.	1669
Rev.	P B 5
Quantity	
Material	
Notes	
Drawn by	
Checked by	
Approved by	
Date	





This drawing was prepared using the
 standard of accuracy shown on the
 drawing. It is not to be used for
 any other purpose without the
 approval of the Engineer.
 Date: 1/2/64

REWORK INSTRUCTIONS ECO #5
 WIRE ADDS SIDE 1
 S-1 PTH BELOW E163-1 TO PTH RIGHT OF E179-9

REVISION HISTORY		DATE		BY		DESCRIPTION		SCALE		SHEET	

TITLE: IPA PACKET BUFFER
 DOCUMENT NUMBER: EJA 101-0-0
 SCALE: N/A
 SHEET: 2 OF 2

LINE ITEM	TOP DOCUMENT	PART NUMBER	MIN REV	DESCRIPTION	VARIATION REVISION LEVEL:	QTY	PER VARIATION	REFERENCE DESIGNATOR
						00		
						E1		
1	1	5014971-00		MULTI LAYER BOARD		1		
2	4	1012784-00		.047 MFD 50V +30-20% CER		61		C7-C67
3	7	1017472-00		10 MFD 35V +75-10% AL EL		6		C1-C6
4	6	1114136-00		LED 16MA 5V		12		D1-D12
5	60	1215006-02		SKT,IC 16PIN DIP TIN SOLD		2		XE59, XE118
6	61	1215006-06		SKT,IC 24PIN DIP TIN SOLD		6		XE76, XE95, XE114, XE134, XE154, XE174
							CONT	
7	2	1216988-02		HANDLE,MODULE,HEX TWO EJECTORS		1		
8	5	1300365-00		1.0 K .25 W 5.0 % CF		17		R1,R2,R4-R18
9	33	1616653-01		DELAY= 100NS,10TAPS WITH TTLBU		2		E10,E149
10	42	1910532-00		74S00 NAND GATE-QUAD 2IN		7		E86,E89,E46,E12,E107,E108,E168
11	39	1910534-00		74S04 INVERTER GATE-HEX 1I		8		E22,E47,E87,E200,E148,E167,E223,E218
							CONT	
12	59	1910536-00		74S10 NAND GATE-TRIPLE 3IN		3		E61,E80,E192
13	16	1910537-00		74S11 AND GATE-TRIPLE 3INP		1		E226
14	38	1910539-00		74S20 NAND GATE-DUAL 4INPU		1		E69
15	46	1910542-00		74S64 A-O-I GATE 4-2-3-2		7		E25,E26,E88,E147,E128,E30,E50
16	47	1910544-00		74S74 FF-D DUAL,EDGE TRIGG		19		E18,E129,E126,E7,E8,E11,E189,E31,E71,E72,E29,E90,E91,E190,E191,E224,E6,E239,E209
							CONT	
							CONT	
17	35	1910545-00		74S112 FF-JK DUAL,EDGE TRIG		2		E208,E217
18	49	1910548-00		74S157 MUX 1 OF 2 (QUAD)		2		E119,E120
19	43	1910550-00		74S174 FF-D HEX		7		E43,E64,E1,E63,E179,E185,E44
20	20	1911573-00		74S280 PARITY GEN/CHKR,9BIT		8		E56,E65,E110,E139,E150,E178,E196,E197
							CONT	
21	50	1911675-00		74S138 DECODER/DEMUX 3-8 LI		2		E66,E68
22	44	1911712-00		74S51 AND-OR GATE-INVERT D		8		E186,E210,E214,E14,E34,E13,E4
							CONT	
23	15	1912096-00		DEC 74S86 XOR GATE,QUAD 2IN		1		E228
24	40	1912388-00		74S02 NOR GATE-QUAD 2IN,PO		5		E207,E24,E48,E140,E144

REVISION HISTORY			BASIC PART NO: L0101		DRN: J.CASEY		DATE: 25-SEP-81		D I G I T A L		
ENG	ECO NUMBER	REV	SECTION A OF A	CHK'D:	F.GAROFALO	DATE:	25-SEP-81	TITLE PARTS LIST			
---	INITIAL	A	SECTION VARIATION INDEX	DES.ENG:	M.CARRAFIELLO	DATE:	25-SEP-81	DOCUMENT NUMBER			
S.B	L0101-TW001	B	(A) 00	RESP.ENG.:	M.CARRAFIELLO	DATE:	25-SEP-81	SIZE	CODE	NUMBER	REV
SE	L0101-TW002	C	(B)	MFG.ENG.:	K.MEISSNER	DATE:	25-SEP-81	K	PL	L0101-0-DBP	E
FD	L0101-TW004	D	(C)	ASSEMBLY NUMBER:		TOP DOCUMENT NUMBER:		FILE NAME:		EDIT #	
RE	L0101-TW006	E	(D)	E-UA-L0101-0-0				Z1283E.PLS		23	
			(E)					RELEASE DATE: 15-NOV-84			
			(F)								
			(H)								
			(J)								
			(K)								
			(L)								
			(M)								
			(N)								

"THIS DRAWING AND THE SPECIFICATIONS CONTAINED HEREIN ARE CONFIDENTIAL AND PROPRIETARY. THEY ARE THE PROPERTY OF DIGITAL EQUIPMENT CORPORATION AND SHALL NOT BE REPRODUCED OR COPIED OR USED IN WHOLE OR IN PART AS THE BASIS FOR THE MANUFACTURE OR SALE OF ITEMS WITHOUT WRITTEN PERMISSION. THIS IS AN UNPUBLISHED WORK PROTECTED UNDER THE FEDERAL COPYRIGHT LAWS."

AUTOMATED BY PRTLST.3P(44)

P A R T S L I S T

SHEET A2 OF A3

LINE	ITEM	TOP DOCUMENT	PART NUMBER	MIN REV	DESCRIPTION	QTY	PER VARIATION	REFERENCE DESIGNATOR
					VARIATION REVISION LEVEL:	00		
						E1		
25	41		1912389-00		74S08 AND GATE-QUAD 2IN,PO	5		E206,E216,E187,E109,E222
26	52		1912646-00		LS253 MUX 1 OF 4 (DUAL)	8		E221,E201-E203,E180-E183
27	58		1912647-00		LS257 MUX 1 OF 2 (QUAD)	4		E42,E21,E62,E220
28	53		1912660-00		74S253 MUX 1 OF 4 (DUAL)	4		E81-E84
29	56		1912746-00	DEC	74S37 NAND GATE-QUAD 2IN	1		E2
30	24		1912799-00		LS00 NAND-GATE-QUAD 2IN,P	3		E51,E130,E205
31	30		1912801-00		LS02 NOR-GATE-QUAD 2IN	3		E9,E28,E127
32	29		1912805-00		LS08 AND GATE-QUAD 2IN,PO	5		E4,E145,E146,E184,E229
33	25		1912808-00		LS11 AND GATE-TRIPLE 3IN	3		E23,E39,E52
34	43		1912811-00		LS21 AND GATE-DUAL 4IN,PO	2		E38,E215
35	37		1912816-00		LS32 OR GATE-QUAD 2IN,POS	1		E204
36	26		1912820-00		LS51 A-O-I GATE 2-WIDE 2I	1		E27
37	27		1912822-00		LS55 A-O-I GATE,DUAL 4IN	3		E32,E33,E70
38	22		1912824-00		LS74 FF-D DUAL,EDGE TRIGG	1		E225
39	28		1912833-00		LS109 FF-JK DUAL,POS EDGE	3		E3,E5,E188
40	19		1912851-00		LS169 COUNTER,SYNCH, UP/D0	3		E121-E123
41	23		1913340-00		74S32 OR GATE-QUAD 2IN	1		E199
42	45		1913462-00		74S240 OCTAL BUFFER,INVERTI	3		E166,E193,E194
43	34		1913662-01		RAM 1KX1 16 PIN TT	2		E37,E55
44	54		1913671-00		74S374 FF-D,OCTAL,TR1 STATE	11		E99-E106,E124,E125,E195
45	51		1914082-00		74S163 COUNTER,SYNCH UP/DOW	12	CONT	E19,E57,E58,E15-E17,E236-E238, E230-E232
46	21		1914085-00		74S260 NOR GATE-DUAL,POS	1		E45
47	36		1914086-00		74S30 NAND GATE-POS 8IN	2		E67,E198
48	17		1914214-00		LS374 FF-D OCTAL EDGE TRIG	2		E160,E162
49	57		1915193-00		LS244 DRIVER,LINE,OCTAL,T	8	CONT	E41,E141-E143,E158,E159,E161, E138
50	18		1916680-01		2911A MICROPROGRAM SEQUENC	3		E163-E165
51	8		2114523-01		4K MOS RAM 70NS 18PIN	1		E170
52	31	SEE NOTE	2116957-02		1K MOS RAM 70NS 1	30	CONT	E74,E75,E77,E78,E93,E94,E96,E97, E112,E113,E115,E116,E132,E133, E135,E136,E152,E153,E155,E156, E172,E173,E175,E176,E211-E213, E233-E235
53	32		2116957-03		1K MOS RAM 55NS 1	4	CONT	E35,E36,E53,E54
54	55		23008K5-00	K5-01		1		E85
55	9		23269F3-00	F3-03		1		E114
56	10		23270F3-00	F3-03		1		E95
57	11		23271F3-00	F3-03		1		E76
58	12		23272F3-00	F3-03		1		E174
59	13		23273F3-00	F3-03		1		E154
60	14		23274F3-00	F3-03		1		E134
61	3		9000024-01		EYELET,ROLLED 0.1210DX0.192	12		
62	62		9009135-00		JUMPER, WIRE, INSULATED, BLACK B	1		W1
63	63		9105740-55		WIRE(WRAP) 30AWG KYNAR UL14 A/R	A/R		

D	I	G	I	T	A	L	TITLE	SECTION A OF A	SIZE	CODE	DOCUMENT NUMBER	REV
							CI780 PACKET BUFFER (IPB)		K	PL	L0101-0-DBP	E

AUTOMATED BY PRTLST.3P(44)

P A R T S L I S T

SHEET A3 OF A3

LINE ITEM TOP DOCUMENT

PART NUMBER REV DESCRIPTION

VARIATION REVISION LEVEL:

QTY PER VARIATION

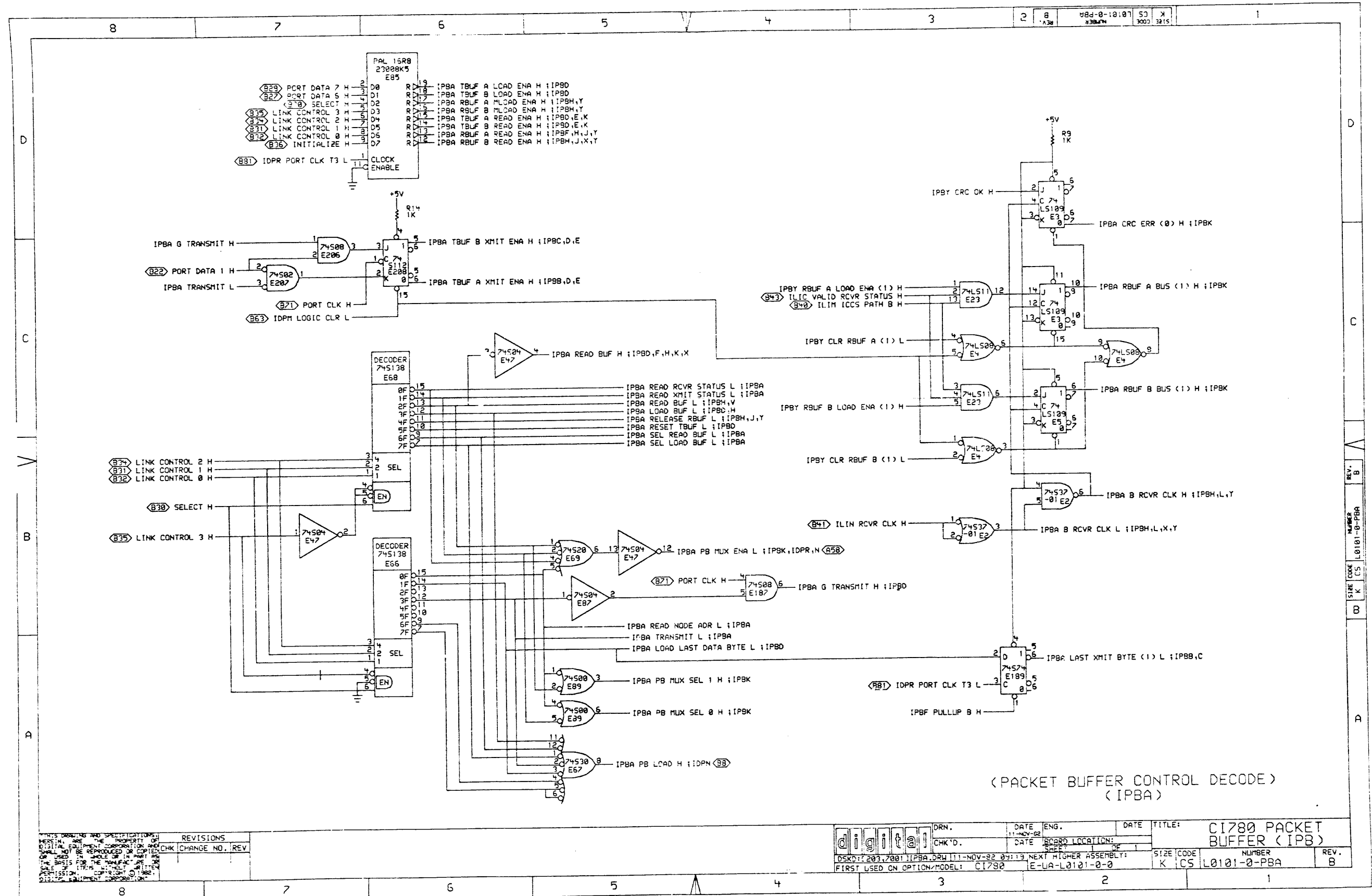
00

REFERENCE DESIGNATOR

E1

64 NOTE: 21-16957-03 CAN BE USED IN PLACE OF 21-16957-02

D I G I T A L	TITLE	SECTION A OF A	SIZE	CODE	DOCUMENT NUMBER	REV
	CI780 PACKET BUFFER (IPB)		K	PL	L0101-0-DBP	E

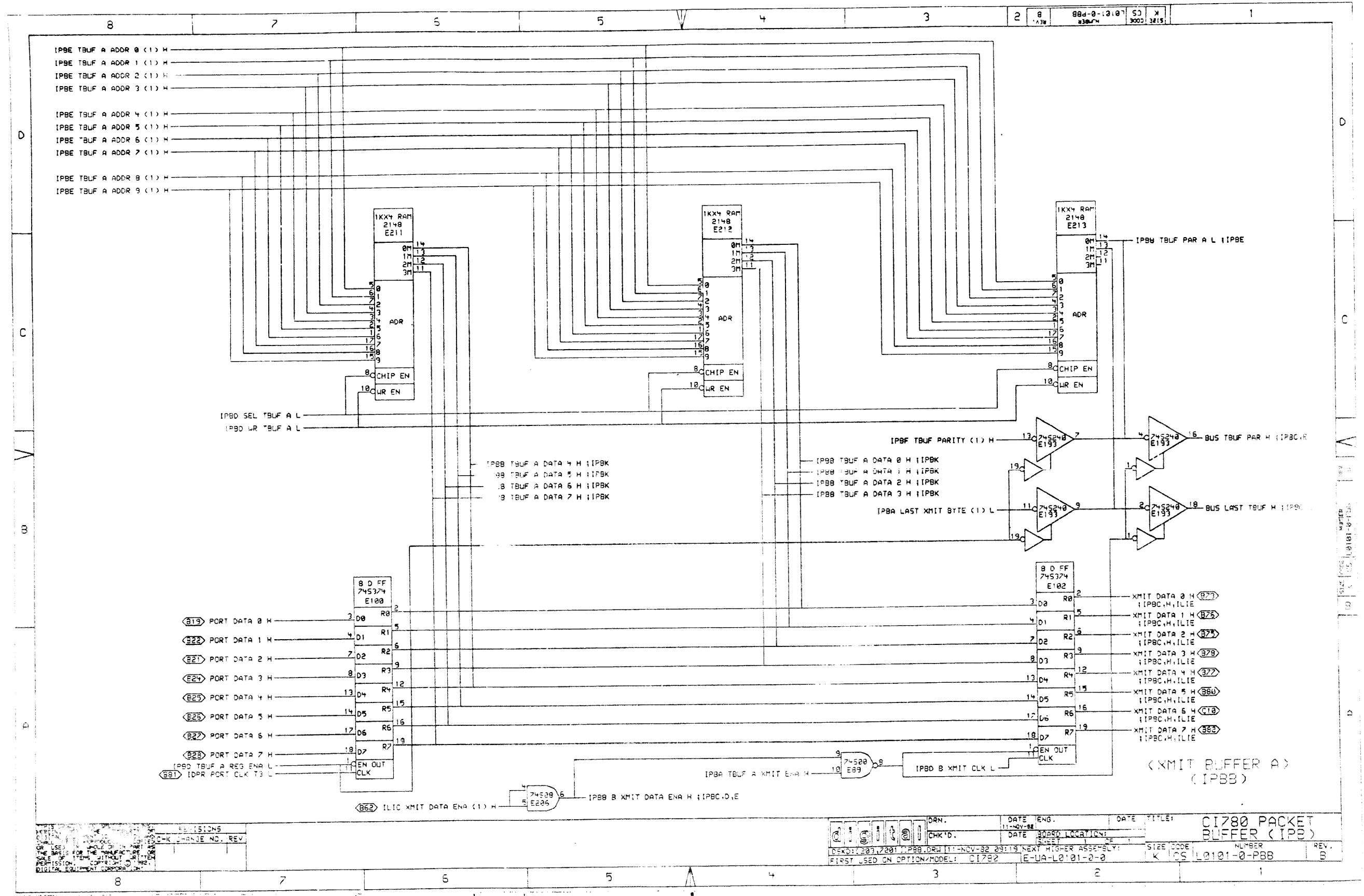


(PACKET BUFFER CONTROL DECODE)
(IPBA)

THIS DRAWING AND SPECIFICATIONS ARE THE PROPERTY OF DIGITAL EQUIPMENT CORPORATION AND SHALL NOT BE REPRODUCED OR COPIED OR USED IN WHOLE OR IN PART AS THE BASIS FOR THE MANUFACTURE OR SALE OF ITEMS UNLESS WRITTEN PERMISSION IS OBTAINED FROM DIGITAL EQUIPMENT CORPORATION.

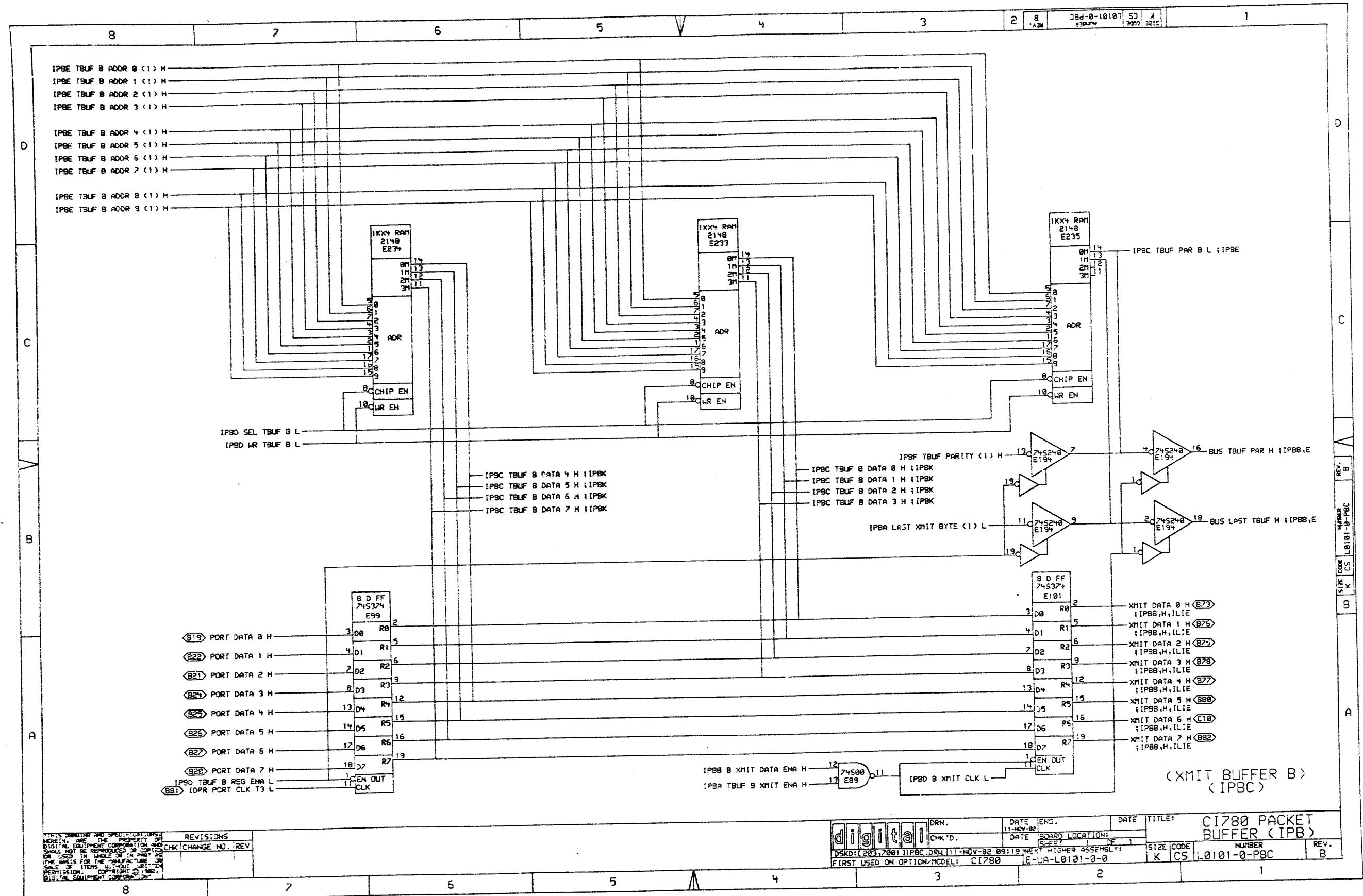
REVISIONS	
CHK	CHANGE NO. REV.

digital	DRN.	DATE	ENG.	DATE	TITLE:
	CHK'D.	DATE	BOARD LOCATION:	SHEET	C1780 PACKET BUFFER (IPB)
DSKD: 203,7001 IPBA.DRW 11-NOV-82 8:19		NEXT HIGHER ASSEMBLY:		SIZE CODE	NUMBER
FIRST USED ON OPTION/MODEL: C1780		E-UA-L0101-0-0		K CS	L0101-0-PBA
8	7	6	5	4	3
2	1	REV. B			



PERMISSIONS
 CHECK CHANGE NO. REV.

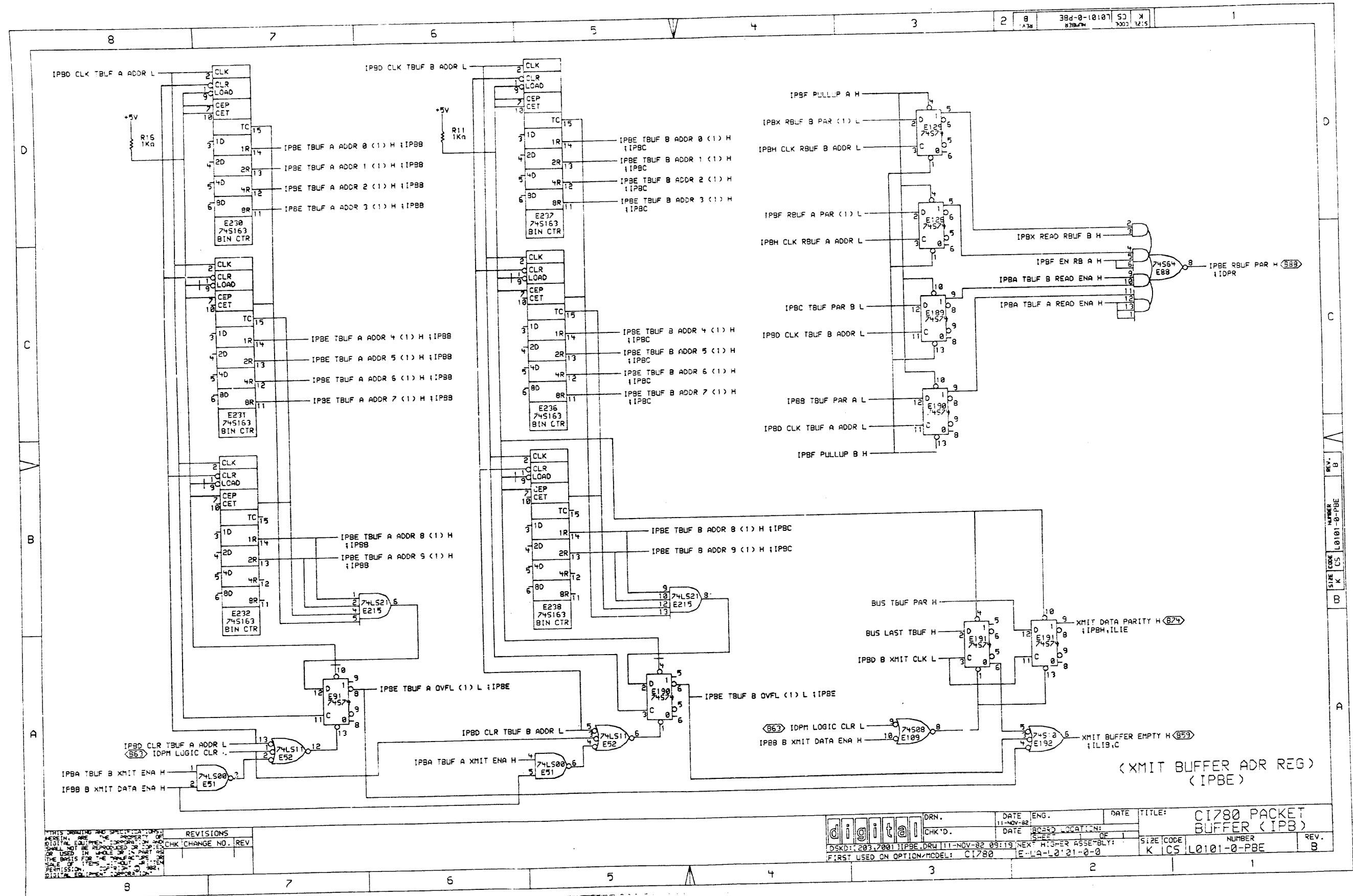
ORIG.	DATE	ENG.	DATE	TITLE
CHK'D.	11-NOV-82			CI780 PACKET BUFFER (IPB)
DATE	3080	LOCATION		
SHEET				
DESIGN: 201,7001-IPBB.DRW	11-NOV-82 09:19	NEXT HIGHER ASSEMBLY:	SIZE CODE	NUMBER
FIRST USED ON OPTION/MODEL:	CI782	E-UA-L0101-0-0	K CS	L0101-0-PBB
				REV. B



ALL DIMENSIONS AND SPECIFICATIONS HEREIN ARE THE PROPERTY OF DIGITAL EQUIPMENT CORPORATION AND SHALL NOT BE REPRODUCED OR COPIED OR USED IN WHOLE OR IN PART AS THE BASIS FOR THE MANUFACTURE OR SALE OF ITEMS WITHOUT WRITTEN PERMISSION. COPYRIGHT © 1982, DIGITAL EQUIPMENT CORPORATION.

REV.	CHG.	CHANGE NO.	REV.

DIGITAL	DRN.	DATE	ENG.	DATE	TITLE:
	CHK'D.	11-NOV-82			CI780 PACKET BUFFER (IPB)
DSKD: (203,700) IPBC.DRW		111-NOV-82 09:19		NEW YORK	ASSEMBLY:
FIRST USED ON OPTION/MODEL: CI780		E-LA-L0101-0-0		SIZE CODE	NUMBER
				K CS	L0101-0-PBC
					REV. B

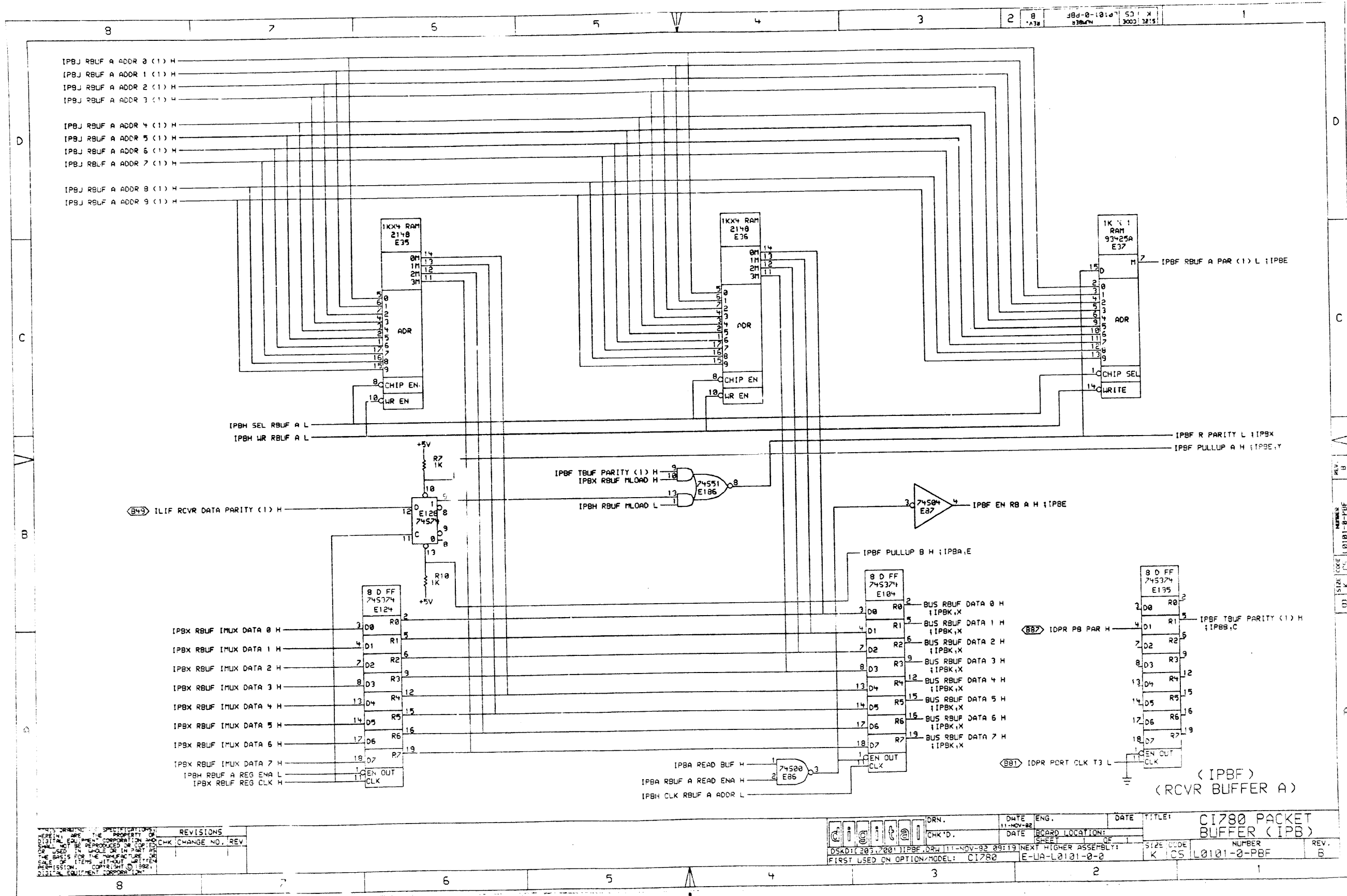


THIS DRAWING AND SPECIFICATIONS HEREIN ARE THE PROPERTY OF DIGITAL EQUIPMENT CORPORATION AND SHALL NOT BE REPRODUCED OR TRANSMITTED IN ANY FORM OR BY ANY MEANS, ELECTRONIC OR MECHANICAL, INCLUDING PHOTOCOPYING, RECORDING, OR BY ANY INFORMATION STORAGE AND RETRIEVAL SYSTEM, WITHOUT THE WRITTEN PERMISSION OF DIGITAL EQUIPMENT CORPORATION.

REV.	DESCRIPTION	DATE
1	INITIAL DESIGN	11-NOV-82

REV.	DESCRIPTION	DATE
1	INITIAL DESIGN	11-NOV-82

DRN.	DATE	ENG.	DATE	TITLE:
CHK'D.	11-NOV-82	11-NOV-82	11-NOV-82	CI780 PACKET BUFFER (IPB)
DSKD: 203,7001 IPBE.DRW	11-NOV-82 09:19	NEXT: MOTHER ASSEMBLY:	SIZE CODE	NUMBER
FIRST USED ON OPTION/MODEL:	CI780	E-LA-L021-0-0	K ICS L0101-0-PBE	REV. B

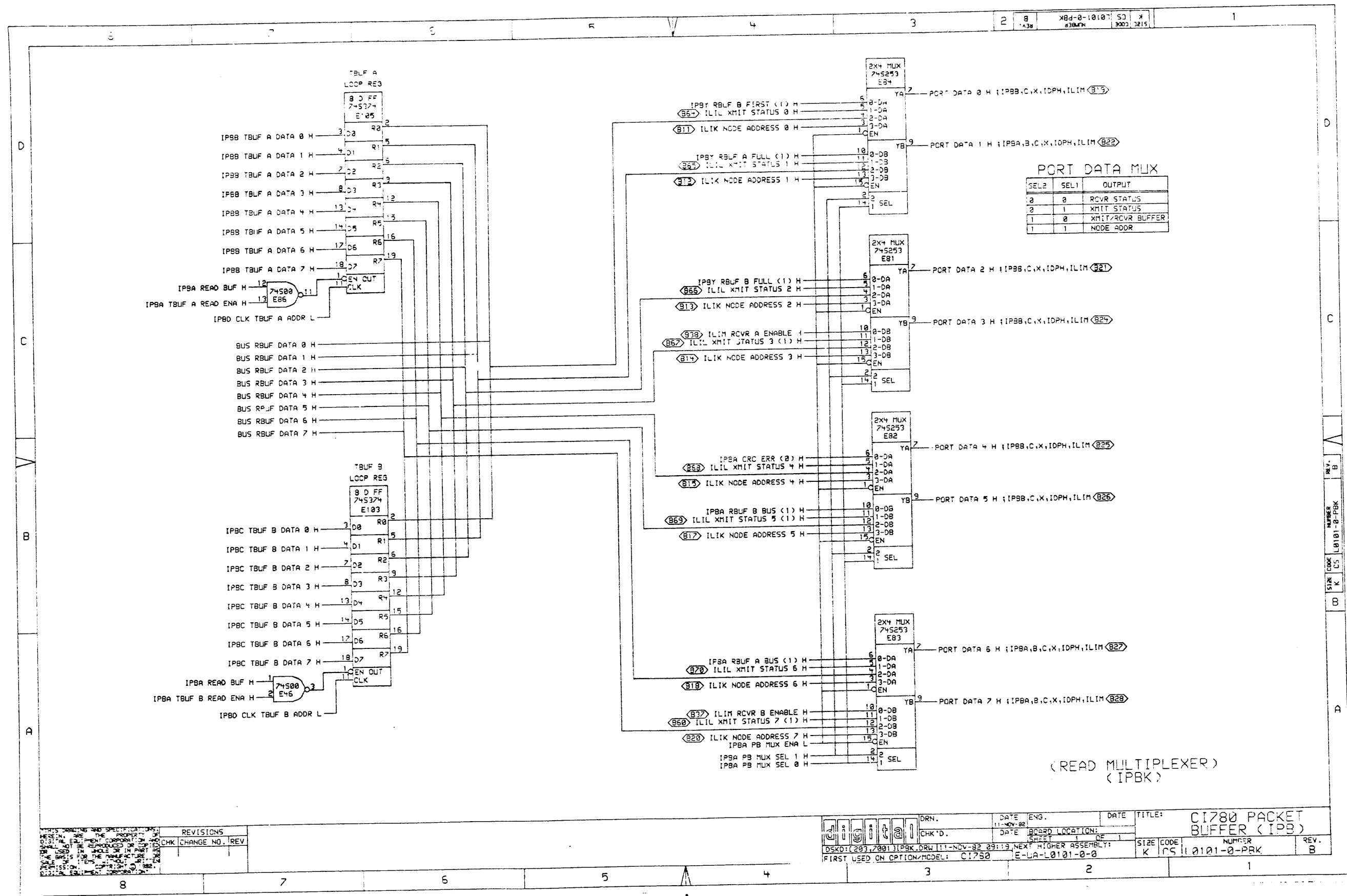


REV. NO.	DATE	DESCRIPTION
1	11-NOV-82	INITIAL DESIGN

REV. NO.	DATE	DESCRIPTION
1	11-NOV-82	INITIAL DESIGN

REV. NO.	DATE	DESCRIPTION
1	11-NOV-82	INITIAL DESIGN

DATE	11-NOV-82	ENG.	DATE	TITLE	CI780 PACKET BUFFER (IPB)
CHK'D.		DATE	BOARD LOCATION:	SHEET	OF 1
DSKD: [207.200] IPBF.DRW	11-NOV-82 09:19	NEXT HIGHER ASSEMBLY:	SIZE CODE	NUMBER	REV.
FIRST USED ON OPTION/MODEL:	CI780	E-UA-L0101-0-0	K 105	L0101-0-PBF	B



PORT DATA MUX

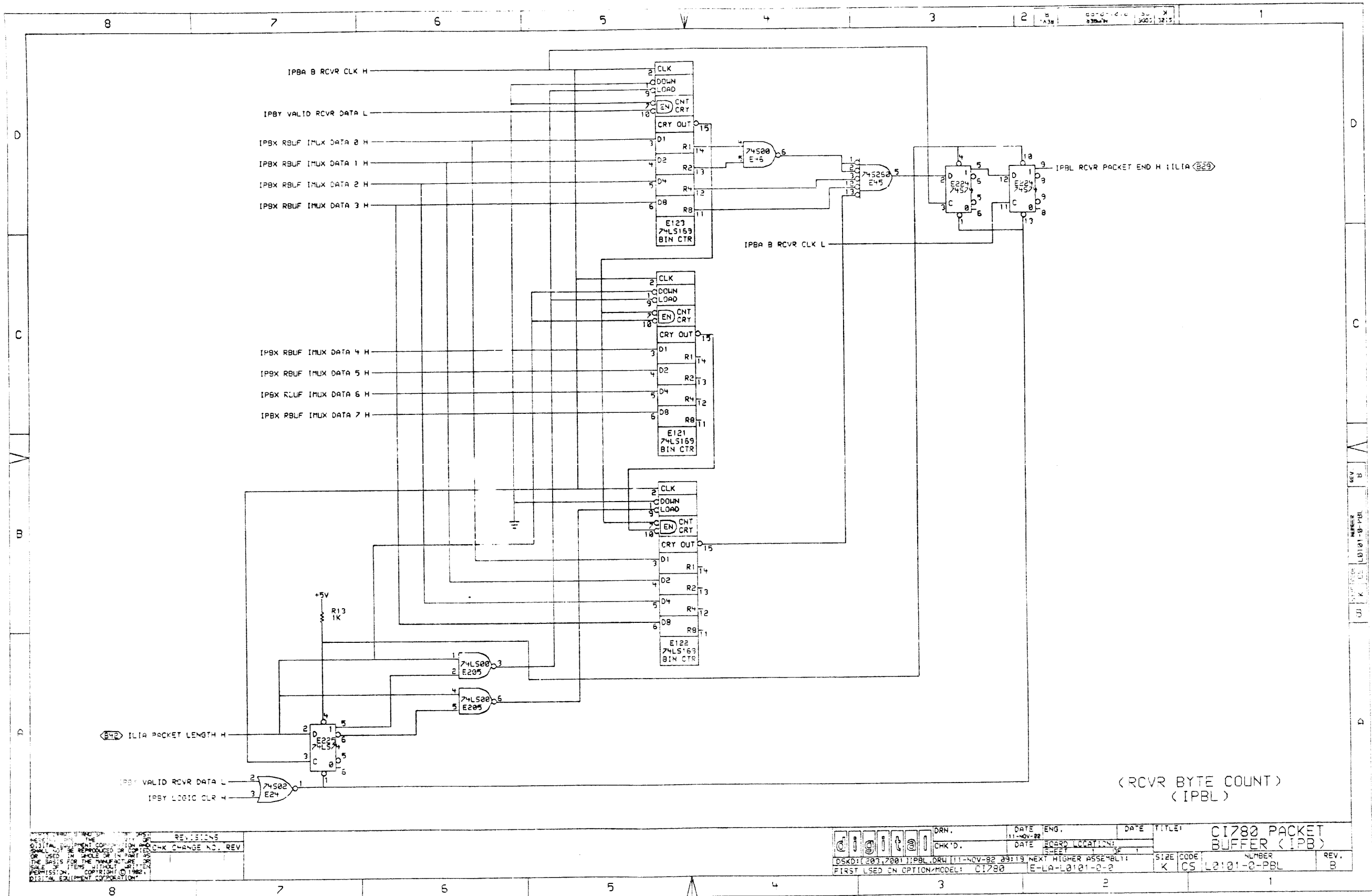
SEL2	SEL1	OUTPUT
0	0	RCVR STATUS
0	1	XMIT STATUS
1	0	XMIT/RCVR BUFFER
1	1	NODE ADDR

(READ MULTIPLEXER)
(IPBK)

REVISIONS

CHK	CHANGE NO.	REV

DRN.	DATE	ENG.	DATE	TITLE:	C1780 PACKET BUFFER (IPB)
CHK'D.	DATE	BOARD LOCATION:	SHEET	OF	NUMBER
OSKD: (203,2001) IPBK.DRW	11-NOV-82	291:3	NEXT HIGHER ASSEMBLY:	SIZE	CODE
FIRST USED ON OPTION MODEL:	C1750	E-LA-L0101-0-0		K	CS 110101-0-PRK
					REV. B

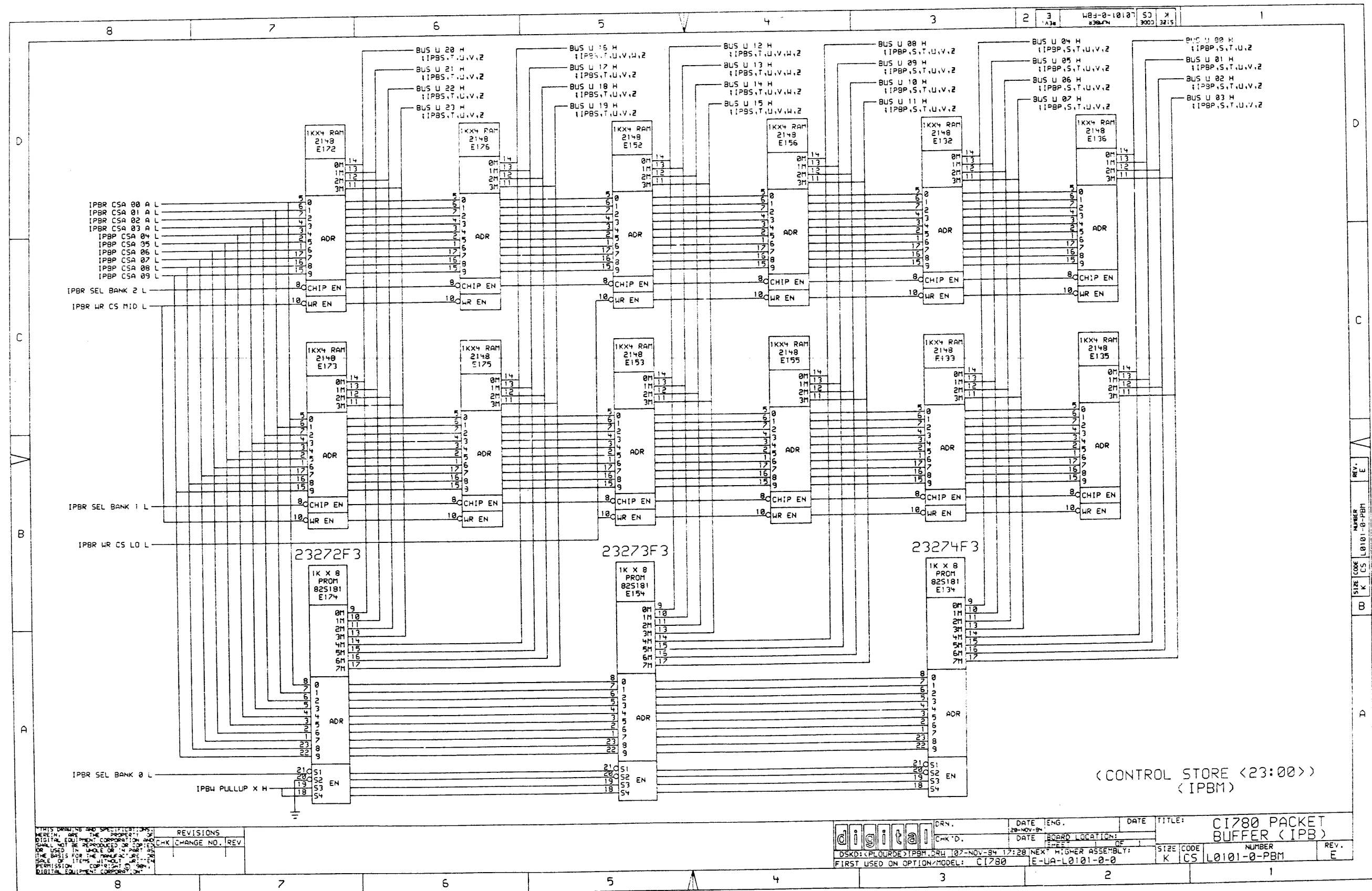


(RCVR BYTE COUNT)
(IPBL)

REV. R
 NUMBER L0101-0-PBL
 DATE 11-NOV-82
 SHEET 1 OF 1
 DRAWN BY K

REV.	DESCRIPTION
1	INITIAL DESIGN
2	REVISIONS
3	CHK CHANGE NO. REV

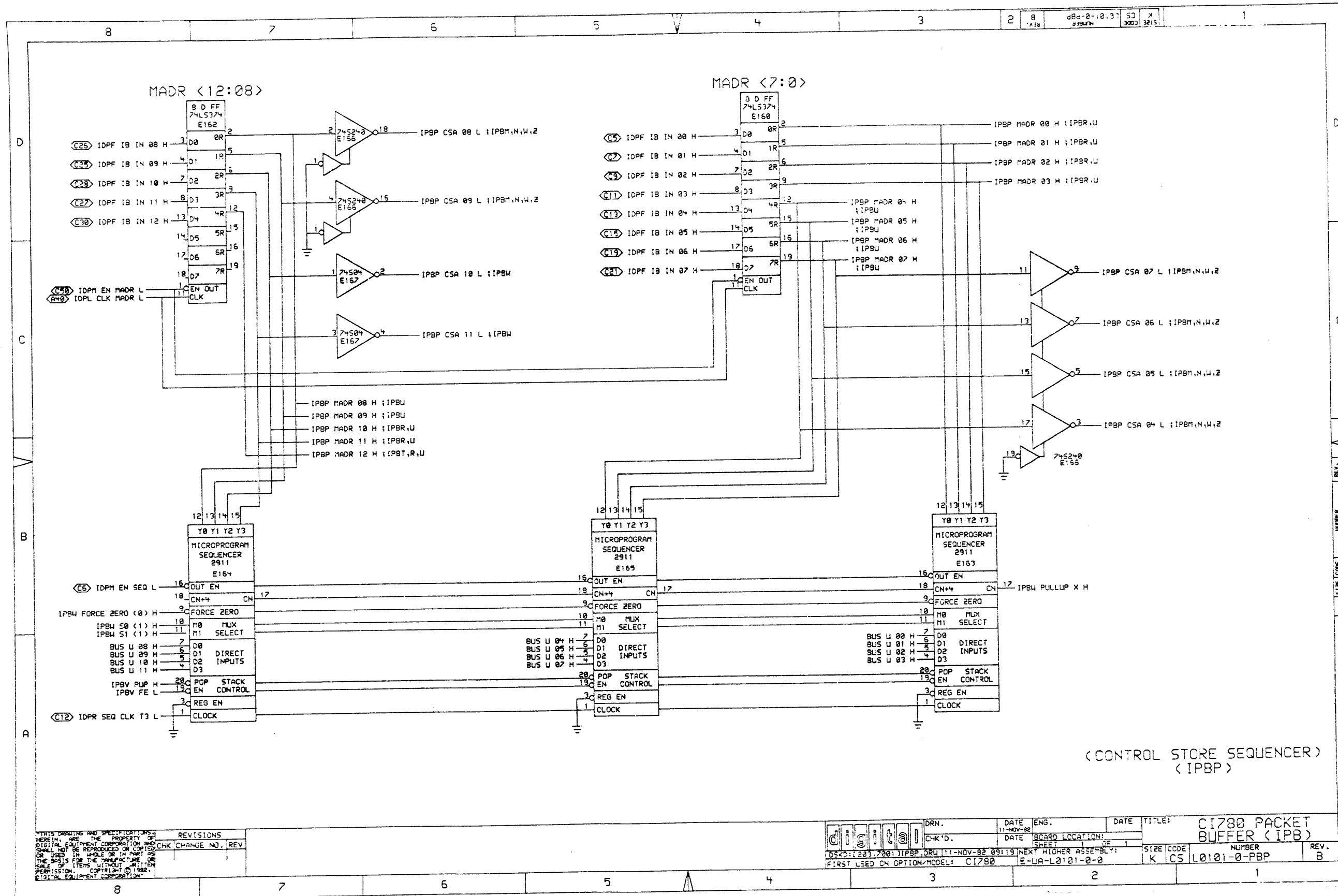
DRN.	DATE	ENG.	DATE	TITLE
CHK'D.	DATE	ECSD LOCATION	SHEET	OF
DSKD: I 203, 2001 IPBL.DRW 11-NOV-82 09119 NEXT HIGHER ASSEMBLY:				SIZE CODE NUMBER K CS L0101-0-PBL
FIRST USED ON OPTION/MODEL: CI780 E-LA-L0101-0-2				REV. B



THIS DRAWING AND SPECIFICATIONS ARE THE PROPERTY OF DIGITAL EQUIPMENT CORPORATION AND SHALL NOT BE REPRODUCED OR COPIED OR USED IN WHOLE OR IN PART AS THE BASIS FOR THE MANUFACTURE OR SALE OF ITEMS WITHOUT THE WRITTEN PERMISSION OF DIGITAL EQUIPMENT CORPORATION.

REV.	CHG.	NO.	REV.

digital	CRN.	DATE	ENG.	DATE	TITLE:
	CHK'D.	DATE			C1780 PACKET BUFFER (IPB)
DSKD:\PLOWRDE\IPBM.SRW 107-NOV-84 17:20 NEX* HIGHER ASSEMBLY:		SIZE	CODE	NUMBER	REV.
FIRST USED ON OPTION MODEL: C1780		K	CS	L0101-0-PBM	E

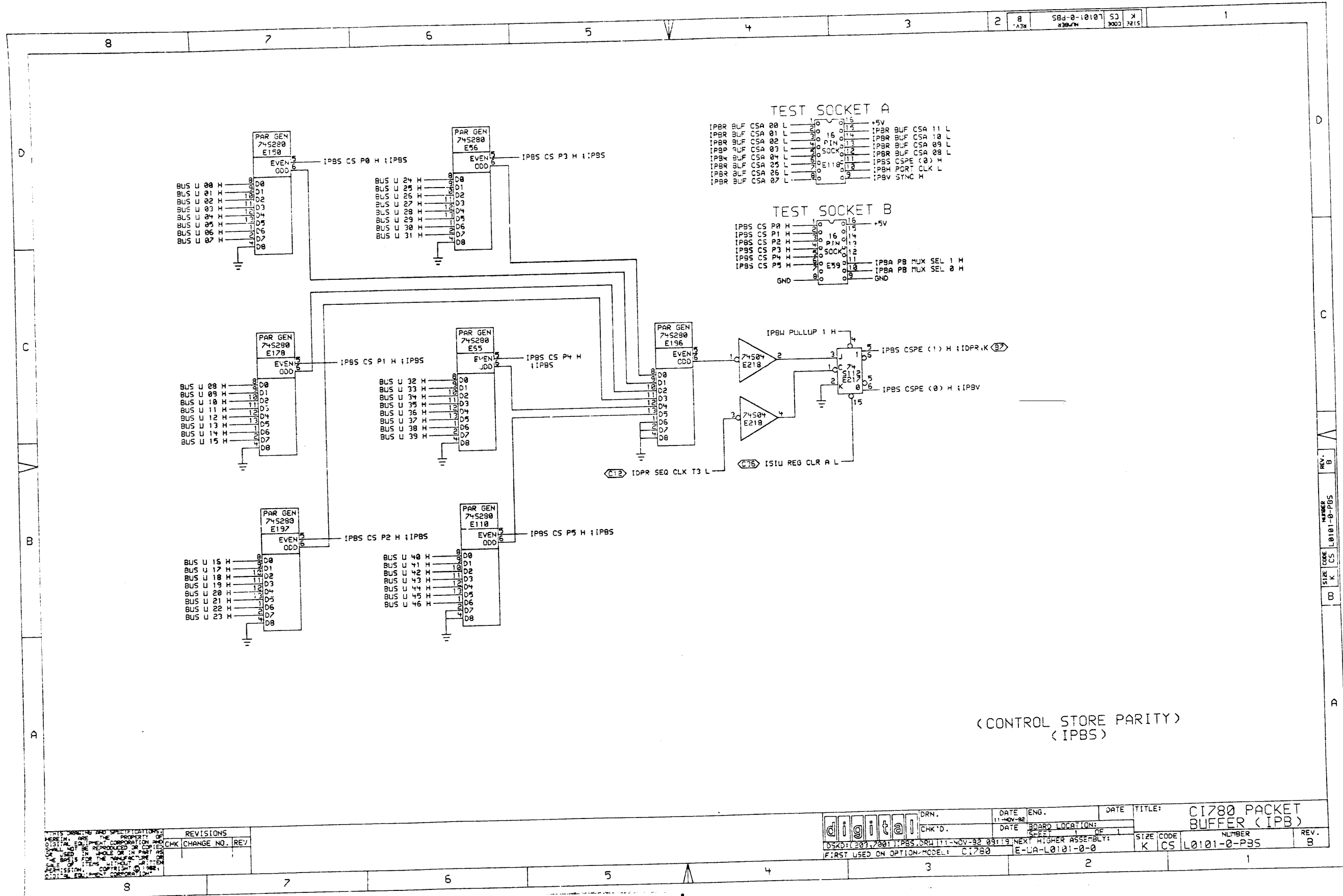


(CONTROL STORE SEQUENCER)
(IPBP)

THIS DRAWING AND SPECIFICATIONS ARE THE PROPERTY OF DIGITAL EQUIPMENT CORPORATION AND SHALL NOT BE REPRODUCED OR COPIED OR USED IN WHOLE OR IN PART OR FOR THE BASIS FOR THE MANUFACTURE OR SALE OF ITEMS WITHOUT WRITTEN PERMISSION. COPYRIGHT © 1982. DIGITAL EQUIPMENT CORPORATION.

REV.	NO.	DATE	BY	CHK	CHANGE NO.	REV.

DRN.	DATE	ENG.	DATE	TITLE:	C1780 PACKET BUFFER (IPBP)
CHK'D.	DATE	BOARD LOCATION:	SHEET	SIZE	CODE
DISK: 233.2001 (IPBP) DRU 11-NOV-82 09:13	NEXT HIGHER ASSEMBLY:	SIZE	CODE	NUMBER	REV.
FIRST USED ON OPTION/MODEL: C1780	E-LA-L0101-0-0	K	CS	L0101-0-PBP	B



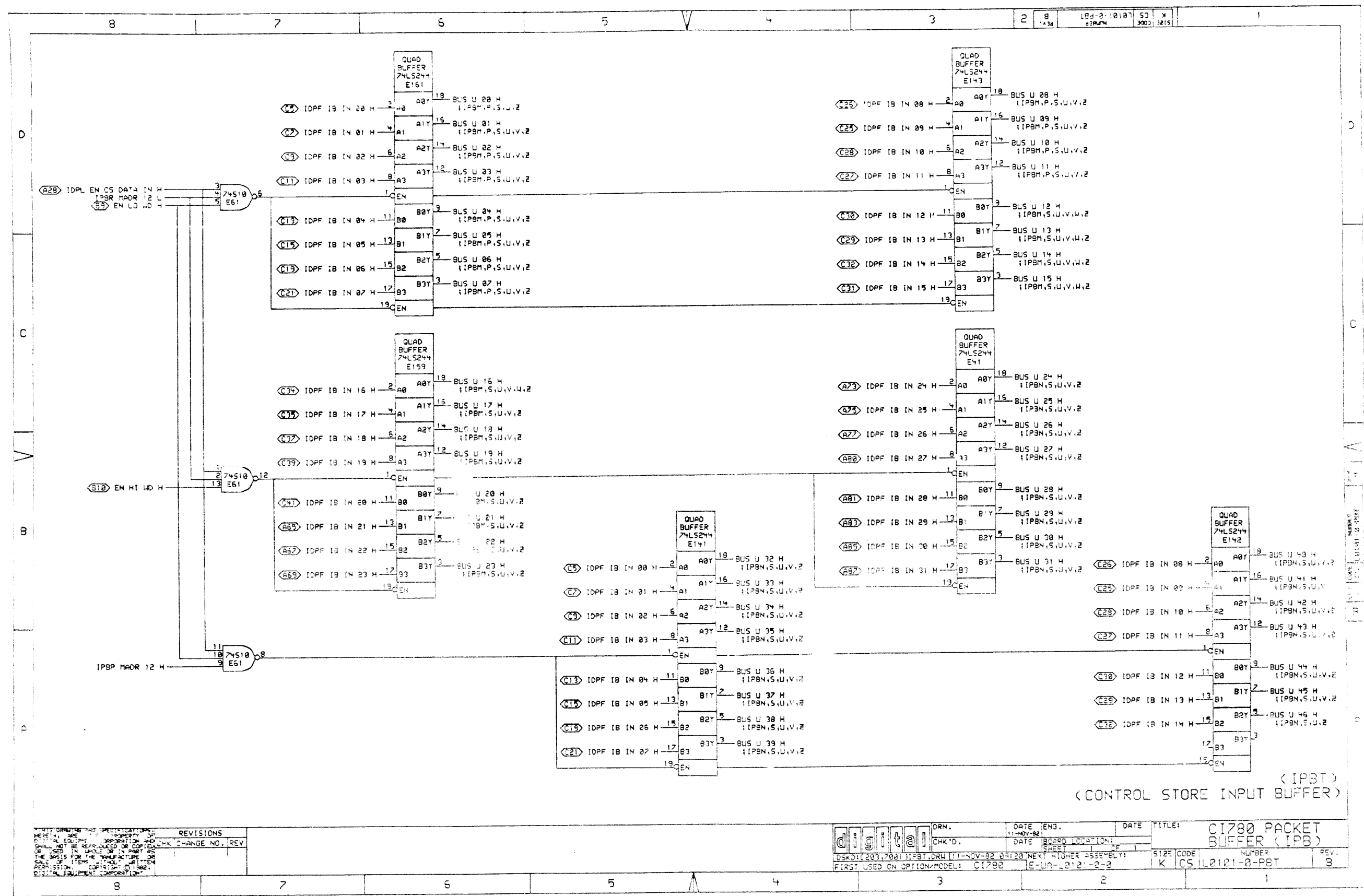
(CONTROL STORE PARITY)
(IPBS)

NOTES, WARNINGS AND SPECIFICATIONS
HEREIN ARE THE PROPERTY OF
DIGITAL EQUIPMENT CORPORATION AND
SHALL NOT BE REPRODUCED OR
TRANSMITTED IN ANY FORM OR BY
ANY MEANS, ELECTRONIC, MECHANICAL,
PHOTOCOPYING, RECORDING, OR BY
ANY INFORMATION STORAGE AND
RETRIEVAL SYSTEM, WITHOUT THE
WRITTEN PERMISSION OF DIGITAL
EQUIPMENT CORPORATION.

REVISIONS
CHK CHANGE NO. REV

DATE	ENG.	DATE	TITLE:
11-NOV-82			C1780 PACKET BUFFER (IPB)
DATE	BOARD LOCATION:		
	SHEET 1 OF 1		
DSKD11201, 17801 IPBS DRW 11-NOV-82 09:19 NEXT HIGHER ASSEMBLY:			SIZE CODE
FIRST USED ON OPTION-MODEL: C1780			K CS
			NUMBER
			L0101-0-PBS
			REV.
			B

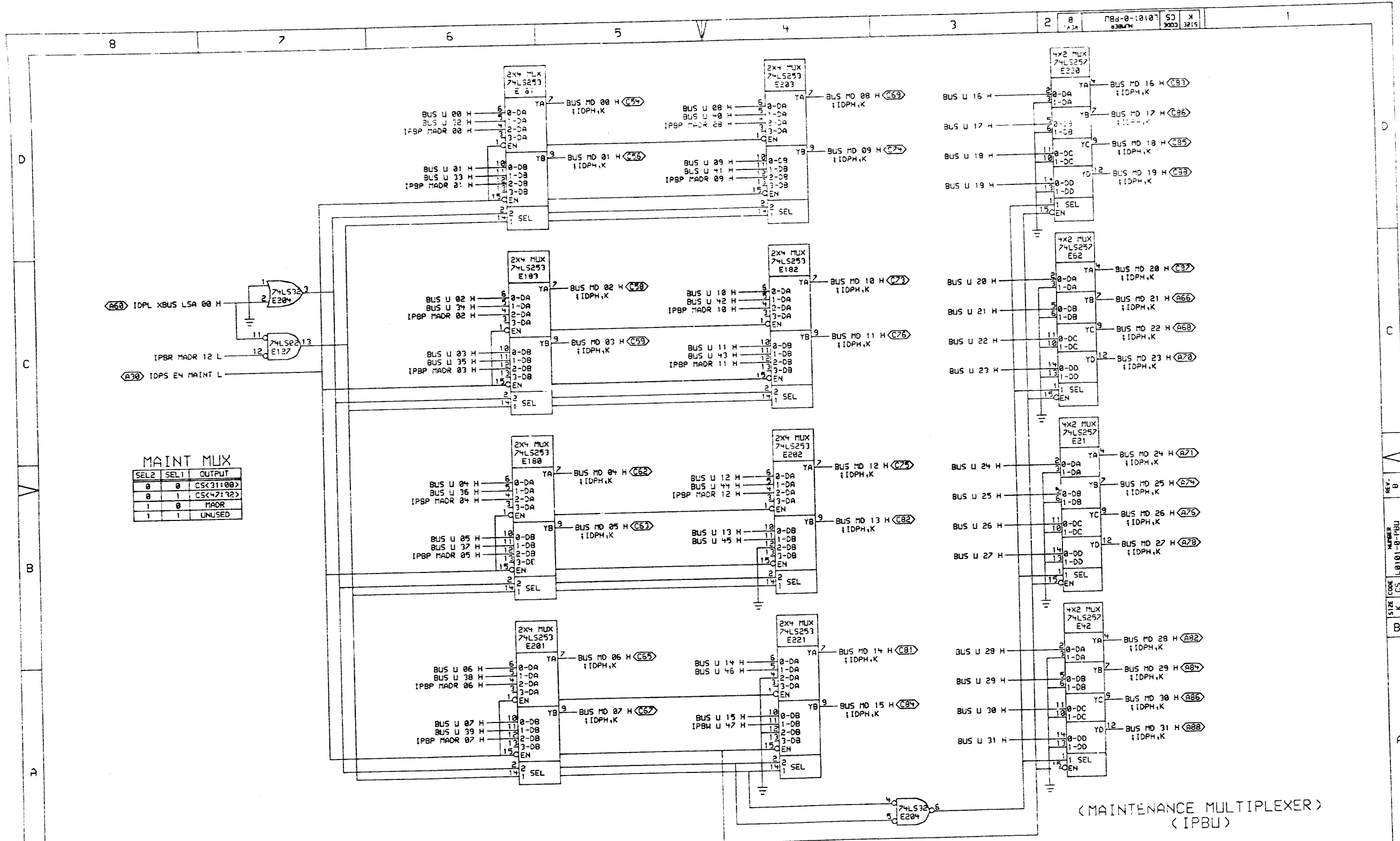
SIZE	CODE	NUMBER	REV.
K	CS	L0101-0-PBS	B



REV.	DATE	DESCRIPTION

REV.	DATE	DESCRIPTION

	ORN. DATE 11-NOV-82 CHK'D. DATE 11-NOV-82 DESIGNED BY: [blank] FIRST USED ON OPTION/MODEL: C1780	ENG. DATE 11-NOV-82 CHECKED BY: [blank] NEXT HIGHER ASSEMBLY: [blank]	DATE 11-NOV-82 SHEET 1 OF 1 SIZE CODE K NUMBER CS L0101-0-PBT	TITLE: C1780 PACKET BUFFER (IPB) REV. 3
--	---	--	--	--



MAINT MUX

SEL2	SEL1	OUTPUT
0	0	CS<31100>
0	1	CS<47172>
1	0	MADR
1	1	UNUSED

(MAINTENANCE MULTIPLEXER)
(IPBU)

REVISIONS

NO.	DATE	DESCRIPTION

digital DRN. DATE ENG. 11 NOV 82 DATE TITLE: CI780 PACKET BUFFER (IPB)

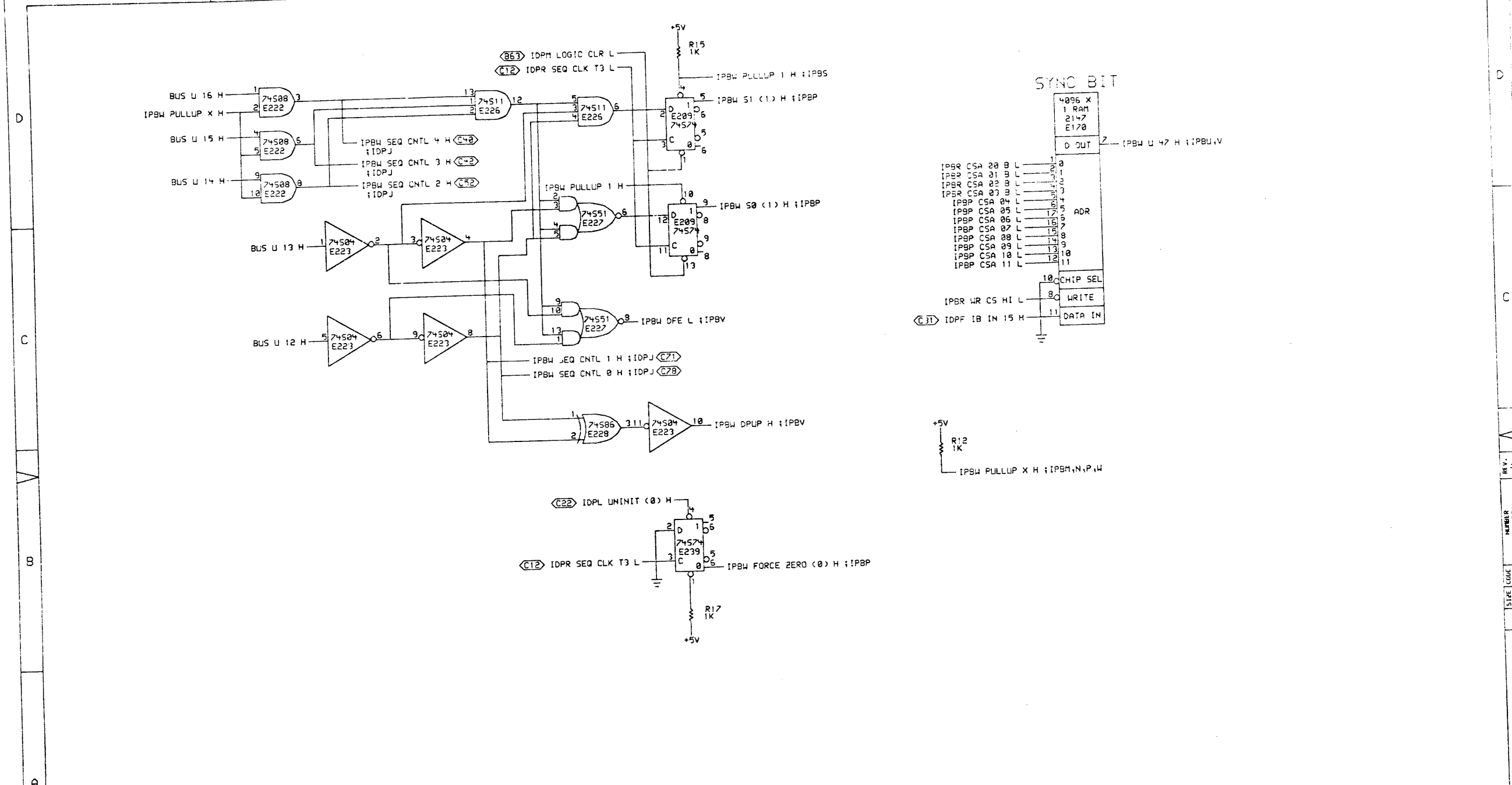
CHK'D. DATE BOARD LOCATION: SHEET OF 1

ASKD: 203,700 IPBU.DRW 11-NOV-82 09:20 NEXT HIGHER ASSEMBLY: E-LSA-0101-0-0

FIRST USED ON OPTION/MODEL: CI780 E-LSA-0101-0-0

SIZE CODE NUMBER REV. K CS L0101-0-PBU E

REV. B
NUMBER L0101-0-PBU
SIZE CODE CS
K



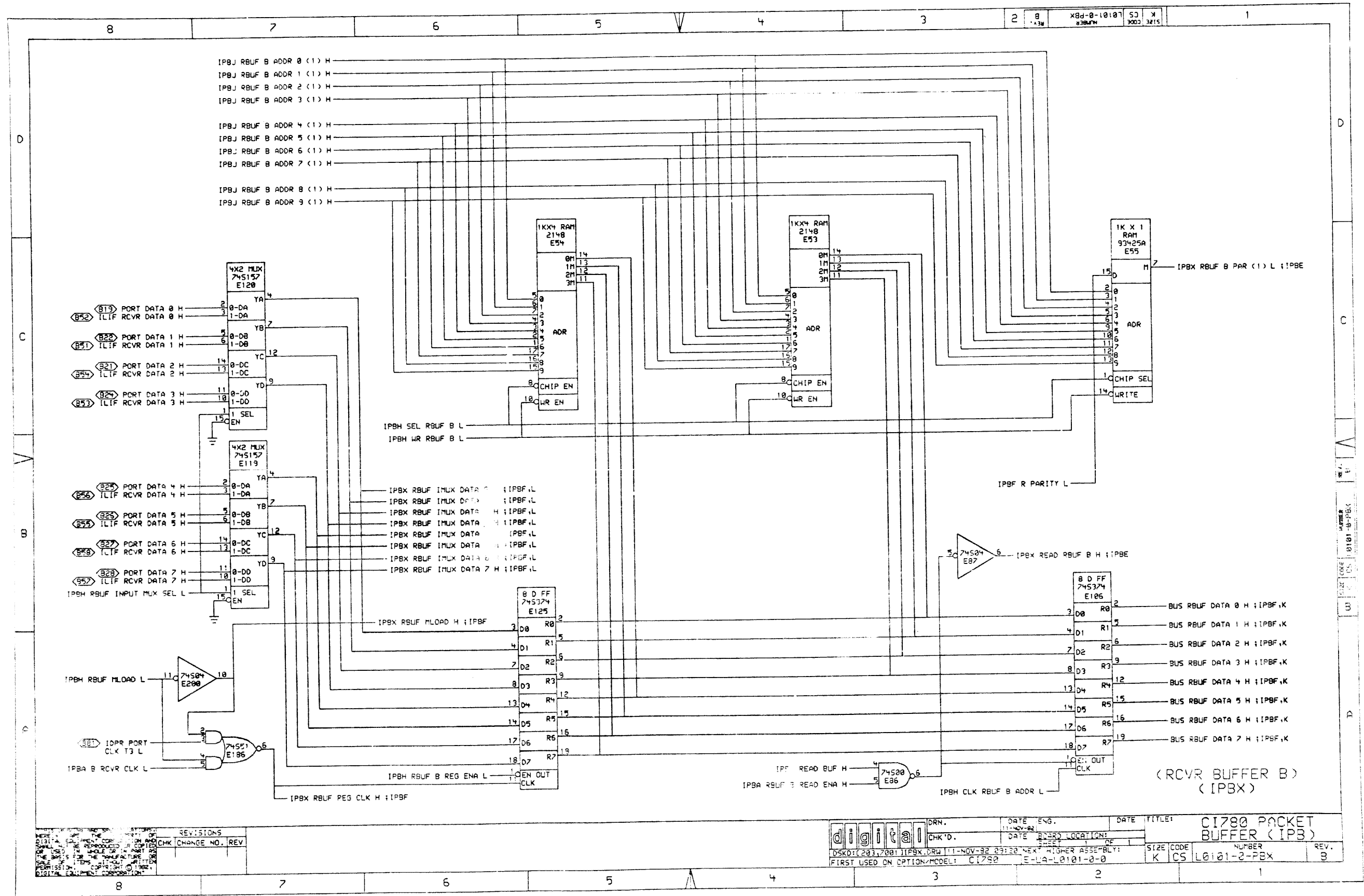
(SEQUENCER CONTROL & SYNC BIT)
 (IPBW)

THIS DRAWING AND SPECIFICATIONS ARE THE PROPERTY OF DIGITAL EQUIPMENT CORPORATION AND SHALL NOT BE REPRODUCED OR COPIED OR USED IN WHOLE OR IN PART OR FOR THE BASIS FOR THE MANUFACTURE OR SALE OF ITEMS WITHOUT WRITTEN PERMISSION. COPYRIGHT © 1982, DIGITAL EQUIPMENT CORPORATION.

REVISIONS	
CHK	CHANGE NO. REV.

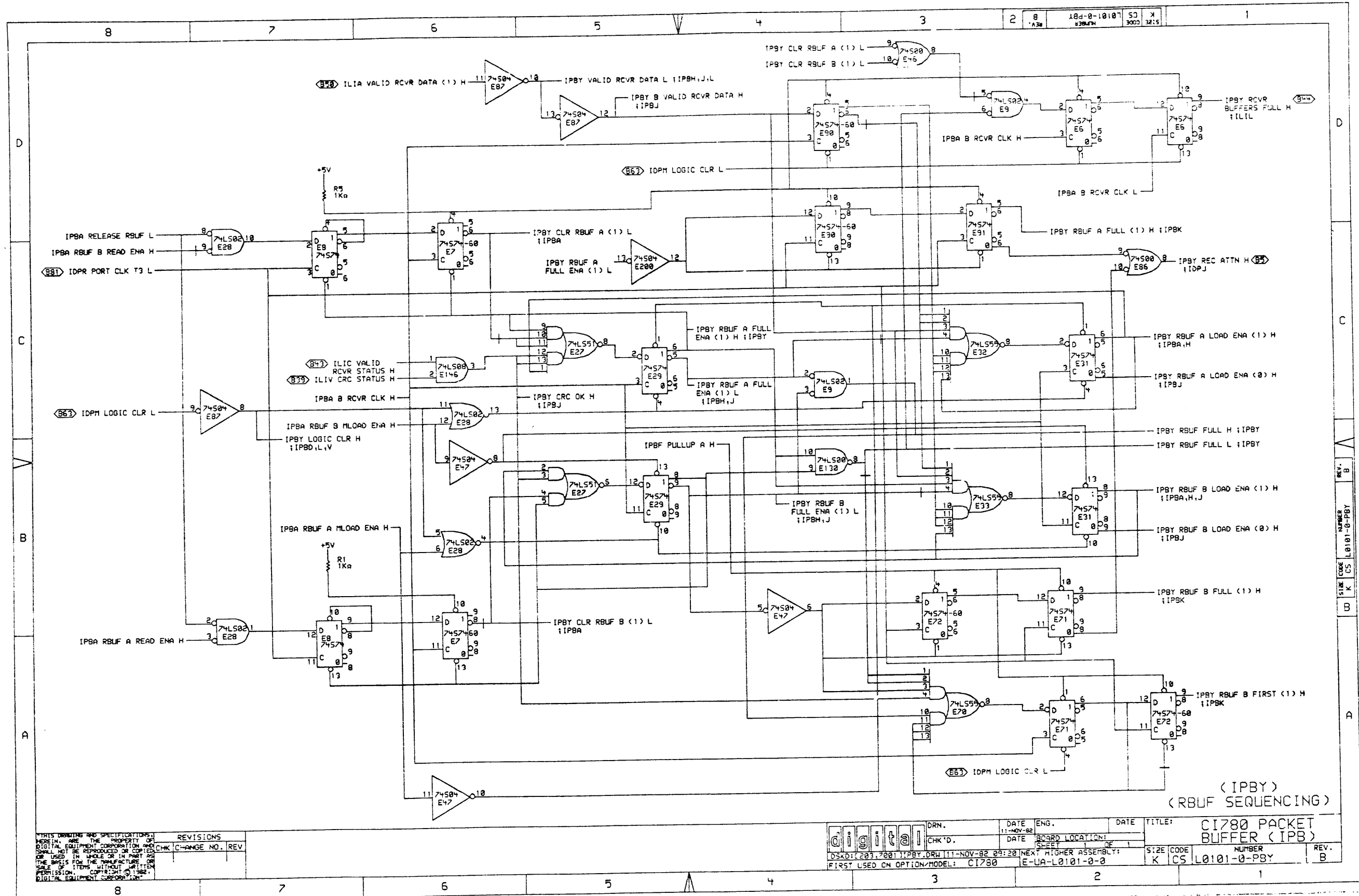
DIGITAL	DRN.	DATE	ENG.	DATE	TITLE:
	CHK'D.	11-NOV-82			C1780 PACKET BUFFER (IPB)
DSKD: [203,200] IPBW.DRW		11-NOV-82 09:20	NEXT HIGHER ASSEMBLY:		SIZE CODE
FIRST USED ON PART/ICON/MODEL:		C1780	E-UA-L0101-0-0		NUMBER
					L0101-0-FBW
					REV. B

REV. U
 NUMBER 338
 MODEL L0101-0-FBW
 SIZE K CS
 CODE 3003



REV. NO.	DESCRIPTION	DATE
1	INITIAL DESIGN	11-NOV-82
2	REVISED FOR MANUFACTURING	11-NOV-82

DATE	ENG.	DATE	TITLE
11-NOV-82		11-NOV-82	CI780 PACKET BUFFER (IPB)
DATE	CHK'D.	DATE	REV.
11-NOV-82		11-NOV-82	3
DSKD: (203,700) IPBX.DRW		NEXT HIGHER ASSEMBLY:	
FIRST USED ON OPTION/MODEL: CI780		E-LA-L0101-0-0	
SIZE	CODE	NUMBER	REV.
K	CS	L0101-2-PBX	3

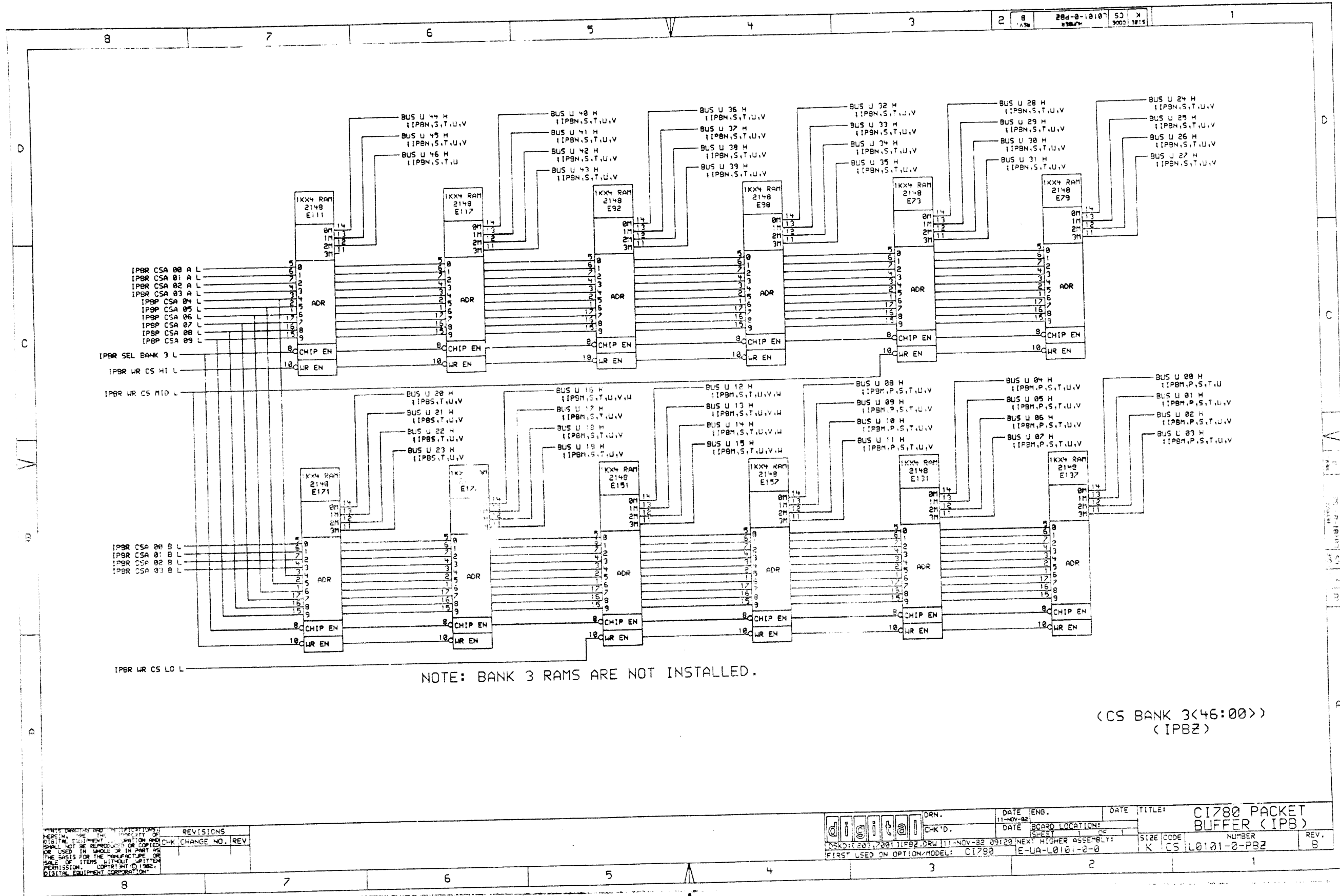


(IPBY)
(RBUF SEQUENCING)

REV.	DESCRIPTION
1	INITIAL DESIGN
2	REVISIONS
3	CHG CHANGE NO. REV

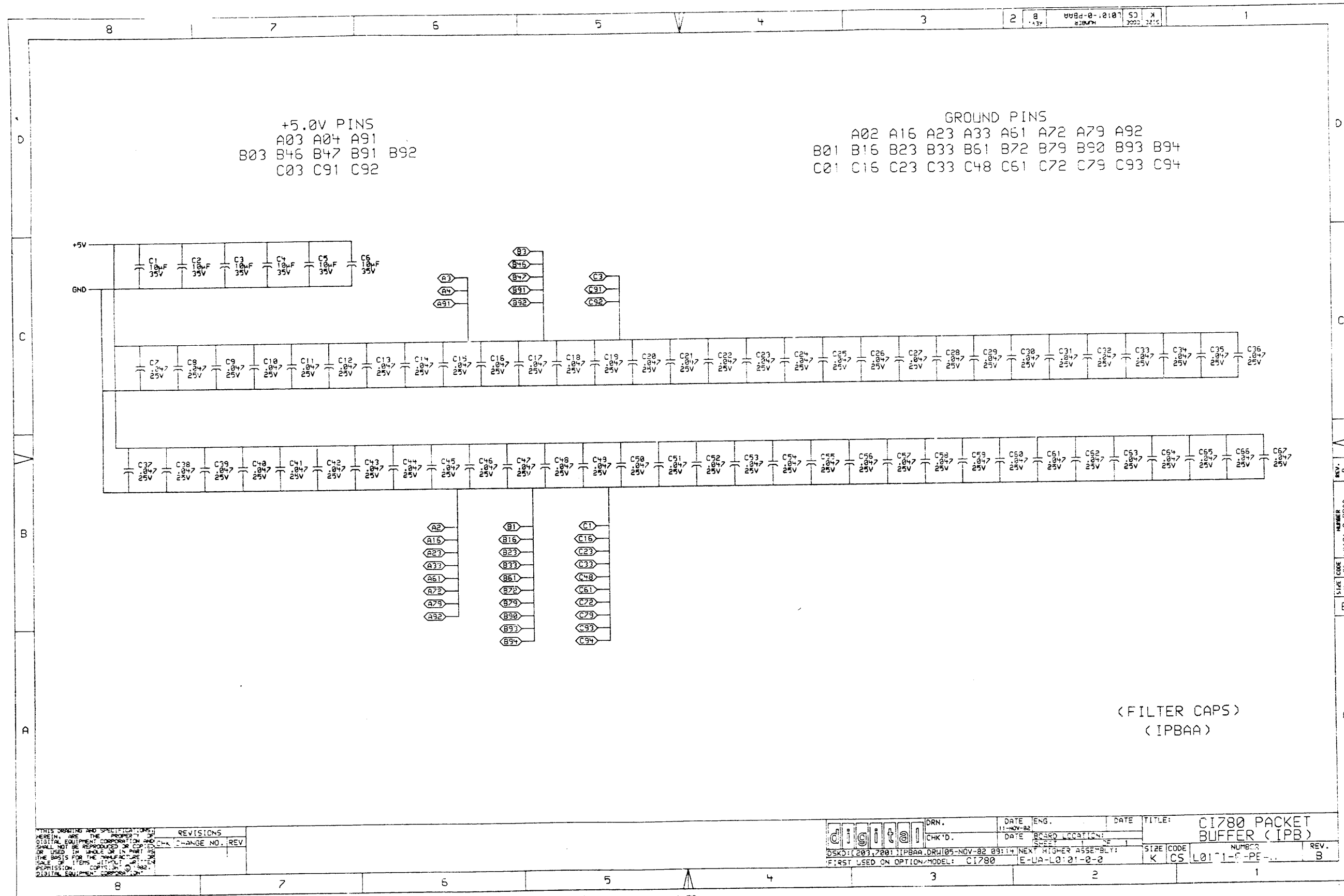
DRN.	DATE	ENG.	DATE	TITLE:
CHK'D.	11-NOV-82			CI780 PACKET BUFFER (IPB)
BOARD LOCATION:				SIZE CODE
SHEET 1 OF 1				NUMBER
NEXT HIGHER ASSEMBLY:				REV.
FIRST USED ON OPTION/MODEL: CI780				B
E-UA-L0101-0-0				

REV. B
NUMBER L0101-0-IPBY
SIZE CODE CS
K CS



REVISIONS	
CHK	CHANGE NO. REV

	DRN.	DATE	ENG.	DATE	TITLE
	CHK'D.	11-NOV-82			CI780 PACKET BUFFER (IPB)
OSK01201, 201, 11PBZ, DRW 11-NOV-82 09:20 NEXT HIGHER ASSEMBLY:		BOARD LOCATION:		SIZE CODE	NUMBER
FIRST USED ON OPTION/MODEL: CI780		E-UA-L0101-0-0		K CS L0101-0-PBZ	REV. B



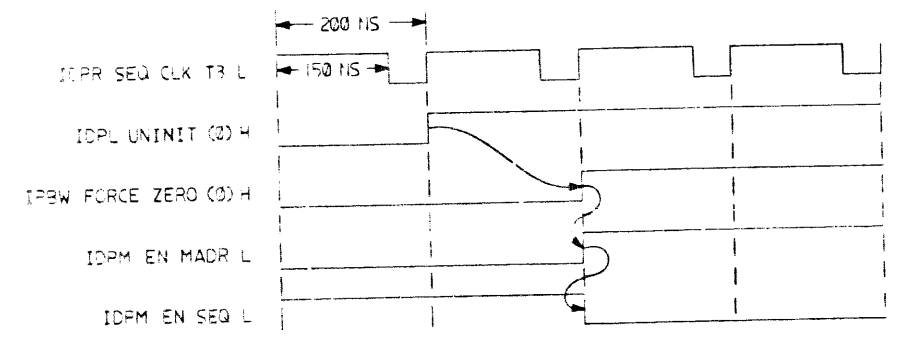
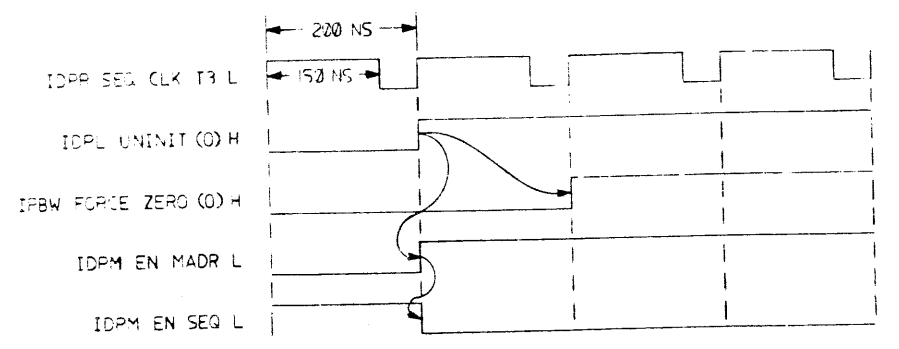
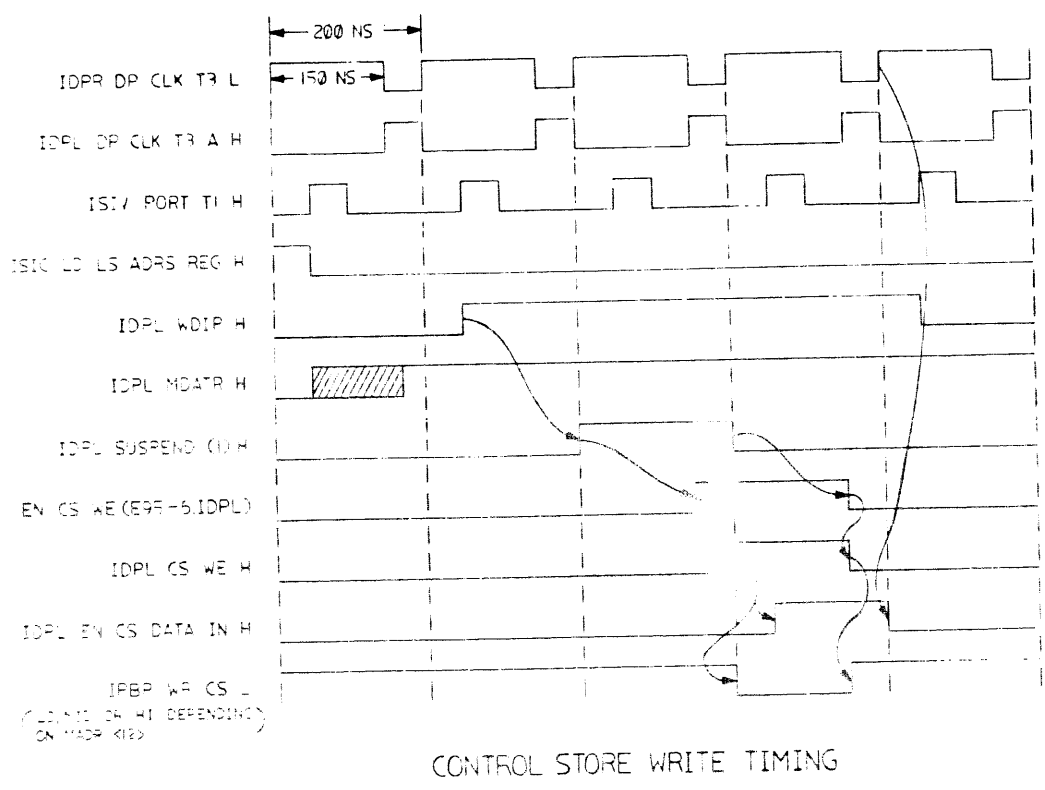
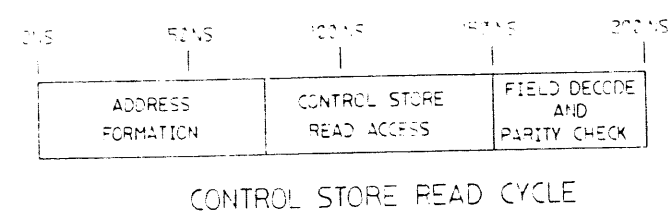
THIS DRAWING AND SPECIFICATIONS ARE THE PROPERTY OF DIGITAL EQUIPMENT CORPORATION AND SHALL NOT BE REPRODUCED OR COPIED OR USED IN WHOLE OR IN PART AS THE BASIS FOR THE MANUFACTURE OR SALE OF ITEMS WITHOUT WRITTEN PERMISSION. COPYRIGHT © 1982, DIGITAL EQUIPMENT CORPORATION.

REV.	CHG.	CHANGE NO.	REV.

digital	DRN.	DATE	ENG.	DATE	TITLE:
	CHK'D.	11-NOV-82			C1780 PACKET BUFFER (IPB)
DSKID: (203,2001) IPBAA.DRW (05-NOV-82 09:14) NEXT HIGHER ASSEMBLY:		DATE		LOCN.	REV.
FIRST USED ON OPTION/MODEL: C1780		E-UA-L0101-0-0		K CS	B

REV. B
NAME: L0101-0-PEAA
CS K B A

THIS DRAWING AND SPECIFICATIONS HEREIN ARE THE PROPERTY OF DIGITAL EQUIPMENT CORPORATION AND SHALL NOT BE REPRODUCED, COPIED, EITHER WHOLLY OR IN PART, OR BY ANY MEANS, WITHOUT THE WRITTEN PERMISSION OF DIGITAL EQUIPMENT CORPORATION.



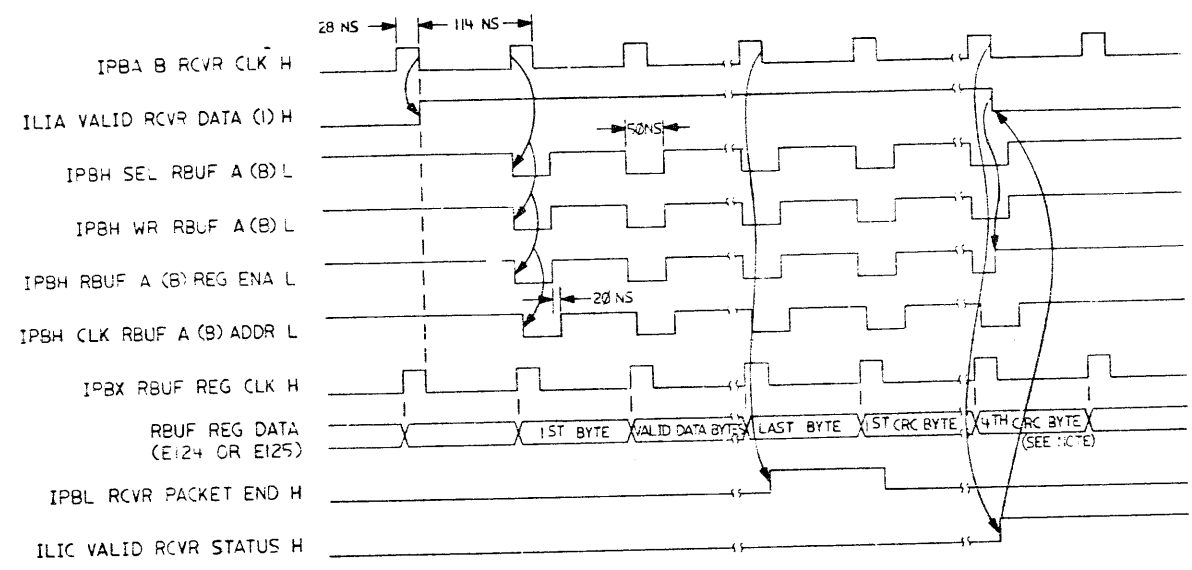
REV	DATE

DESIGNED BY: <i>Freeman</i>	DATE: 4/22/81	TITLE: digital
DRAWN BY: <i>Freeman</i>	DATE: 5/2/81	CI780 (IPB)
CHECKED BY: <i>M. J. ...</i>	DATE: 9/11/81	PACKET BUFFER
TESTED BY: <i>M. J. ...</i>	DATE: 9/11/81	DOCUMENT NUMBER
WROTE BY: <i>M. J. ...</i>	DATE: 7/2/81	D TD LO101-0-2
NEXT SHEET NO: E-UA-LO101-0-0		

THIS DRAWING AND SPECIFICATIONS HEREIN ARE THE PROPERTY OF DIGITAL EQUIPMENT CORPORATION AND SHALL NOT BE REPRODUCED OR COPIED OR USED IN WHOLE OR IN PART AS THE BASIS FOR THE MANUFACTURE OR SALE OF ITEMS WITHOUT WRITTEN PERMISSION.
 COPYRIGHT © 1981 DIGITAL EQUIPMENT CORPORATION

6-0-1010-0110

NOTE:
 1. THE FOURTH CRC BYTE IS NOT WRITTEN INTO THE RECEIVE BUFFER BECAUSE IPBH RBUF A OR B REG ENA L IS NOT VALID FOR THE ENTIRE WRITE CYCLE.



RECEIVER BUFFER WRITE TIMING
 FOR LINK → BUFFER LOAD

REVISION HISTORY		
DATE	ECD NUMBER	REV

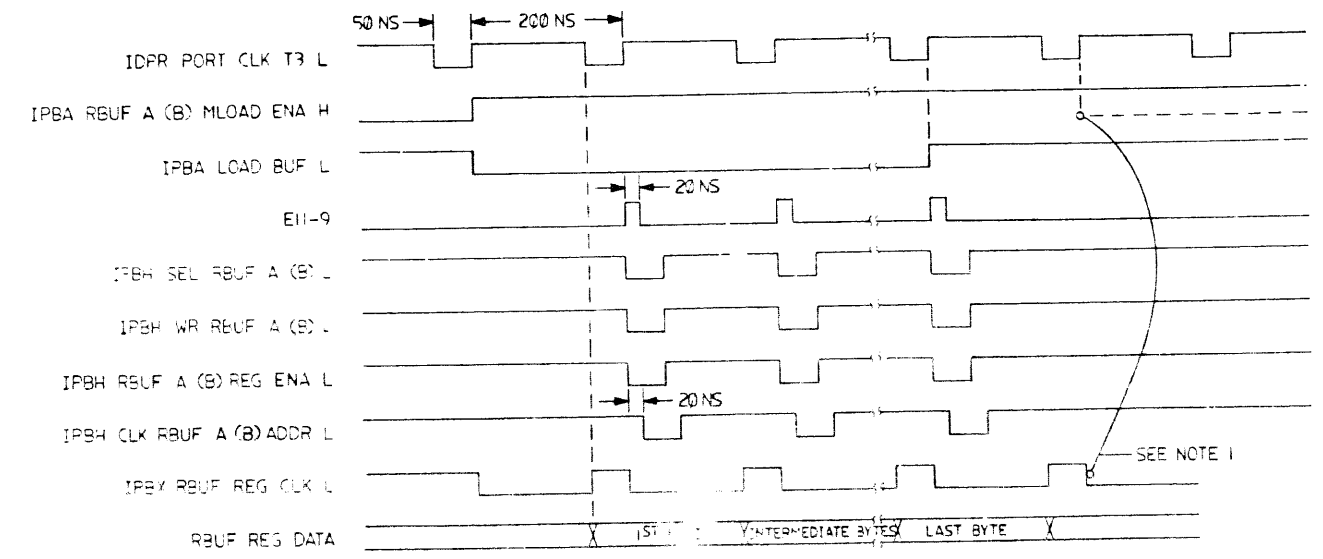
TITLE
 CI780
 PACKET BUFFER (IPB)

DOCUMENT NUMBER		REV
SIZE CODE	NUMBER	A
D1D	LO101-0-3	
SCALE	SHEET 2 OF 4	

REV A
 NUMBER
 D1D LO101-0-3

THIS DRAWING AND SPECIFICATIONS HEREIN ARE THE PROPERTY OF DIGITAL EQUIPMENT CORPORATION AND SHALL NOT BE REPRODUCED OR FOR REUSE IN WHOLE OR IN PART AS THE BASIS FOR THE MANUFACTURE OR SALE OF ITEMS WITHOUT WRITTEN PERMISSION FROM DIGITAL EQUIPMENT CORPORATION.

NOTE:
 1. IPBX RBUF REG CLK L SOURCE IS DERIVED FROM IPBA B RCVR CLK L WHEN IPBA RBUF A(OR B) MLOAD ENA H IS FALSE.



RECEIVER BUFFER MLOAD TIMING

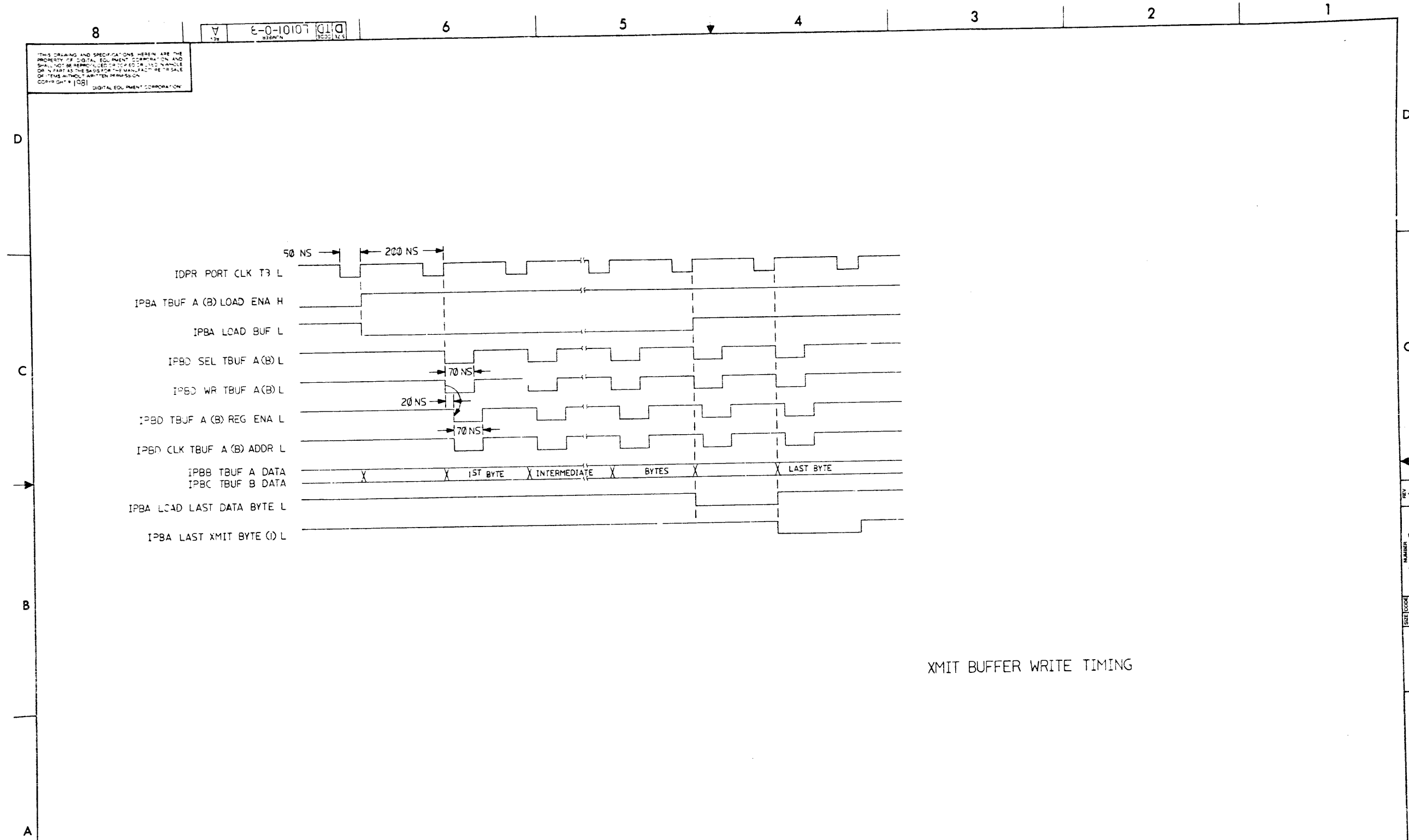
REVISION HISTORY		
DATE	ECO NUMBER	REV

TITLE C1780
 PACKET BUFFER (IPB)

DOCUMENT NUMBER		REV.
SIZE 10006	NUMBER	A
DITD L0101-0-3		
SCALE	SHEET 3	OF 4

THIS DRAWING AND SPECIFICATIONS HEREIN ARE THE PROPERTY OF DIGITAL EQUIPMENT CORPORATION AND SHALL NOT BE REPRODUCED OR COPIED OR USED IN WHOLE OR IN PART AS THE BASIS FOR THE MANUFACTURE OR SALE OF ITEMS WITHOUT WRITTEN PERMISSION.
 COPYRIGHT © 1981 DIGITAL EQUIPMENT CORPORATION

6-0-10101-03
 11/81

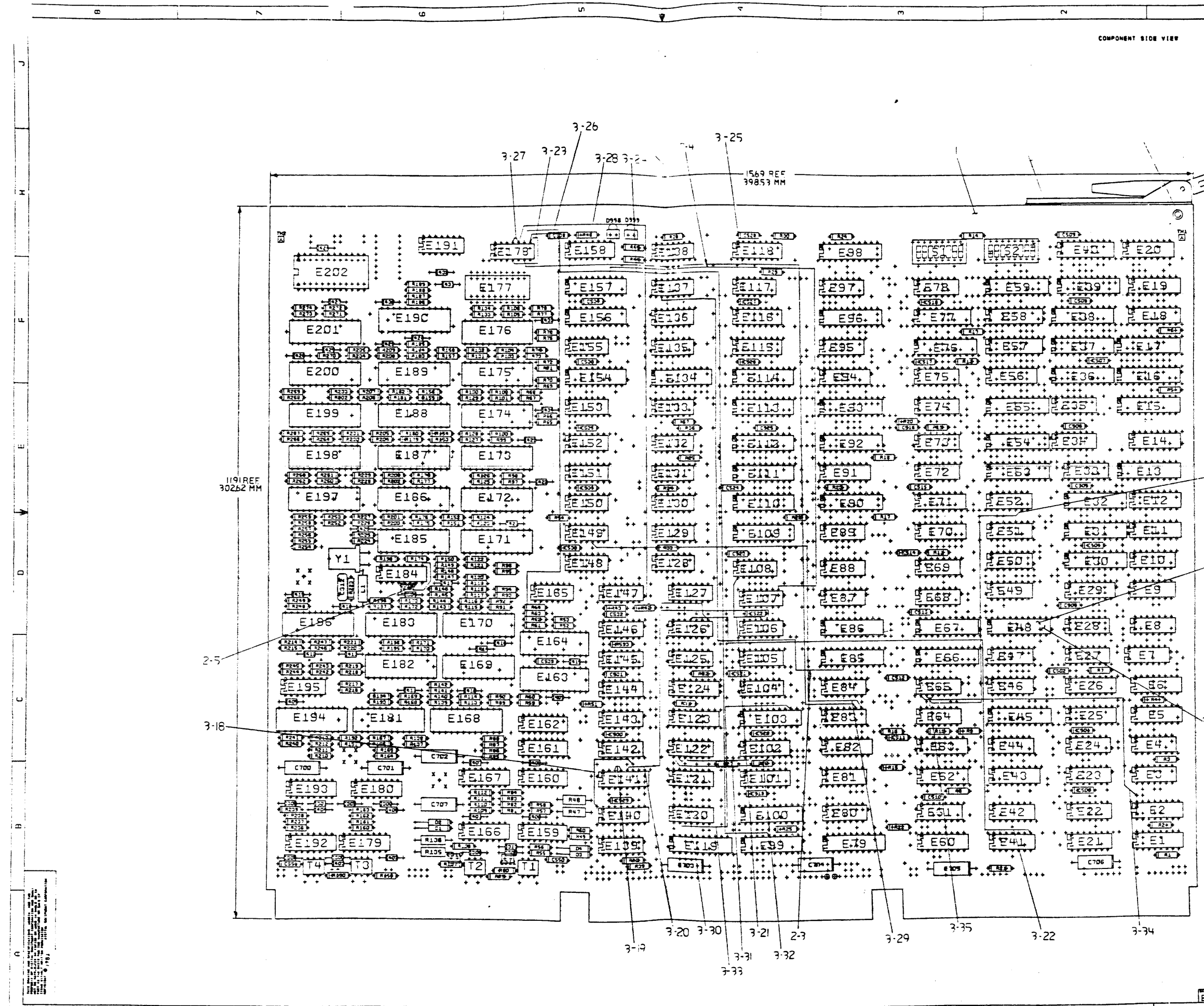


XMIT BUFFER WRITE TIMING

REVISION HISTORY		
DATE	ECO NUMBER	REV

TITLE		DOCUMENT NUMBER	
CI760		D1D L0101-0-3	
PACKET BUFFER (IPB)		SCALE	SHEET 4 OF 4
		TW	1

COMPONENT SIDE VIEW



DATE	7/27/70
DESIGNED BY	D. J. GERRY
PROJ. ENG. / DRAWN BY	D. J. GERRY
SHEET NO.	1
TITLE	DIGITAL INTERPROCESSOR LINK INTERFACE
PROJECT NO.	JA L0100-0-0
REV. NO.	0
REV. DATE	
REV. BY	
REV. DESCRIPTION	

DESIGNED BY	D. J. GERRY
CHECKED BY	
DATE	7/27/70
PROJECT NO.	JA L0100-0-0
SHEET NO.	1
TITLE	DIGITAL INTERPROCESSOR LINK INTERFACE

DATE	7/27/70
DESIGNED BY	D. J. GERRY
CHECKED BY	
DATE	7/27/70
PROJECT NO.	JA L0100-0-0
SHEET NO.	1
TITLE	DIGITAL INTERPROCESSOR LINK INTERFACE

DATE	7/27/70
DESIGNED BY	D. J. GERRY
CHECKED BY	
DATE	7/27/70
PROJECT NO.	JA L0100-0-0
SHEET NO.	1
TITLE	DIGITAL INTERPROCESSOR LINK INTERFACE

DATE	7/27/70
DESIGNED BY	D. J. GERRY
CHECKED BY	
DATE	7/27/70
PROJECT NO.	JA L0100-0-0
SHEET NO.	1
TITLE	DIGITAL INTERPROCESSOR LINK INTERFACE

NOTES:
 1. DIMENSIONS ARE IN MILLIMETERS.
 2. UNLESS OTHERWISE SPECIFIED, DIMENSIONS ARE TO CENTER OF COMPONENT.
 3. DIMENSIONS TO CENTER OF COMPONENT.
 4. DIMENSIONS TO CENTER OF COMPONENT.
 5. DIMENSIONS TO CENTER OF COMPONENT.
 6. DIMENSIONS TO CENTER OF COMPONENT.
 7. DIMENSIONS TO CENTER OF COMPONENT.
 8. DIMENSIONS TO CENTER OF COMPONENT.
 9. DIMENSIONS TO CENTER OF COMPONENT.
 10. DIMENSIONS TO CENTER OF COMPONENT.

JA L0100-0-0

THIS DRAWING AND SPECIFICATIONS HEREBY ARE THE PROPERTY OF THE UNITED STATES GOVERNMENT AND SHALL REMAIN THE PROPERTY OF THE UNITED STATES GOVERNMENT. NO PART OF THIS DRAWING OR SPECIFICATIONS SHALL BE REPRODUCED OR TRANSMITTED IN ANY FORM OR BY ANY MEANS, ELECTRONIC OR MECHANICAL, INCLUDING PHOTOCOPYING, RECORDING, OR BY ANY INFORMATION STORAGE AND RETRIEVAL SYSTEM, WITHOUT PERMISSION IN WRITING FROM THE UNITED STATES GOVERNMENT. CONTRACT NUMBER 7-1113 DEPT. OF DEFENSE CONTRACT

REWORK INSTRUCTIONS

WIRE ADDS SIDE 1 LO100-TW002

- 2-4 ADD WIRE FROM E15-4 TO E137-2
- 2-4 ADD WIRE FROM E107-8 TO E157-13
- 2-5 ADD WIRE FROM E184-6 TO E184-9

ECC*3

WIRE ADDS SIDE 1

- 3-18 FROM PTH TO THE LEFT OF E140-16 TO PTH ABOVE E141-11
- 3-19 FROM E141-13 TO E141-14
- 3-20 FROM E106-10 TO E141-12
- 3-21 FROM E105-11 TO E108-1
- 3-22 FROM E141-8 TO E126-11
- 3-23 FROM E178-4 TO E178-8
- 3-24 FROM E178-8 TO E99-16
- 3-25 FROM E178-6 TO E99-9
- 3-26 FROM E178-9 TO E65-2
- 3-27 FROM E178-10 TO E178-11
- 3-28 FROM E178-10 TO E126-8
- 3-29 FROM E99-8 TO E149-5
- 3-30 FROM E122-2 TO E122-3
- 3-31 FROM E122-3 TO E102-2
- 3-32 FROM E122-1 TO E102-5
- 3-33 FROM E120-2 TO E103-12
- 3-34 PTH ABOVE E2-16 TO E65-1
- 3-35 FROM E65-2 TO E65-3
- 3-36 FROM E52-6 TO E65-2

COMPONENT DELETE SIDE 1

3-37 E48 (23-058K3-00)

COMPONENT ADD SIDE 1

3-38 E48 (23-09K3-00)

REVISION HISTORY		
DATE	ECC NUMBER	REV

TITLE
INTERPROCESSOR
LINK INTERFACE

DOCUMENT NUMBER	
NO	CLASS
EJA	LO100-C-0
SCALE 2/1	SHEET 2 OF 3

EJA LO100-C-0 D

LINE	ITEM	TOP DOCUMENT	PART NUMBER	MIN REV	DESCRIPTION	QTY	PER VARIATION	REFERENCE DESIGNATOR
						00		
						VARIATION REVISION LEVEL:		
1	1		5014430-00		L0100 ETCH BOARD	1		
2	78		1001610-00		.01 MFD 50V +80-20% Z5U CER	45		C300-C308,C313,C400-C434
3	2		1001739-00		27.0 MMF 100V 5%200PPM MICA	1		C312
4	3		1011740-01		3300.0 MMF 50V 10% CER	3		C309-C311
5	9		1012784-00		.047 MFD 50V +80-20% CER	42		C500-C538,C550,C551,C539
6	90		1017472-00		10 MFD 35V +75-10% AL EL	8		C700-C707
7	4		1109517-00		PIV= 75 IO=150 MA - 4NS 1N914B	4		D1-D4
8	98		1117373-00		LED ASSY GREEN	1		D998
9	99		1117373-01		LED ASSY RED	1		D999
10	5		1217310-05		SW,DIP 8POS/1PST 5VDC100MA S	2		S1,S2
11	6		1216988-02		HANDLE,MODULE,HEX TWO EJECTORS	1		
12	7		1300005-01		R NETWORK 13-1K 5.0 % 14PIN	1		E78
13	8		1300005-07		R NETWORK 15-4.7K 5.0 % 16PIN	2		E19,E56
14	9		1300250-00		150.0 .25 W 5.0 % CF	7		R17,R18,R28,R55,R56,R107,R108
15	10		1300295-00		330.0 .25 W 5.0 % CF	2		R44,R45
16	11		1300365-00		1.0 K .25 W 5.0 % CF	40		R1-R5,R7-R11,R14-R16,R19-R26, CONT R29,R30,R32-R36,R42,R43,R46,R51, CONT R54,R593,R27,R31,R37,R38-R40
17	18		1300447-00		4.70 K .25 W 5.0 % CF	2		R12,R13
18	12		1301425-00		300.0 .25 W 5.0 % CF	4		R79,R80,R159,R190
19	13		1301781-00		82.0 .50 W 5.0 % CF	4		R47,R48,R135,R136
20	14		1302602-00		56.0 .25 W 5.0 % CF	1		R6
21	15		1302956-00		196.0 .25 W 1.0 % RN55D-F10	103		R50,R53,R58,R60,R61,R63,R66,R67, CONT R69,R72,R74,R75,R77,R81,R83,R86, CONT R88,R90,R92,R93,R96,R97,R100, CONT R102,R104,R106,R109,R111,R113, CONT R115,R118,R120,R121,R124,R126, CONT R128,R129,R132,R133,R137,R139, CONT R142,R146,R148,R150,R152,R154, CONT R155,R158,R164,R166,R169,R170,

REVISION HISTORY		BASIC PART NO: L0100		DRN: J.CASEY	DATE: 24-JUN-81	D I G I T A L		
ENG!	ECO NUMBER	REV	SECTION A OF A	CHK'D: E.T.GERRY	DATE: 24-JUN-81	TITLE PARTS LIST		
---	INITIAL	A	SECTION VARIATION INDEX	DES.ENG: J.BUZYNSKI	DATE: 28-SEP-81	DOCUMENT NUMBER		
JB	L0100-TW001	B	(A) 00	RESP.ENG.: J.BUZYNSKI	DATE: 28-SEP-81	SIZE: K	CODE: PL	NUMBER: L0100-0-DBP
FD	L0100-TW003	C	(B)	MFG.ENG.: M.WARSHAW	DATE: 28-SEP-81	RELEASE DATE: 26-MAR-84		
			(C)	ASSEMBLY NUMBER: E-UA-L0100-0-0	TOP DOCUMENT NUMBER:	FILE NAME: Z1292C.PLS	EDIT #:	23
			(D)					
			(E)					
			(F)					
			(H)					
			(J)					
			(K)					
			(L)					
			(M)					
			(N)					

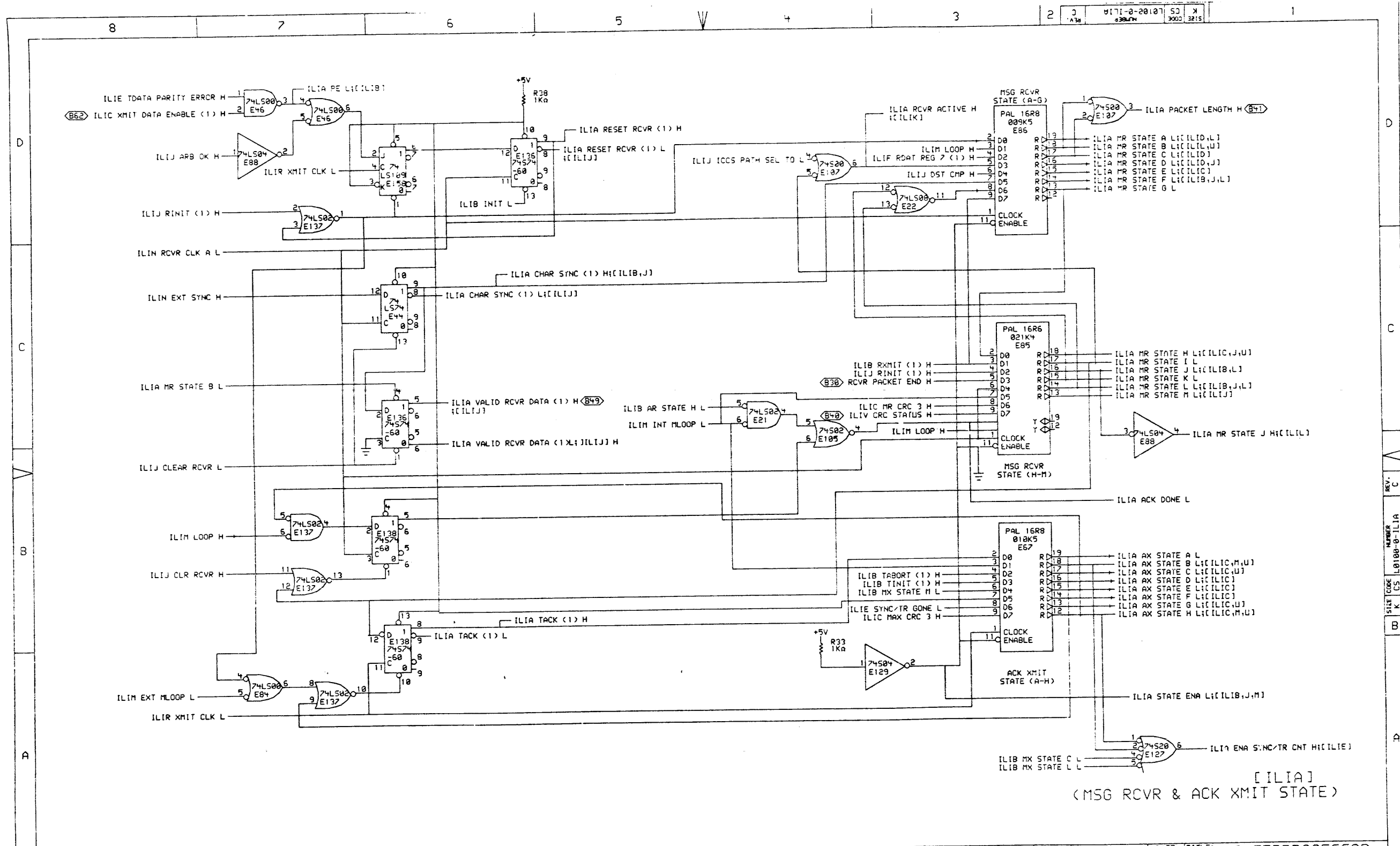
"THIS DRAWING AND THE SPECIFICATIONS CONTAINED HEREIN ARE CONFIDENTIAL AND PROPRIETARY. THEY ARE THE PROPERTY OF DIGITAL EQUIPMENT CORPORATION AND SHALL NOT BE REPRODUCED OR COPIED OR USED IN WHOLE OR IN PART AS THE BASIS FOR THE MANUFACTURE OR SALE OF ITEMS WITHOUT WRITTEN PERMISSION. THIS IS AN UNPUBLISHED WORK PROTECTED UNDER THE FEDERAL COPYRIGHT LAWS."

LINE	ITEM	TOP DOCUMENT	PART NUMBER	MIN REV	DESCRIPTION	VARIATION REVISION LEVEL	QTY	PER VARIATION	REFERENCE DESIGNATOR
22	16		1302957-00		121.0	.25 W 1.0 % RN55D-F10	99		CONT R173-R175,R178,R180,R181, CONT R184-R186,R188,R191,R194,R195, CONT R197,R201,R203,R205,R206,R208, CONT R210,R212,R215,R217,R218,R220, CONT R224,R226,R228,R231,R232,R234, CONT R241,R242,R245,R247,R249,R252, CONT R254,R256,R258,R261,R262,R264, CONT R266,R268-R271,R273,R143 R49,R52,R57,R59,R62,R64,R65,R68, CONT R70,R71,R73,R76,R78,R82,R84,R85, CONT R87,R89,R91,R94,R95,R98,R99, CONT R101,R103,R105,R110,R112,R114, CONT R116,R117,R119,R122,R123,R125, CONT R127,R130,R131,R134,R138,R140, CONT R141,R144,R145,R147,R149,R151, CONT R153,R156,R157,R165,R167,R168, CONT R172,R176,R177,R179,R182,R183, CONT R187,R189,R192,R193,R196, CONT R198-R200,R202,R204,R207,R209, CONT R211,R213,R214,R216,R219,R221, CONT R225,R227,R229,R230,R233,R235, CONT R240,R243,R244,R246,R248,R253, CONT R255,R257,R259,R260,R265,R267, CONT R272,R274,R171,R263 R163,R239 R223 R160,R161,R237,R238 R162,R236 L1 T1,T2 E195 T3,T4 Y1 E33,E52,E89,E107,E128,E139,E145, CONT E149,E151 E61,E69,E126,E129 E34,E35,E87,E148 E104 E108,E127 E125,E131,E152 E3,E4,E121,E133,E153,E10,E80, CONT E81,E136,E138,E191 E26,E29,E63,E101,E118 E6 E115,E116 E160,E162 E167,E184 E161
23	17		1303111-00		205.0	.25 W 1.0 % RN55D-F10	2		
24	19		1312930-00		5.10 K	.25 W 5.0 % CF	1		
25	20		1313008-00		5.11	.25 W 1.0 % RN55D-F10	4		
26	21		1313155-00		604.0	.25 W 1.0 % RN55D-F10	2		
27	22		1603377-00			.22UH 10% 2.7A #WEE.22	1		
28	23		1617970-00			PULSE XFMR 250MW 6PIN DIP	2		
29	24		1617985-00			DELAY= 10.2NS 14PIN DIP	1		
30	103		1618515-00			PULSE XFMR RATIO 2:1,250 MW	2		
31	25		1812051-18			XTAL 70.000 MHZ	1		
32	26		1910532-00			74S00 NAND GATE-QUAD 2IN	9		
33	27		1910534-00			74S04 INVERTER GATE-HEX 1I	4		
34	28		1910536-00			74S10 NAND GATE-TRIPLE 3IN	4		
35	29		1910537-00			74S11 AND GATE-TRIPLE 3INP	1		
36	30		1910539-00			74S20 NAND GATE-DUAL 4INPU	2		
37	31		1910544-00			74S74 FF-D DUAL,EDGE TRIGG	3		
38	32		1910544-01			74S74-60GG-D DUAL,EDGE TRIG	11		
39	33		1910545-00			74S112 FF-JK DUAL,EDGE TRIG	5		
40	34		1910547-00			74S153 MUX 1 OF 4 (DUAL)	1		
41	35		1910548-00			74S157 MUX 1 OF 2 (QUAD)	2		
42	36		1911404-00			10107 XOR/NOR GATE,C-2IN	2		
43	37		1911409-00			10115 QUAD DIF.LINE RCVR	2		
44	38		1911414-00			10124 TTL TO ECL TRNSLTR	1		

D	I	G	I	T	A	L	TITLE	SECTION A	OF	A	SIZE	CODE	DOCUMENT NUMBER	REV
							INTERPROCESSOR LINK INTERFACE				K	PL	L0100-0-DSF	C

LINE	ITEM	TOP DOCUMENT	PART NUMBER	MIN REV	DESCRIPTION	VARIATION REVISION LEVEL	QTY PER VARIATION	REFERENCE DESIGNATOR
91	86		23055K3-00		K3-01	PAL,REG CONT	1	E79
92	83		23091K3-00		K3-01	PAL,REG	1	E48
93	77		23071B1-00		B1-01		1	E76
94	74		23309A1-00		A1-07		1	E94
95	75		23601A2-00		A2-05		1	E20
96	92		23817F1-00		F1-01		1	E58
97	93		23818F1-00		F1-01		1	E40
98	94		23819F1-00		F1-01		1	E77
99	95		23820F1-00		F1-01		1	E57
100	76		23964A9-00		A9-01		1	E18
101	96		9000024-01		EYELET,ROLLED	0.1210DX0.192	12	
102	101		9105740-55		WIRE(WRAP)	30AWG KYNAR UL14	A/R	
103	102		9107688-00		WIRE(WRAP)	24AWG KYNAR UL13	A/R	
104	104		1912815-00		LS30 NAND GATE-SINGLE	8IN	1	E7

D I G I T A L	TITLE	SECTION A OF A	SIZE	CODE	DOCUMENT NUMBER	REV
	INTERPROCESSOR LINK INTERFACE		K	PL	L0100-0-DSP	C



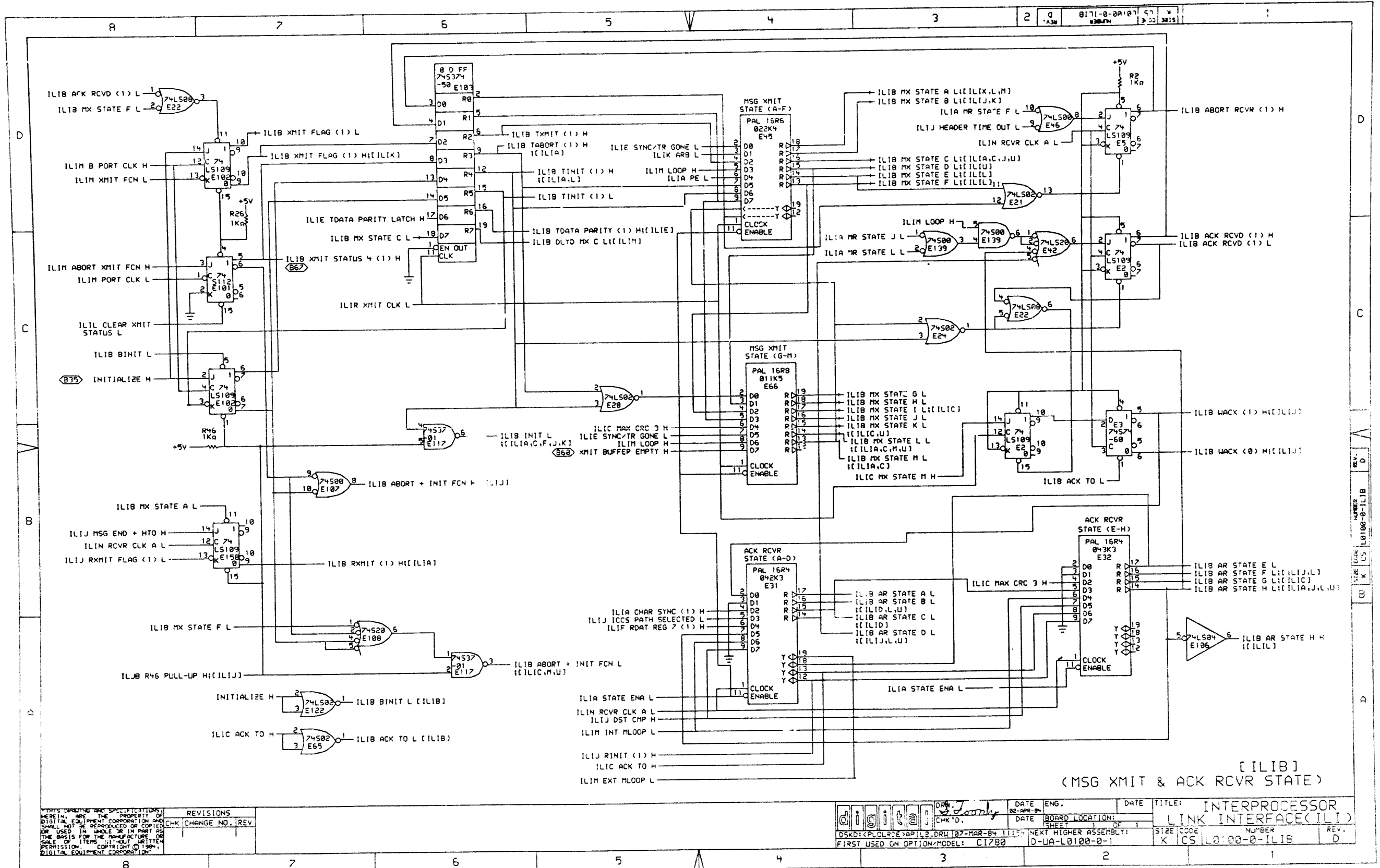
[ILIA]
(MSG RCVR & ACK XMIT STATE)

THIS DRAWING AND SPECIFICATIONS ARE THE PROPERTY OF DIGITAL EQUIPMENT CORPORATION AND SHALL NOT BE REPRODUCED OR COPIED IN ANY MANNER OR USED IN WHOLE OR IN PART AS THE BASIS FOR THE MANUFACTURE OR SALE OF ITEMS WITHOUT WRITTEN PERMISSION. COPYRIGHT © 1987, DIGITAL EQUIPMENT CORPORATION.

REV. NO.	DATE	DESCRIPTION
1	01-11-83	INITIAL DESIGN
2	02-11-83	REVISION

CHK	CHANGE NO.	REV.

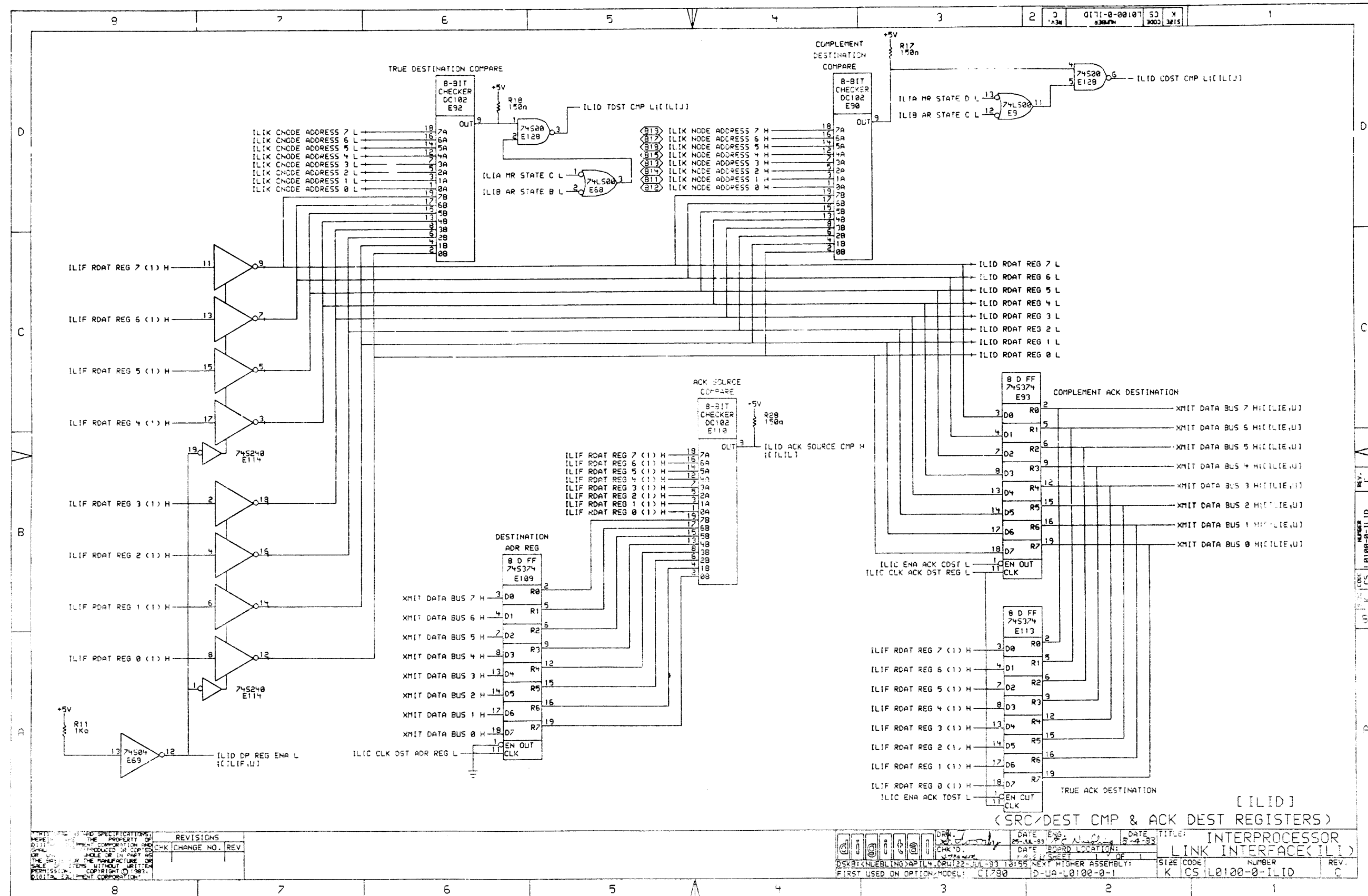
	DATE ENG.	DATE	TITLE: INTERPROCESSOR LINK INTERFACE (ILI)
	DATE BOARD LAYOUT	DATE	SIZE CODE NUMBER REV.
DSKB: <M>LEBLING>AP.L1.DRW122-JUL-93 10:54 NEXT HIGHER ASSEMBLY: FIRST USED ON OPTION/MODEL: C1780 D-LA-L0100-2-1	SHEET 1 OF 1 BOARD LOCATION:	K CS L0100-0-ILIA	C



[ILIB]
 (MSG XMIT & ACK RCVR STATE)

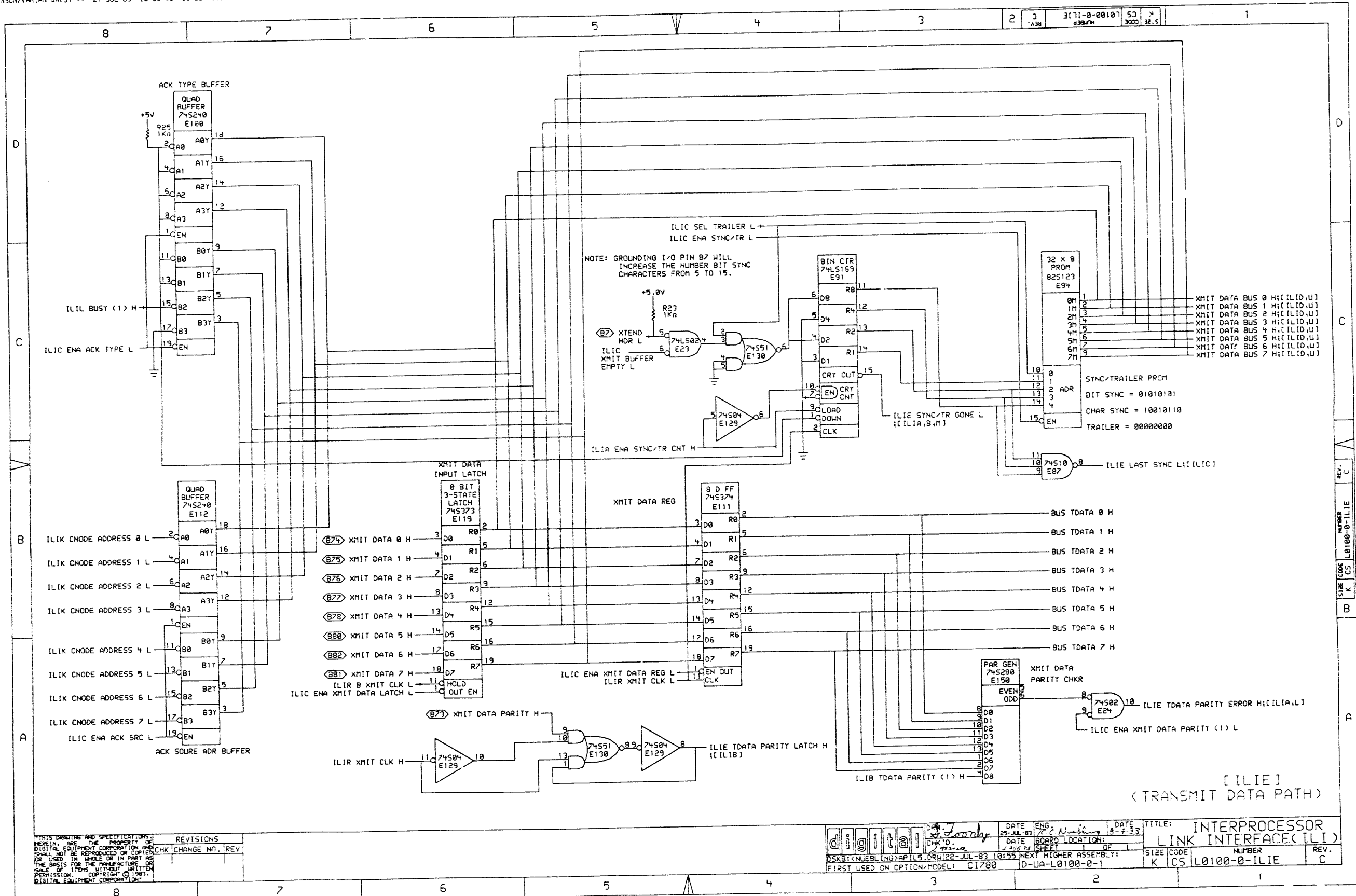
REV.	DATE	BY	REVISIONS
1	02-APR-84	J. J. J.	INITIAL DESIGN
2	03-APR-84	J. J. J.	REVISIONS

	DATE: 02-APR-84 DRAWN: J. J. J. CHECKED: J. J. J.	ENG. DATE: 02-APR-84 BOARD LOCATION: 100-0-1 SHEET: 100-0-1	TITLE: INTERPROCESSOR LINK INTERFACE (ILIB)
DSKD:\P\LO\ICE\AP\12.DRW [02-APR-84 11:54]	NEXT HIGHER ASSEMBLY: D-UA-L0100-0-1	SIZE CODE: K	NUMBER: CS L0100-0-1
FIRST USED ON OPTION/MODEL: C1780	REV. D		



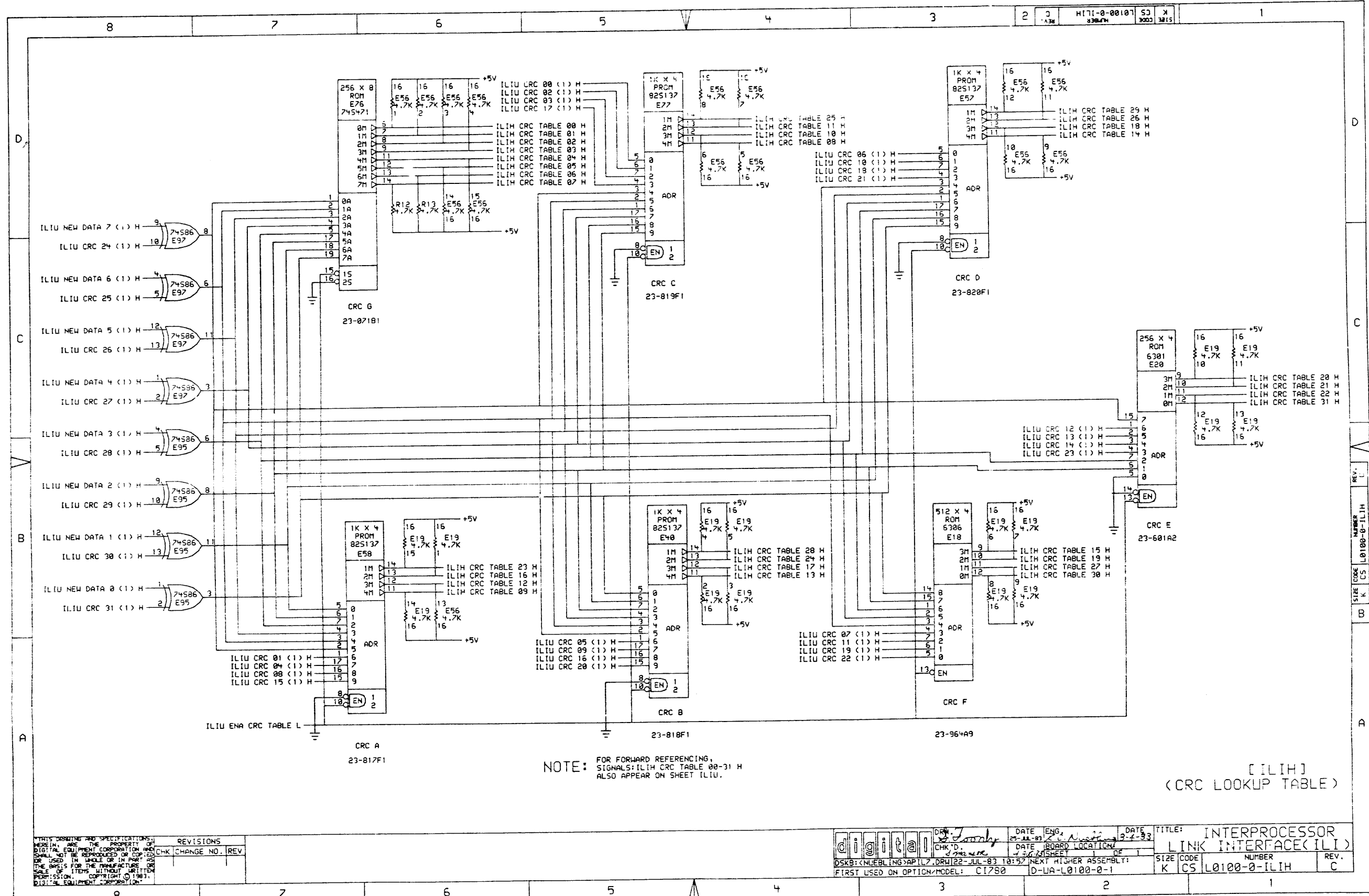
REVISIONS	CHK	CHANGE NO.	REV

DATE: 25-JUL-83	ENG: [Signature]	DATE: 9-4-83	TITLE: INTERPROCESSOR LINK INTERFACE (ILI)
CHK'D: [Signature]	DATE: 10-1-83	DATE: 10-1-83	SIZE: K CS
DSK: BKLEBLING\APL4.DWG	10:55	NEXT HIGHER ASSEMBLY: 10-1-83	NUMBER: L0100-0-ILID
FIRST USED ON OPTION MODEL: 01790	10-1-83		REV: C



REV.	CHG.	NO.	REV.

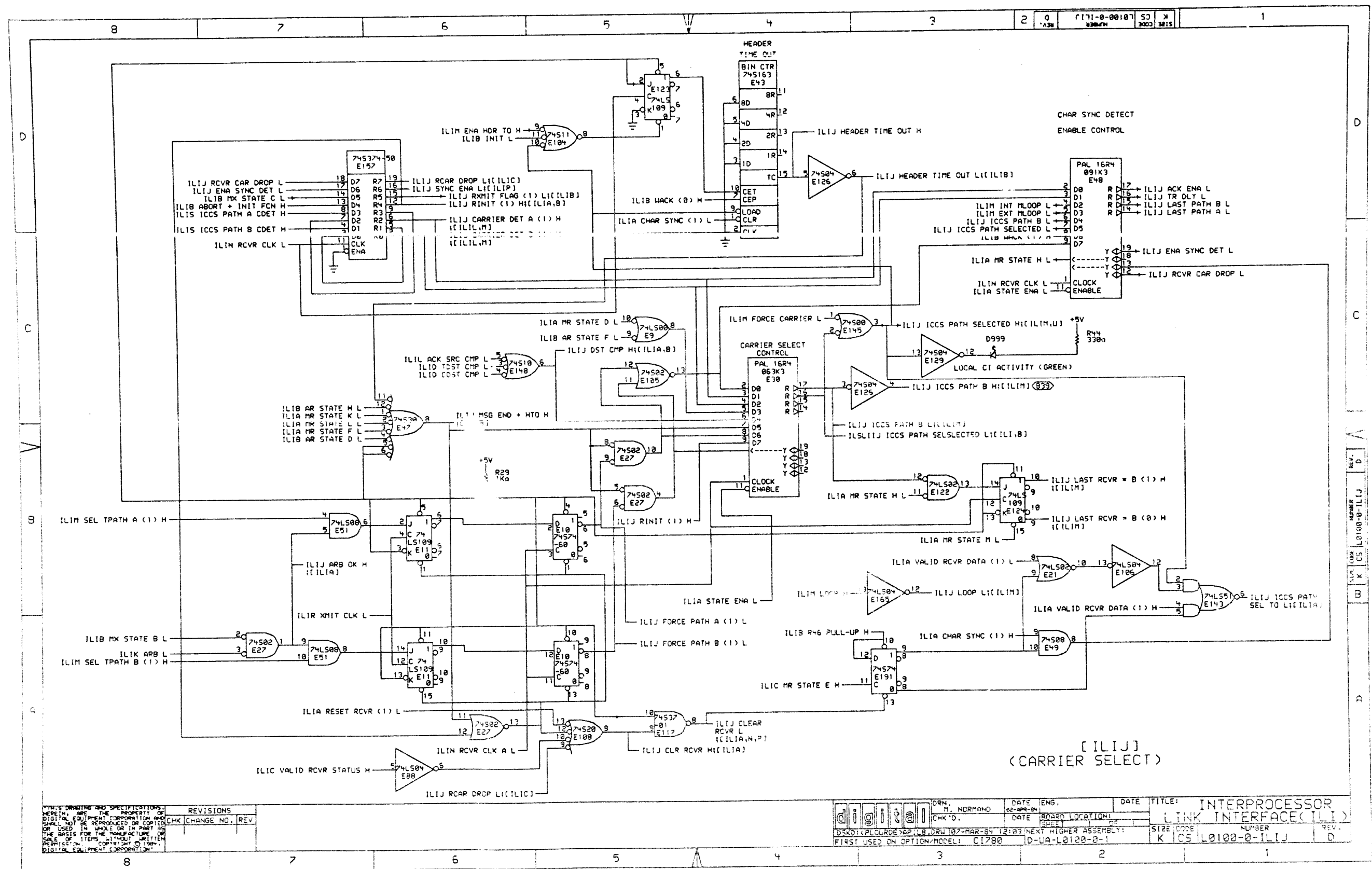
DATE: 25-JUL-83	ENG: J.C. Nuebling	DATE: 9-7-83	TITLE: INTERPROCESSOR LINK INTERFACE (ILI)
CHK'D: J. Nuebling	DATE: 1-24-84	SHEET: 1 OF 1	SIZE: K CS
DSKB: (NUEBLING)AP1.5.DPL.1	DATE: 22-JUL-83 10:55	NEXT HIGHER ASSEMBLY: D-UA-L0100-0-1	NUMBER: L0100-0-ILIE
FIRST USED ON OPTION/MODEL: C1780			REV. C



THIS DRAWING AND SPECIFICATIONS ARE THE PROPERTY OF DIGITAL EQUIPMENT CORPORATION AND SHALL NOT BE REPRODUCED OR COPIED IN WHOLE OR IN PART FOR THE BASIS FOR THE MANUFACTURE OR SALE OF ITEMS WITHOUT WRITTEN PERMISSION. COPYRIGHT © 1983, DIGITAL EQUIPMENT CORPORATION.

REVISIONS	CHK	CHANGE NO.	REV

	DATE ENG	DATE	TITLE
	DATE BOARD LOCATION		INTERPROCESSOR LINK INTERFACE(ILI)
DSKB: (NUEBLING)APIL7.DRW	27-JUL-83 10:57	NEXT HIGHER ASSEMBLY:	SIZE CODE NUMBER REV.
FIRST USED ON OPTION/MODEL: C1780	D-UA-L0100-0-1		K CS L0100-0-ILIH C



[ILIJ]
(CARRIER SELECT)

THIS DRAWING AND SPECIFICATIONS ARE THE PROPERTY OF DIGITAL EQUIPMENT CORPORATION AND SHALL NOT BE REPRODUCED OR COPIED IN WHOLE OR IN PART AS THE BASIS FOR THE MANUFACTURE OR SALE OF ITEMS WITHOUT WRITTEN PERMISSION OF DIGITAL EQUIPMENT CORPORATION.

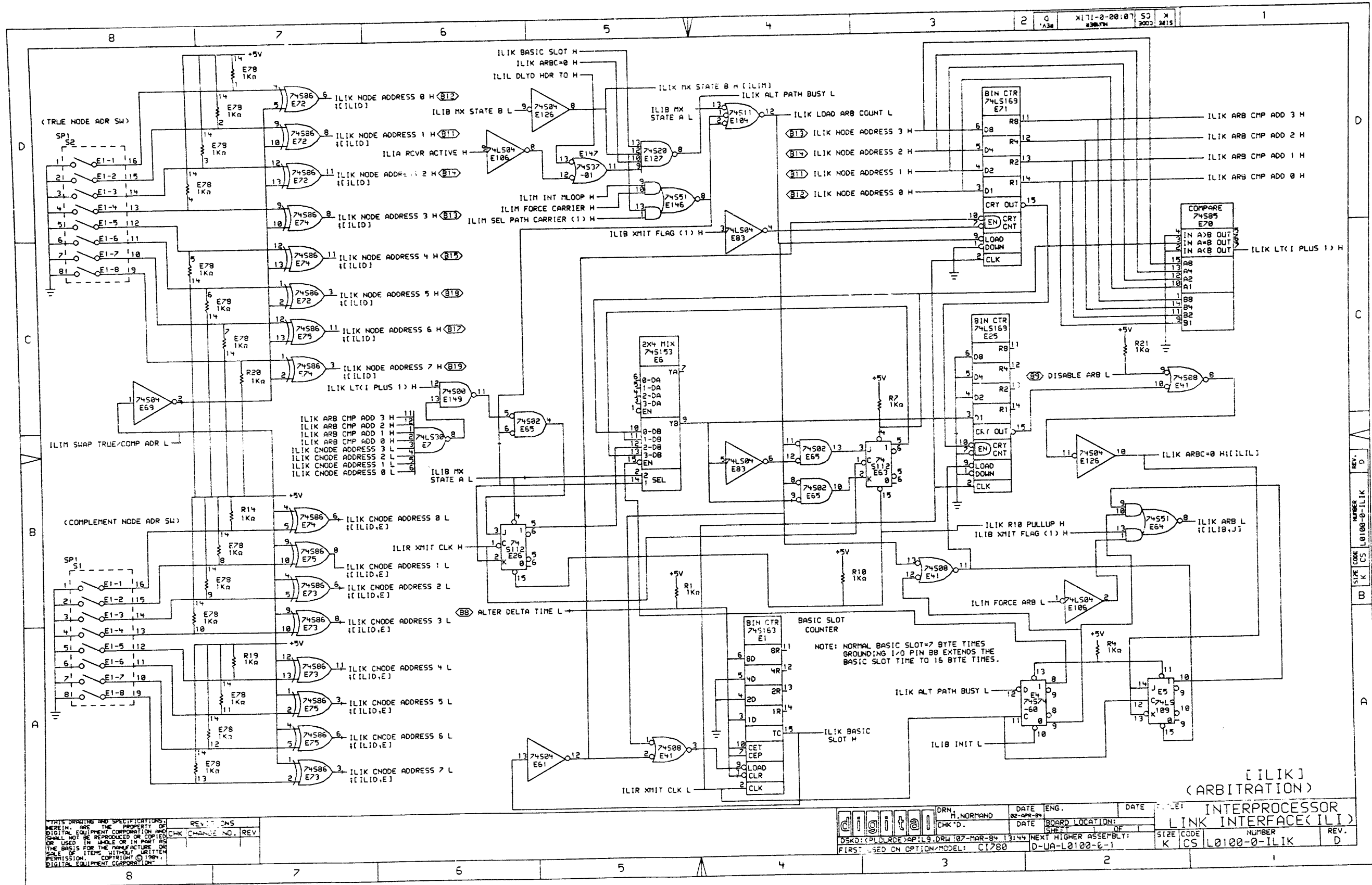
REV.	CHG. NO.	REV.

DRN.	DATE	ENGR.	DATE	TITLE
M. NORMAND	02-28-84			INTERPROCESSOR LINK INTERFACE (ILI)
CHK'D.				

DSKID	PL	CL	CD	DRW	DATE	EXT	REV.
					02-MAR-84	12:03	

FIRST USED ON OPTION/MODEL: C1780 D-UA-L0100-0-1

REV. D
NUMBER L0100-0-ILIJ
K CS L0100-0-ILIJ

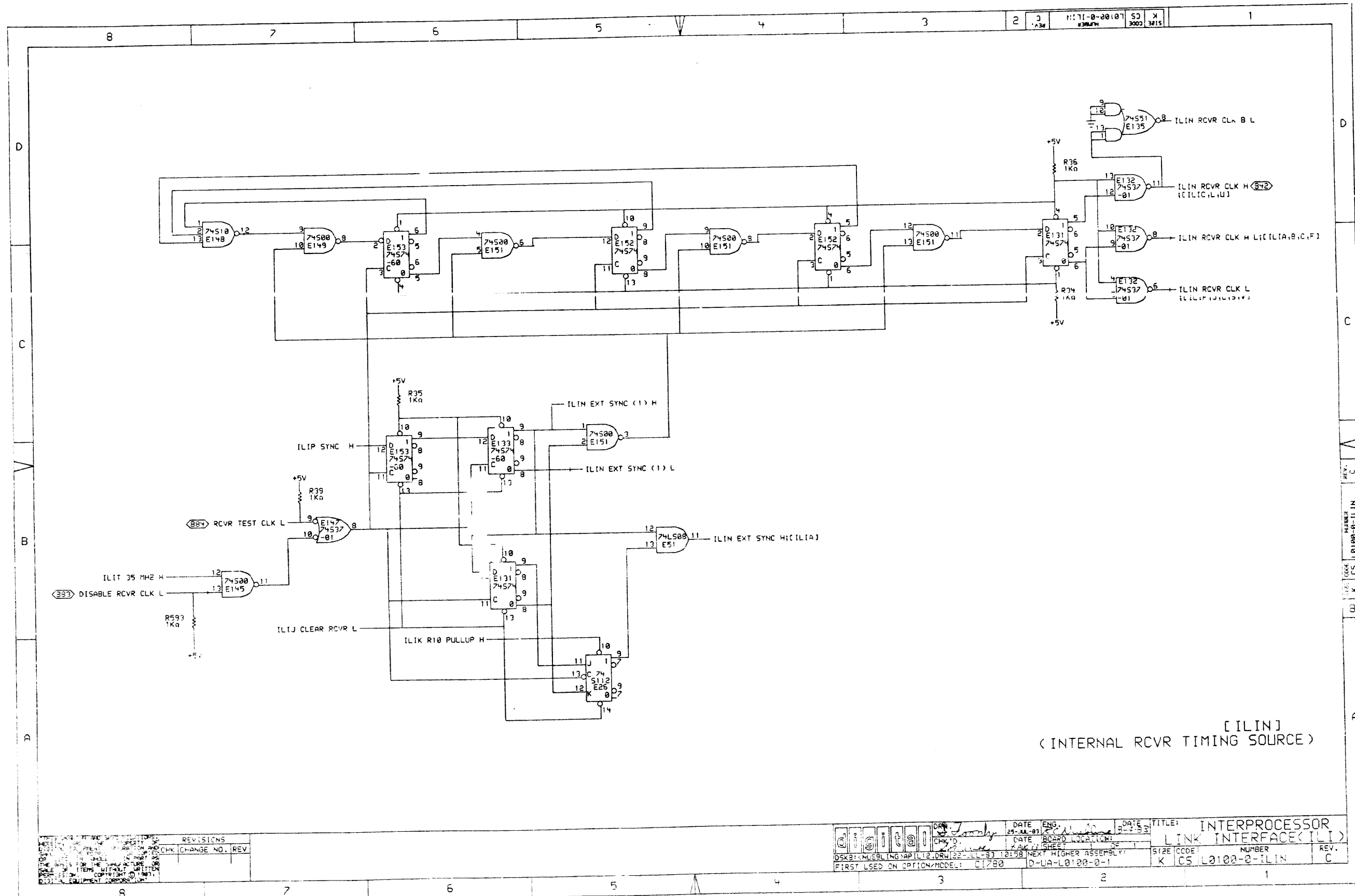


[ILIK]
(ARBITRATION)

REV. NO.	DESCRIPTION
1	INITIAL ISSUE

DRN. H. NORMAND	DATE 02-APR-84	ENG.	DATE	REV. D
CHK'D.	DATE	BOARD LOCATION:	SHEET 1 OF 1	SIZE CODE K CS
DSKD: (PLOURDE)AP119.DRW 107-MAR-84 13:44	NEXT HIGHER ASSEMBLY:	NUMBER		
FIRST USED ON OPTION/MODEL: C1280	D-UA-L0100-0-1	REV. D		

REV. D
NUMBER L0100-0-ILIK
SIZE CODE K CS

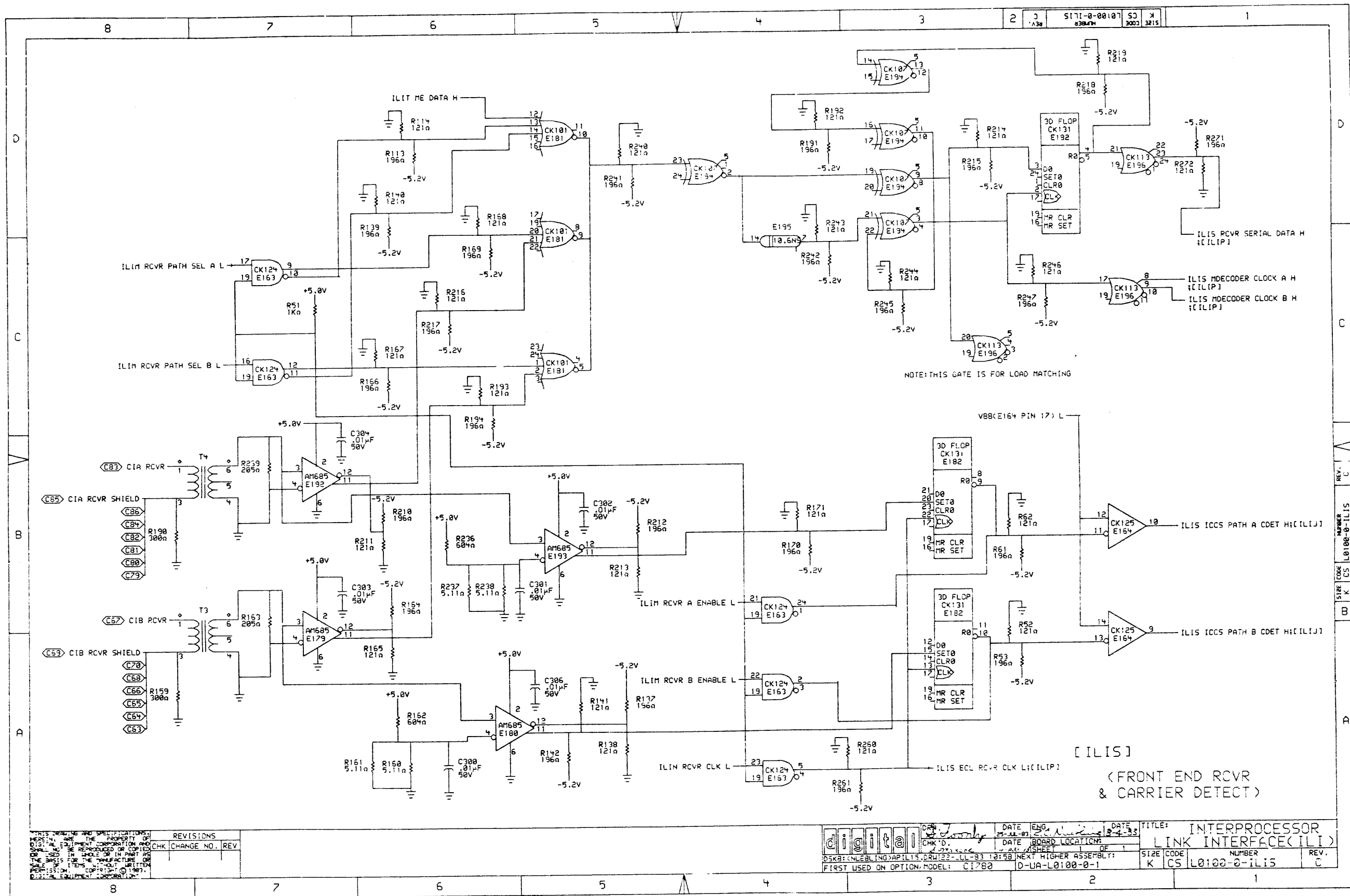


[ILIN]
(INTERNAL RCVR TIMING SOURCE)

REV. C
NUMBER L0100-0-ILIN
CS K
CS L0100-0-ILIN
A

REV.	CHG.	NO.	REV.

DATE: 25-11-83	ENG: J. J. J.	DATE: 2-2-83	TITLE: INTERPROCESSOR LINK INTERFACE (ILI)
DATE: 2-2-83	BOARD LOCATION: 4A/11	DATE: 2-2-83	SIZE: CODE: K CS L0100-0-ILIN
DATE: 2-2-83	DATE: 2-2-83	DATE: 2-2-83	NUMBER: 1
DATE: 2-2-83	DATE: 2-2-83	DATE: 2-2-83	REV. C

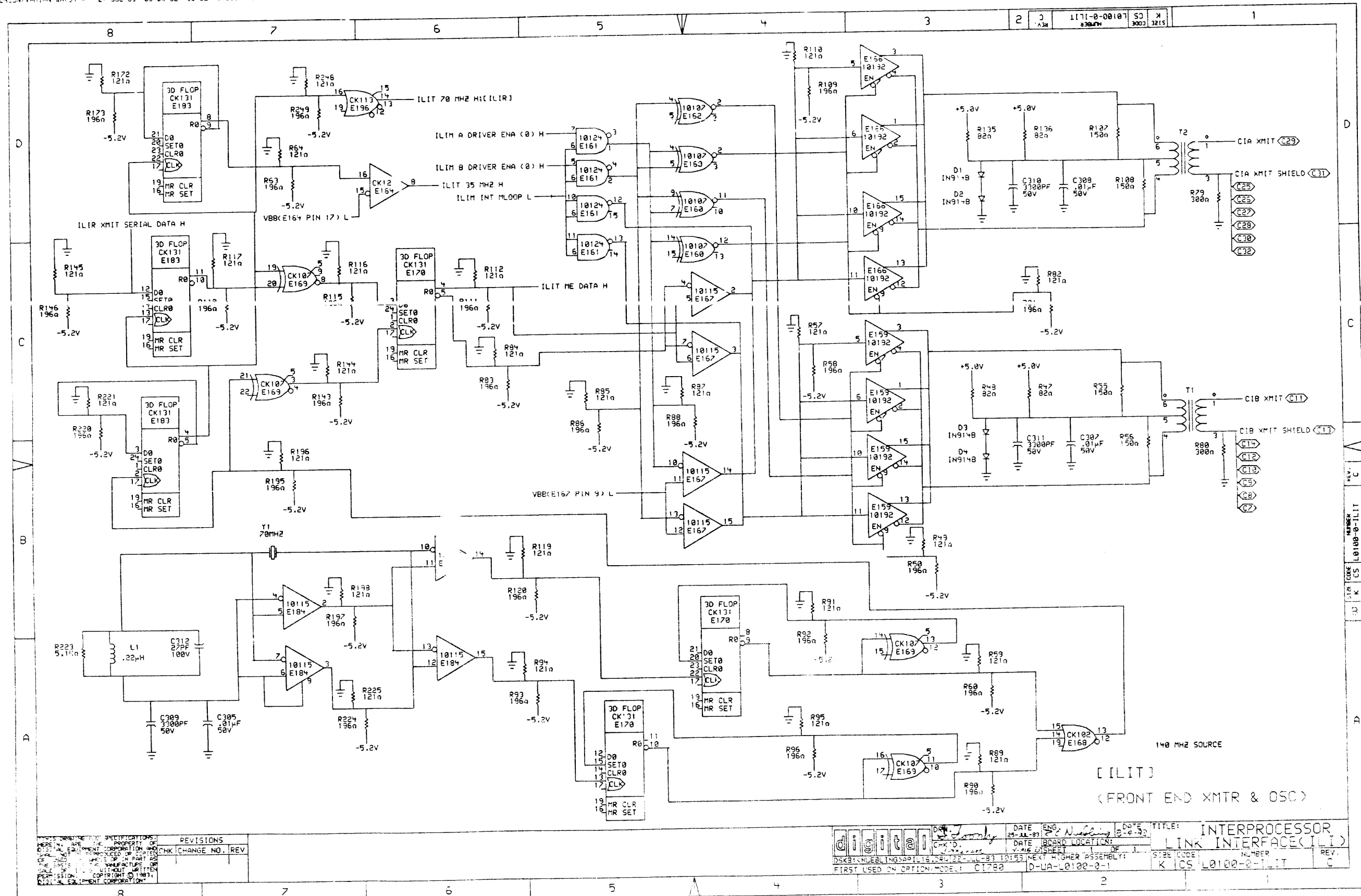


THIS DRAWING AND SPECIFICATIONS ARE THE PROPERTY OF DIGITAL EQUIPMENT CORPORATION AND SHALL NOT BE REPRODUCED OR COPIED IN WHOLE OR IN PART OR BY ANY MEANS WITHOUT THE WRITTEN PERMISSION OF DIGITAL EQUIPMENT CORPORATION.

CHK	CHANGE NO.	REV

REV.	DATE	BY	CHK'D.

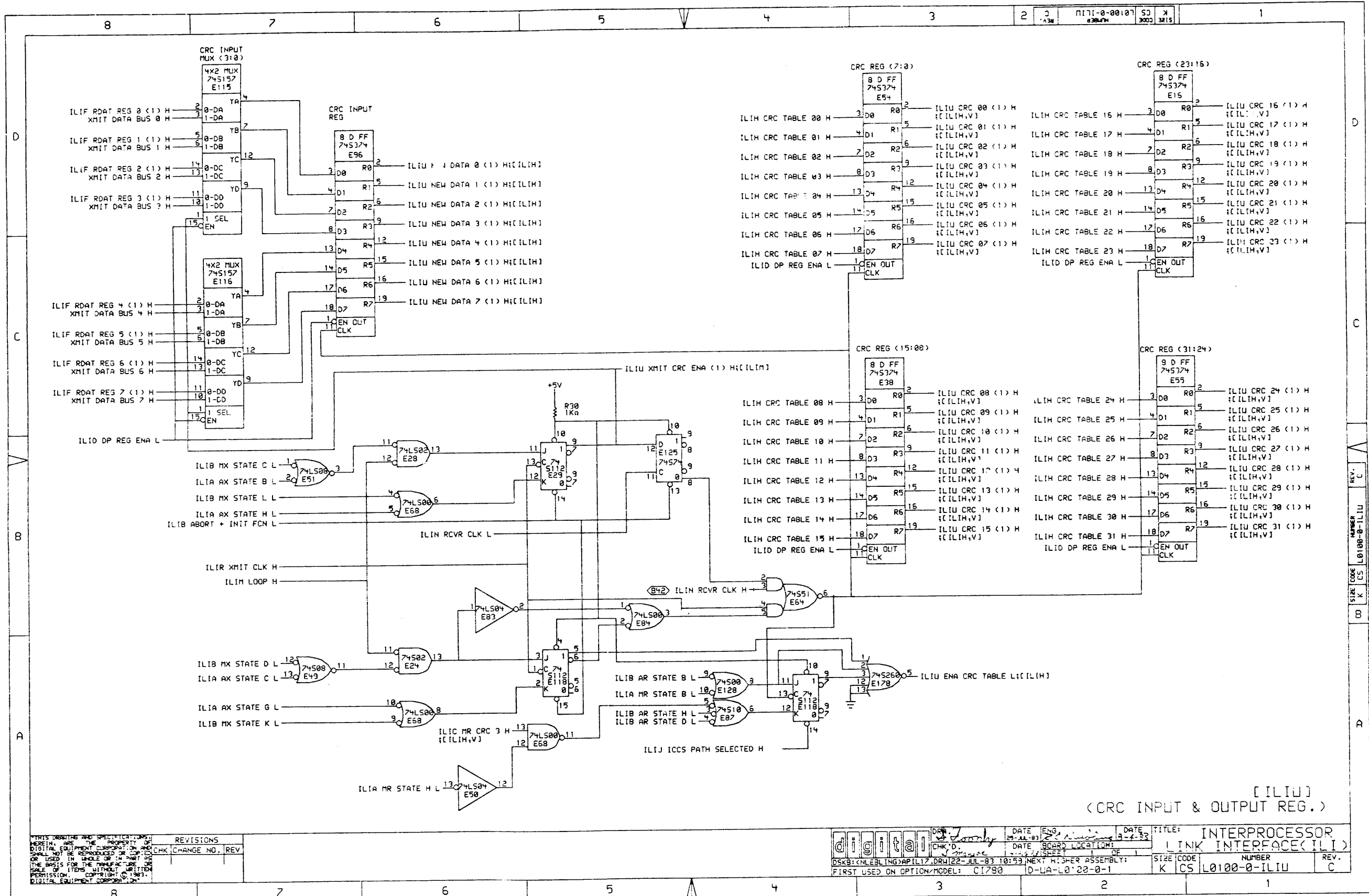
DATE	ENG.	DATE	TITLE:
25-11-83	J. J. ...	2-4-83	INTERPROCESSOR LINK INTERFACE (ILI)
DATE	BOARD LOCATION	OF	SIZE CODE
DATE	DATE	DATE	NUMBER
DATE	DATE	DATE	REV.



[ILIT]
 (FRONT END XMTR & OSC)

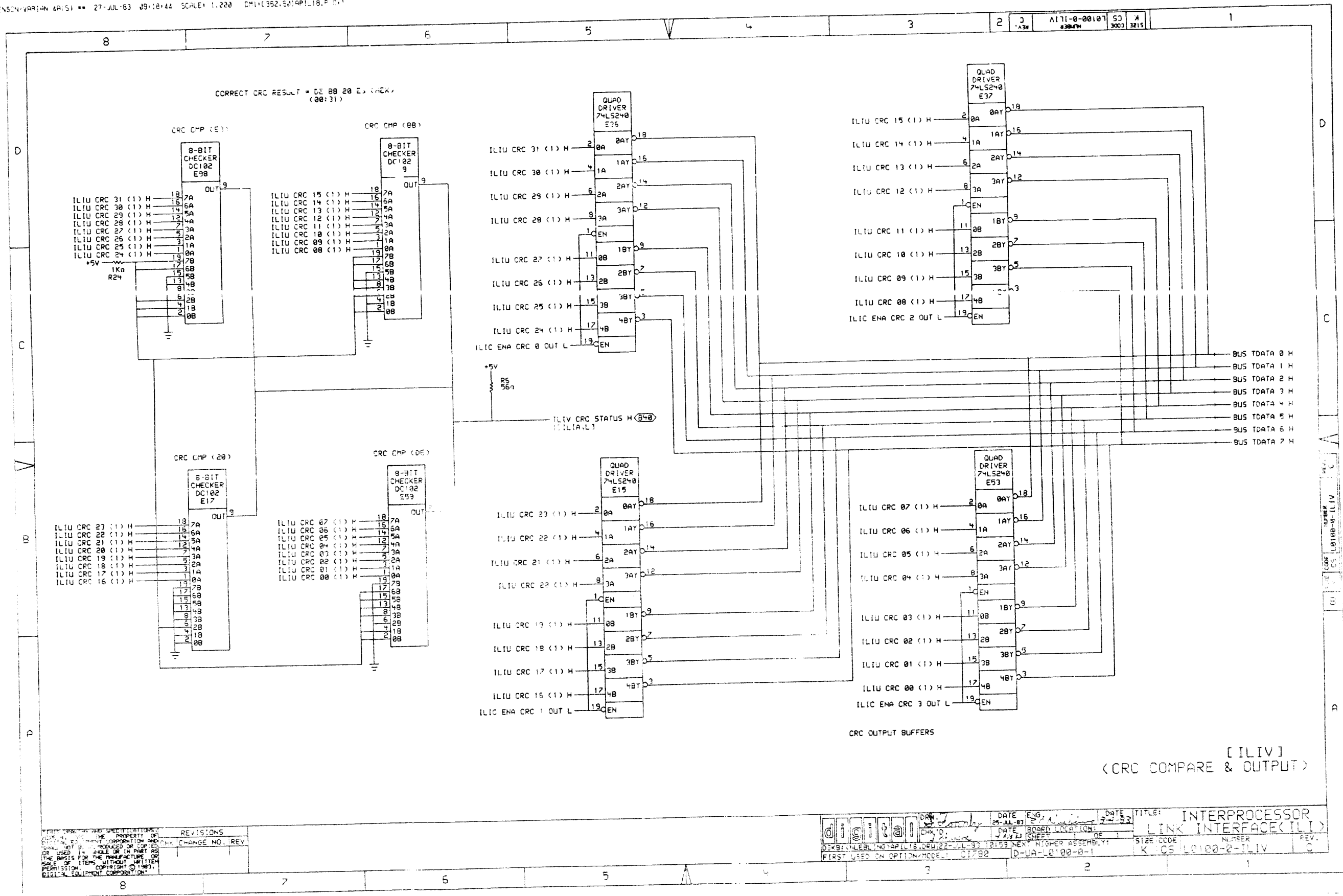
REV	CHG	NO.	REV

DATE: 27-11-83
 ENG: [Signature]
 TITLE: INTERPROCESSOR LINK INTERFACE (ILIT)
 BOARD LOCATION: [Blank]
 SIZE: CODE NUMBER
 K ICS L0100-B-1-ILIT
 FIRST USED ON OPTION MODEL: C1780 D-UA-L0100-B-1



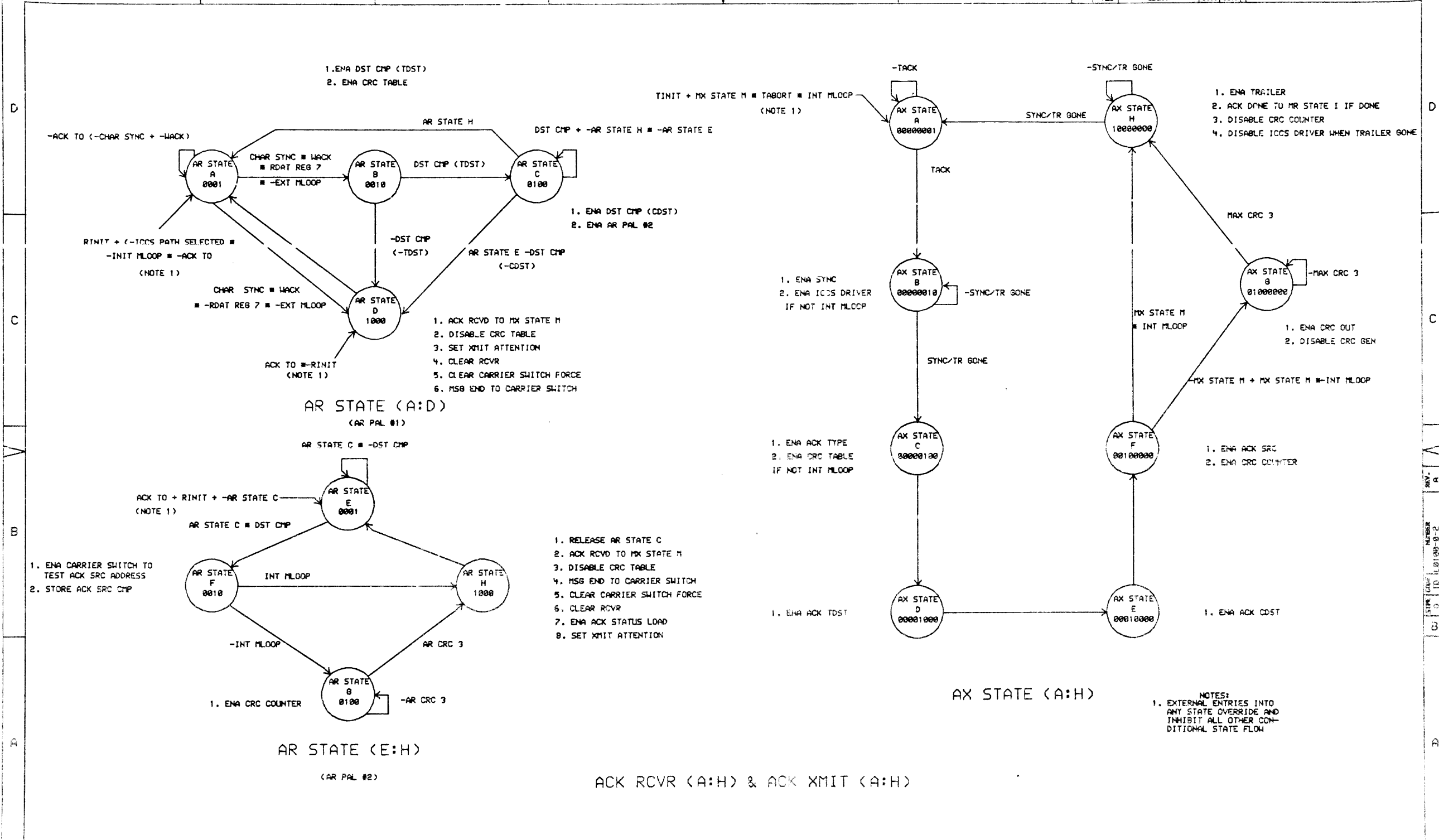
REV.	CHK	CHANGE NO.	REV.

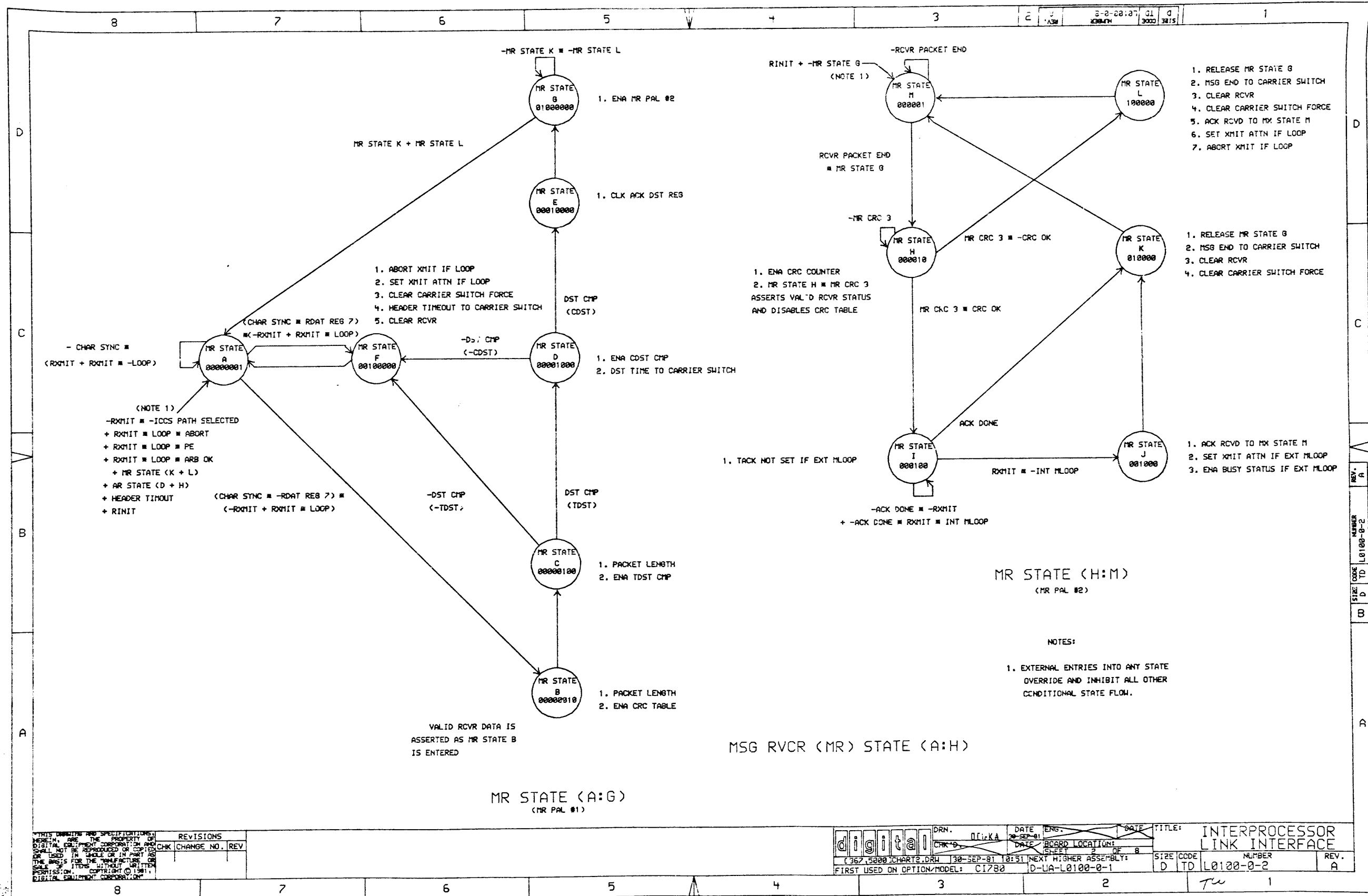
digital *Johny* DATE ENG. *13-7-83* TITLE: INTERPROCESSOR LINK INTERFACE (ILI)
 DATE BOARD LOCATION: *10-53* SHEET: *1* OF *1*
 DSKB: <NLEBLING>APIL17.DRAW22-JUL-83 10:53 NEXT NUMBER ASSEMBLY: *10-53* SIZE CODE NUMBER REV.
 FIRST USED ON OPTION/MODEL: *C1730* *D-UA-L0'20-0-1* *K CS L0100-0-ILIU C*



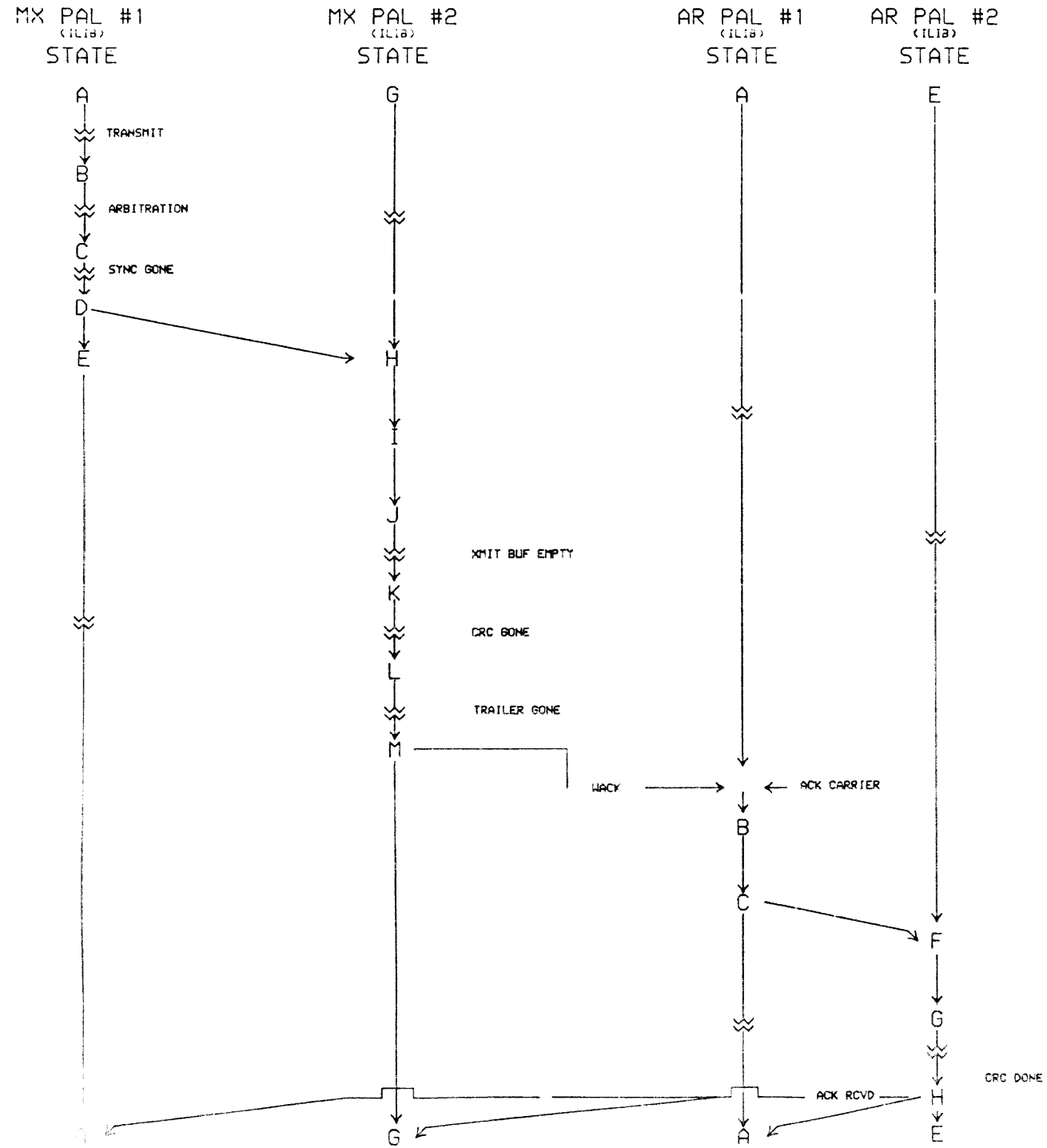
REV.	DATE	DESCRIPTION
1	27-JUL-83	INITIAL RELEASE

DATE: 27-JUL-83	ENG: [Signature]	DATE: 27-JUL-83	TITLE: INTERPROCESSOR LINK INTERFACE (ILIV)
DATE: 27-JUL-83	BOARD LOCATION: [Blank]	DATE: 27-JUL-83	SIZE CODE: K CS L0100-2-ILIV
DATE: 27-JUL-83	SHEET: 1 OF 1	DATE: 27-JUL-83	NUMBER: 05 L0100-2-ILIV
DATE: 27-JUL-83	REV: C	DATE: 27-JUL-83	REV: C

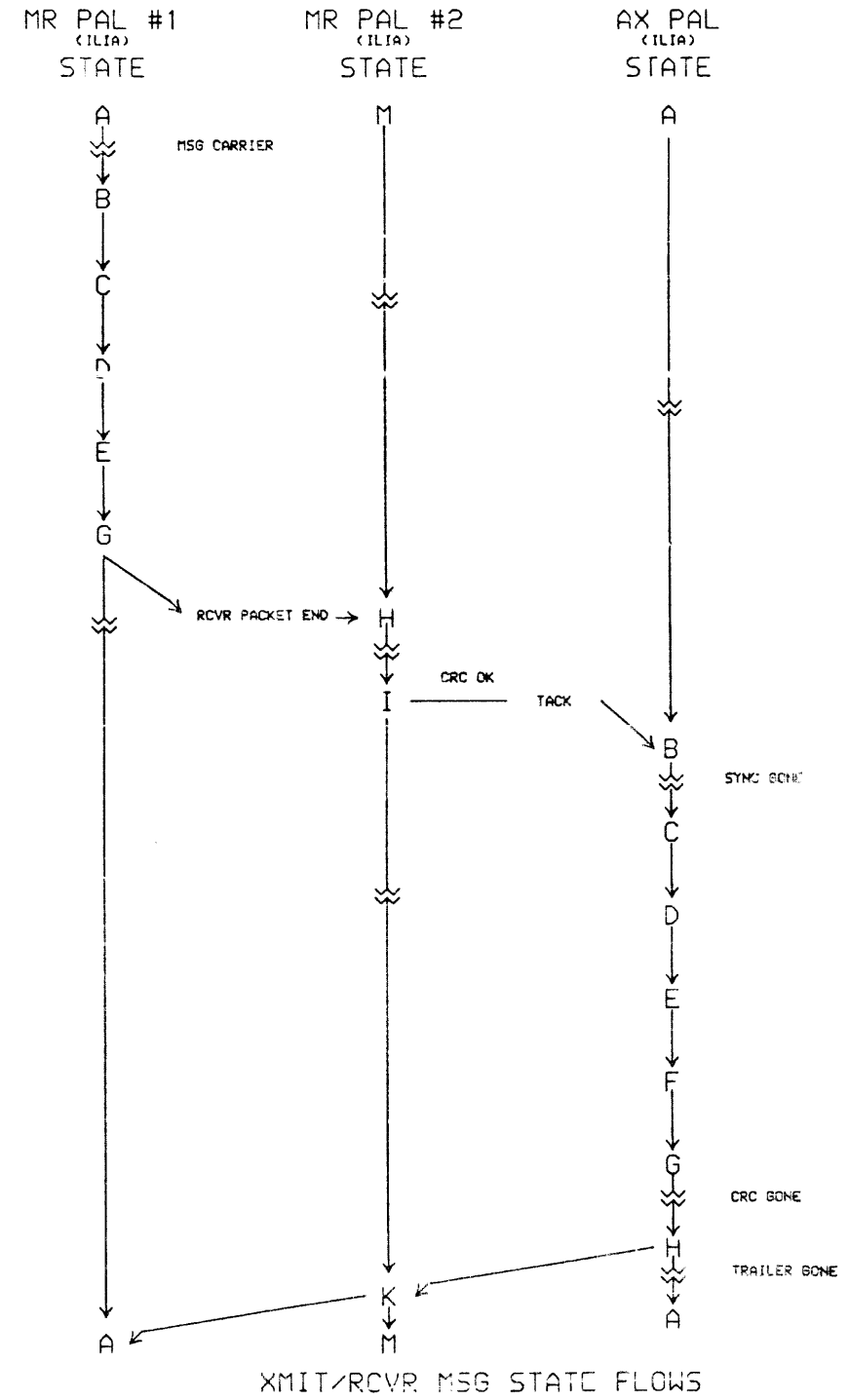




NORMAL MESSAGE TRANSMISSION STATE FLOW



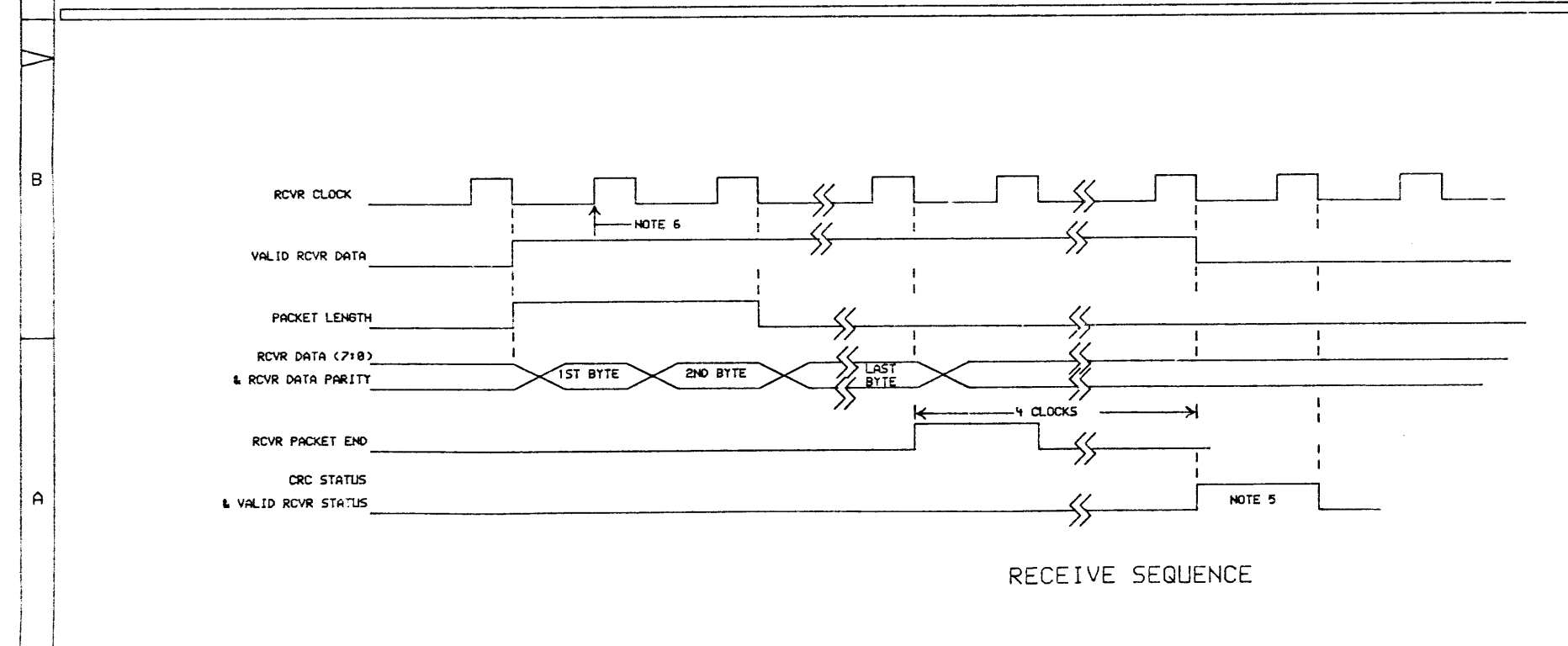
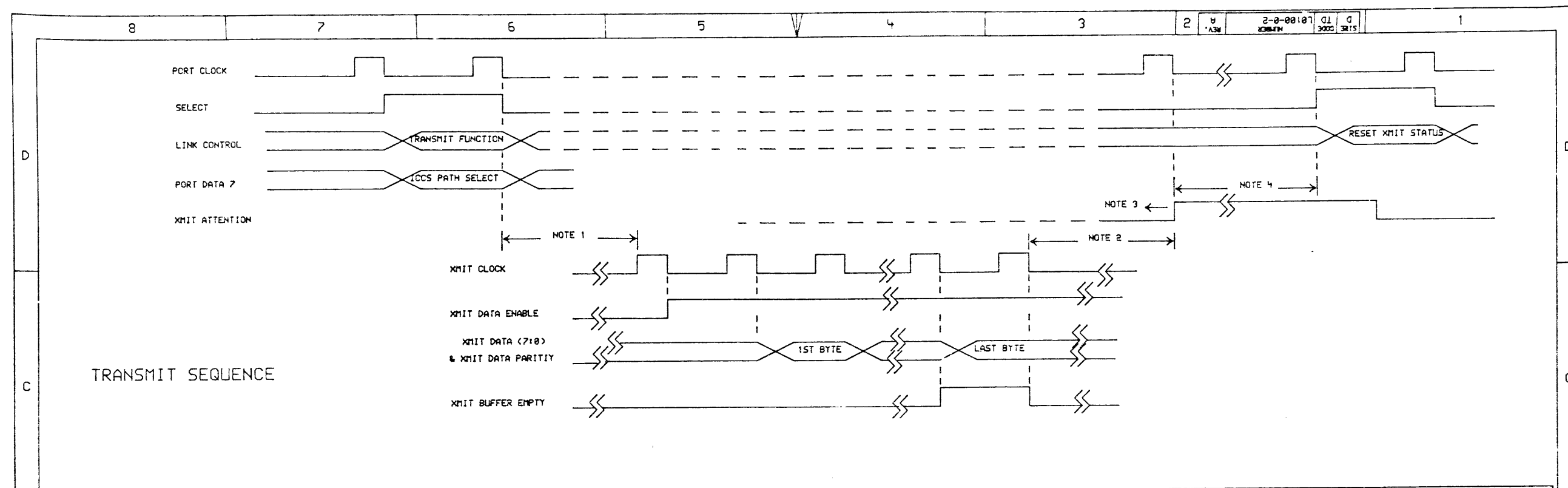
NORMAL MESSAGE RECEPTION STATE FLOW



XMIT/RCVR MSG STATE FLOWS

REVISIONS	
CHK	CHANGE NO. REV

DRN.	DATE ENG.	DATE	TITLE
012KA	20-SEP-81		INTERPROCESSOR LINK INTERFACE
1367,3820,CHARTS.DRW	130-SEP-81 10:55		
FIRST USED ON OPTION/MODEL: C1780	D-UA-L0100-2-1	SIZE CODE	NUMBER
		D,TD	L0100-2-2
			REV. A



NOTES:

1. ARBITRATION OCCURS DURING THIS TIME.
2. LINK WAITS FOR A RESPONSE FROM THE DESTINATION NODE AND SETS UP XMIT STATUS DURING THIS TIME.
3. XMIT ATTENTION MAY OCCUR EARLIER AS A RESULT OF A XMIT DATA PARITY ERROR OR ABORT TRANSMISSION FCN.
4. THE PORT READS XMIT STATUS DURING THIS TIME.
5. CRC STATUS & RCVR PATH INDICATOR ARE VALID DURING THIS TIME.
6. RCVR BUFFERS FULL SIGNAL IS STROBED AT THIS TIME.

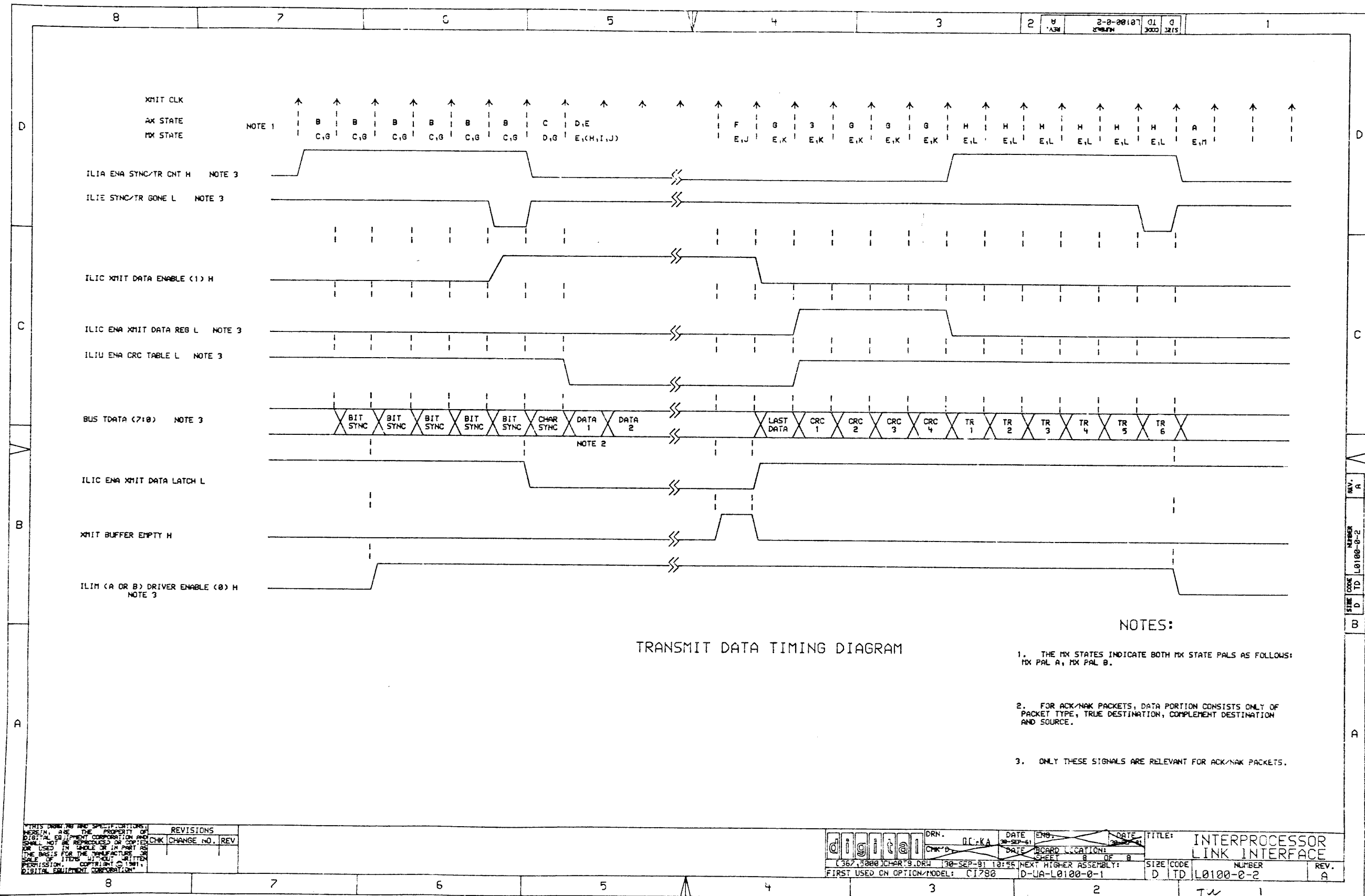
LINK/PORT PROCESSOR/TIMING

THIS DRAWING AND SPECIFICATIONS HEREIN ARE THE PROPERTY OF DIGITAL EQUIPMENT CORPORATION AND SHALL NOT BE REPRODUCED OR COPIED OR USED IN WHOLE OR IN PART AS THE BASIS FOR THE MANUFACTURE OR SALE OF ITEMS WITHOUT WRITTEN PERMISSION. COPYRIGHT © 1981, DIGITAL EQUIPMENT CORPORATION.

REVISTONS	
CHK	CHANGE NO. REV

digital	DRN.	DATE	ENG.	DATE	TITLE:
	PC:KA	28-SEP-81			INTERPROCESSOR LINK INTERFACE
	CHK'D	DATE	BOARD LOCATION:	SHEET	OF
		130-SEP-81 10:56		5	8
C367,5800 CHARIS.CRW			NEXT HIGHER ASSEMBLY:		SIZE CODE
FIRST USED ON OPTION/MODEL: C1780			D-UA-L0100-0-1		D TD L0100-0-2
					NUMBER
					1
					REV.
					A

REV. A
NUMBER L0100-0-2
SIZE CODE D TD
ED



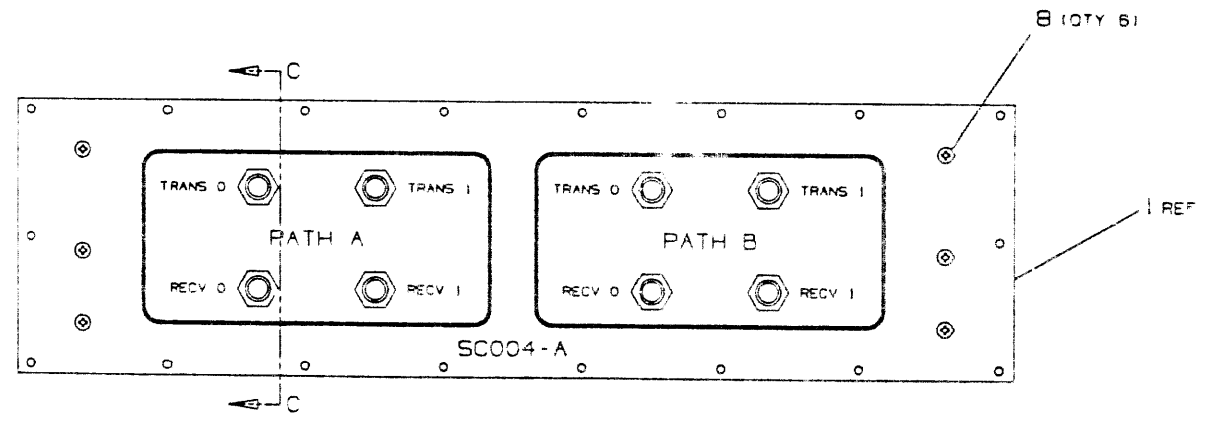
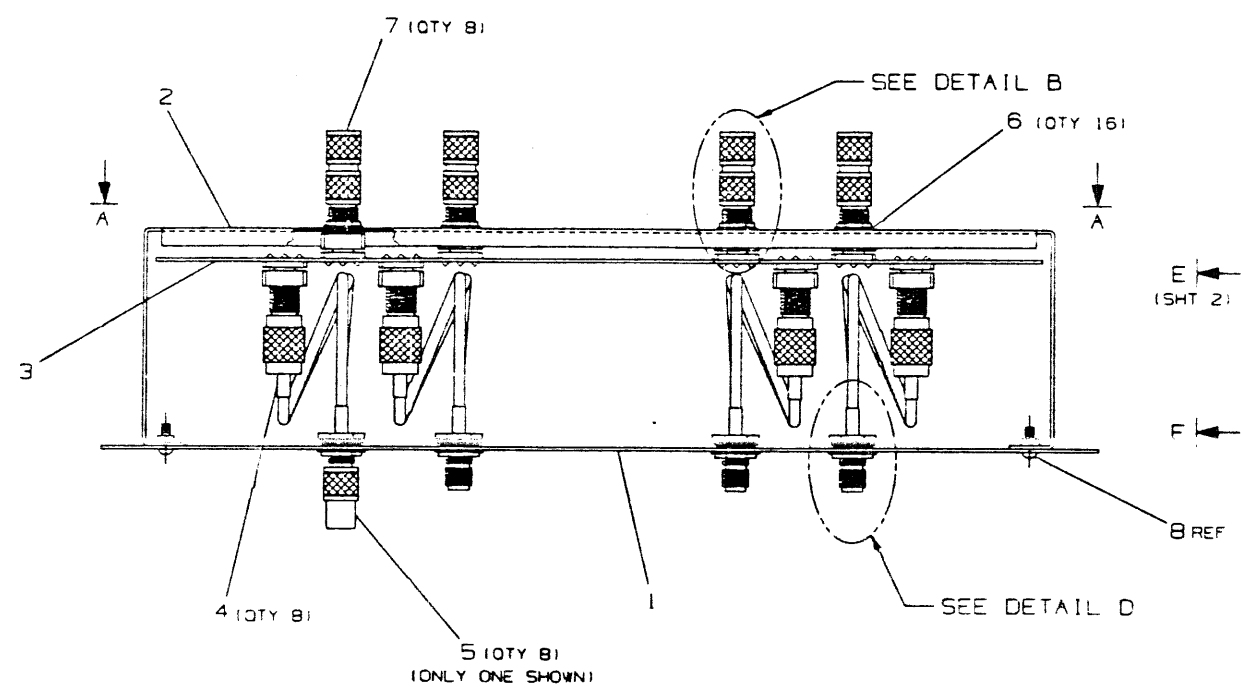
THIS DRAWING AND SPECIFICATIONS HEREIN ARE THE PROPERTY OF DIGITAL EQUIPMENT CORPORATION AND SHALL NOT BE REPRODUCED OR COPIED OR USED IN WHOLE OR IN PART AS THE BASIS FOR THE MANUFACTURE OR SALE OF ITEMS UNLESS WRITTEN PERMISSION IS OBTAINED FROM DIGITAL EQUIPMENT CORPORATION.

REV.	CHG.	NO.	REV.

digital	DRN.	DATE	ENG.	DATE	TITLE:
	CL:KA	20-SEP-81			INTERPROCESSOR LINK INTERFACE
	CHK'D	DATE	BOARD LOCATION:	SHEET	OF
		30-SEP-81 10:55		8	8
	FIRST USED ON OPTION/MODEL:	C1780	NEXT HIGHER ASSEMBLY:	D-JA-L0100-0-1	
	SIZE	CODE	NUMBER	REV.	
	D	TD	L0100-0-2	A	

THIS DRAWING AND SPECIFICATIONS CONTAIN MULTIPLE AND COMPLEX DIMENSIONS. THE USER SHALL BE RESPONSIBLE FOR VERIFYING THE DIMENSIONS OF ALL PARTS AND ASSEMBLIES. THE USER SHALL BE RESPONSIBLE FOR VERIFYING THE DIMENSIONS OF ALL PARTS AND ASSEMBLIES. THE USER SHALL BE RESPONSIBLE FOR VERIFYING THE DIMENSIONS OF ALL PARTS AND ASSEMBLIES.

LEGEND		
PART NO	REV	VARIATION
7022193-0	A1	AS SHOWN



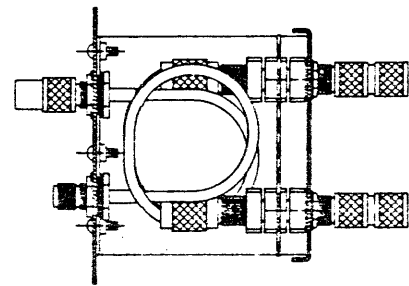
LAYER #4 = FORMAT SHT 2
 LAYER #3 = WORK SHT 2
 LAYER #2 = FORMAT LAYER
 LAYER #1 = WORK LAYER

PLOT AT: 1.00
 CAUTION: OFF SHEET PARTS LIST EXISTS
 SEE K-PL-7022193-0-DBP
 (TWO)

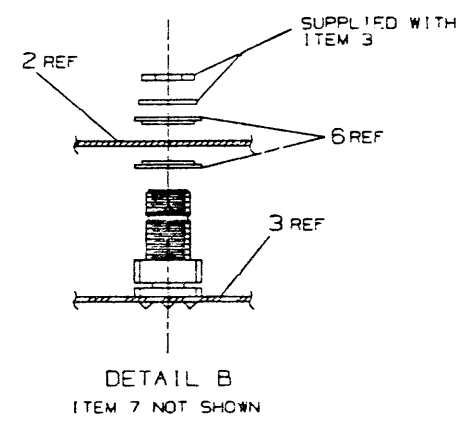
INDEX NUMBER	QUANTITY	VARIATION	DESCRIPTION	DRAWING NO.	PART NO.
1	1		STAR COUPLER ASSY, 14NCDE		
2	1		STAR COUPLER ASSY, 14NCDE		
3	1		STAR COUPLER ASSY, 14NCDE		
4	1		STAR COUPLER ASSY, 14NCDE		
5	1		STAR COUPLER ASSY, 14NCDE		
6	1		STAR COUPLER ASSY, 14NCDE		
7	1		STAR COUPLER ASSY, 14NCDE		
8	1		STAR COUPLER ASSY, 14NCDE		
9	1		STAR COUPLER ASSY, 14NCDE		
10	1		STAR COUPLER ASSY, 14NCDE		
11	1		STAR COUPLER ASSY, 14NCDE		
12	1		STAR COUPLER ASSY, 14NCDE		
13	1		STAR COUPLER ASSY, 14NCDE		
14	1		STAR COUPLER ASSY, 14NCDE		
15	1		STAR COUPLER ASSY, 14NCDE		
16	1		STAR COUPLER ASSY, 14NCDE		
17	1		STAR COUPLER ASSY, 14NCDE		
18	1		STAR COUPLER ASSY, 14NCDE		
19	1		STAR COUPLER ASSY, 14NCDE		
20	1		STAR COUPLER ASSY, 14NCDE		
21	1		STAR COUPLER ASSY, 14NCDE		
22	1		STAR COUPLER ASSY, 14NCDE		
23	1		STAR COUPLER ASSY, 14NCDE		
24	1		STAR COUPLER ASSY, 14NCDE		
25	1		STAR COUPLER ASSY, 14NCDE		
26	1		STAR COUPLER ASSY, 14NCDE		
27	1		STAR COUPLER ASSY, 14NCDE		
28	1		STAR COUPLER ASSY, 14NCDE		
29	1		STAR COUPLER ASSY, 14NCDE		
30	1		STAR COUPLER ASSY, 14NCDE		
31	1		STAR COUPLER ASSY, 14NCDE		
32	1		STAR COUPLER ASSY, 14NCDE		
33	1		STAR COUPLER ASSY, 14NCDE		
34	1		STAR COUPLER ASSY, 14NCDE		
35	1		STAR COUPLER ASSY, 14NCDE		
36	1		STAR COUPLER ASSY, 14NCDE		
37	1		STAR COUPLER ASSY, 14NCDE		
38	1		STAR COUPLER ASSY, 14NCDE		
39	1		STAR COUPLER ASSY, 14NCDE		
40	1		STAR COUPLER ASSY, 14NCDE		
41	1		STAR COUPLER ASSY, 14NCDE		
42	1		STAR COUPLER ASSY, 14NCDE		
43	1		STAR COUPLER ASSY, 14NCDE		
44	1		STAR COUPLER ASSY, 14NCDE		
45	1		STAR COUPLER ASSY, 14NCDE		
46	1		STAR COUPLER ASSY, 14NCDE		
47	1		STAR COUPLER ASSY, 14NCDE		
48	1		STAR COUPLER ASSY, 14NCDE		
49	1		STAR COUPLER ASSY, 14NCDE		
50	1		STAR COUPLER ASSY, 14NCDE		
51	1		STAR COUPLER ASSY, 14NCDE		
52	1		STAR COUPLER ASSY, 14NCDE		
53	1		STAR COUPLER ASSY, 14NCDE		
54	1		STAR COUPLER ASSY, 14NCDE		
55	1		STAR COUPLER ASSY, 14NCDE		
56	1		STAR COUPLER ASSY, 14NCDE		
57	1		STAR COUPLER ASSY, 14NCDE		
58	1		STAR COUPLER ASSY, 14NCDE		
59	1		STAR COUPLER ASSY, 14NCDE		
60	1		STAR COUPLER ASSY, 14NCDE		
61	1		STAR COUPLER ASSY, 14NCDE		
62	1		STAR COUPLER ASSY, 14NCDE		
63	1		STAR COUPLER ASSY, 14NCDE		
64	1		STAR COUPLER ASSY, 14NCDE		
65	1		STAR COUPLER ASSY, 14NCDE		
66	1		STAR COUPLER ASSY, 14NCDE		
67	1		STAR COUPLER ASSY, 14NCDE		
68	1		STAR COUPLER ASSY, 14NCDE		
69	1		STAR COUPLER ASSY, 14NCDE		
70	1		STAR COUPLER ASSY, 14NCDE		
71	1		STAR COUPLER ASSY, 14NCDE		
72	1		STAR COUPLER ASSY, 14NCDE		
73	1		STAR COUPLER ASSY, 14NCDE		
74	1		STAR COUPLER ASSY, 14NCDE		
75	1		STAR COUPLER ASSY, 14NCDE		
76	1		STAR COUPLER ASSY, 14NCDE		
77	1		STAR COUPLER ASSY, 14NCDE		
78	1		STAR COUPLER ASSY, 14NCDE		
79	1		STAR COUPLER ASSY, 14NCDE		
80	1		STAR COUPLER ASSY, 14NCDE		
81	1		STAR COUPLER ASSY, 14NCDE		
82	1		STAR COUPLER ASSY, 14NCDE		
83	1		STAR COUPLER ASSY, 14NCDE		
84	1		STAR COUPLER ASSY, 14NCDE		
85	1		STAR COUPLER ASSY, 14NCDE		
86	1		STAR COUPLER ASSY, 14NCDE		
87	1		STAR COUPLER ASSY, 14NCDE		
88	1		STAR COUPLER ASSY, 14NCDE		
89	1		STAR COUPLER ASSY, 14NCDE		
90	1		STAR COUPLER ASSY, 14NCDE		
91	1		STAR COUPLER ASSY, 14NCDE		
92	1		STAR COUPLER ASSY, 14NCDE		
93	1		STAR COUPLER ASSY, 14NCDE		
94	1		STAR COUPLER ASSY, 14NCDE		
95	1		STAR COUPLER ASSY, 14NCDE		
96	1		STAR COUPLER ASSY, 14NCDE		
97	1		STAR COUPLER ASSY, 14NCDE		
98	1		STAR COUPLER ASSY, 14NCDE		
99	1		STAR COUPLER ASSY, 14NCDE		
100	1		STAR COUPLER ASSY, 14NCDE		

REVISIONS
 1
 2
 3
 4
 5
 6
 7
 8
 9
 10

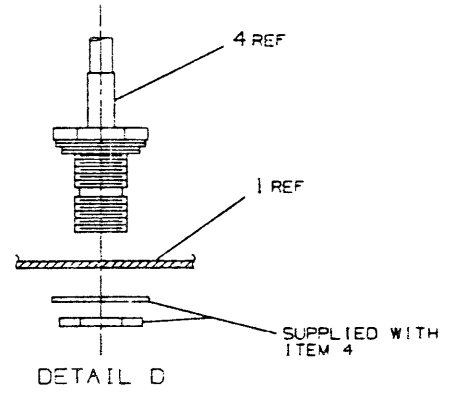
LTN



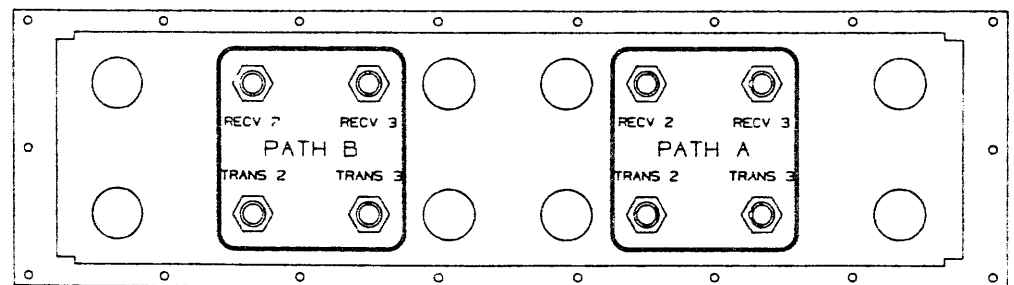
SECTION E-E



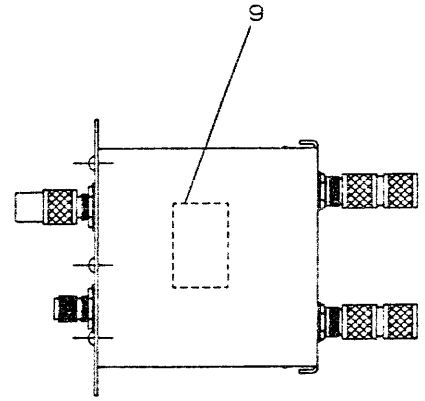
DETAIL B
ITEM 7 NOT SHOWN



DETAIL D



VIEW A-A
ROTATED 180°



SECTION C-C

REVISION HISTORY		
DATE	ECO HISTORY	REV

PLOT AT : 1.00

TITLE		DOCUMENT NUMBER	
STAR COUPLER	E 100 7022193-0-DBU	REV	A
ASSY, (4 NODE)	SCALE 1/1	SHEET	2 OF 2

LINE	ITEM	TOP DOCUMENT	PART NUMBER	MIN REV	DESCRIPTION	QTY	PER VARIATION
1	1	E-IA-7431440-0-DBU	7431440-01		PANEL,FRONT,SC4	1	01
2	2	E-IA-7431438-0-DBU	7431438-01		BRACKET,MTG.,SC4 MODULE	1	A1
3	3	D-UA-5417523-0-0	5417523-01		PC BOARD,4 NODE STAR COUPLER	1	
4	4	A-PS-1700967-0-0	1700967-01		CABLE ASSY W/CONN,9"LG	8	
5	5	A-PS-1218633-0-0	1218633-00		CONN,COAX TNC 50 OHM PLUG CRIM	8	
6	6	A-PS-1220575-0-0	1220575-01		BUSHING,INSULATD MYLAR .56 IDX	16	
7	7	A-PS-1224139-0-0	1224139-01		CONN,COAX TNC 500HMS	8	
8	8		9000049-24		SCREW,SEMS PAN PHIL	6-	6
9	9	A-PS-3619264-0-0	3619264-17		LABEL,SET VAR 01 THRU 16		1

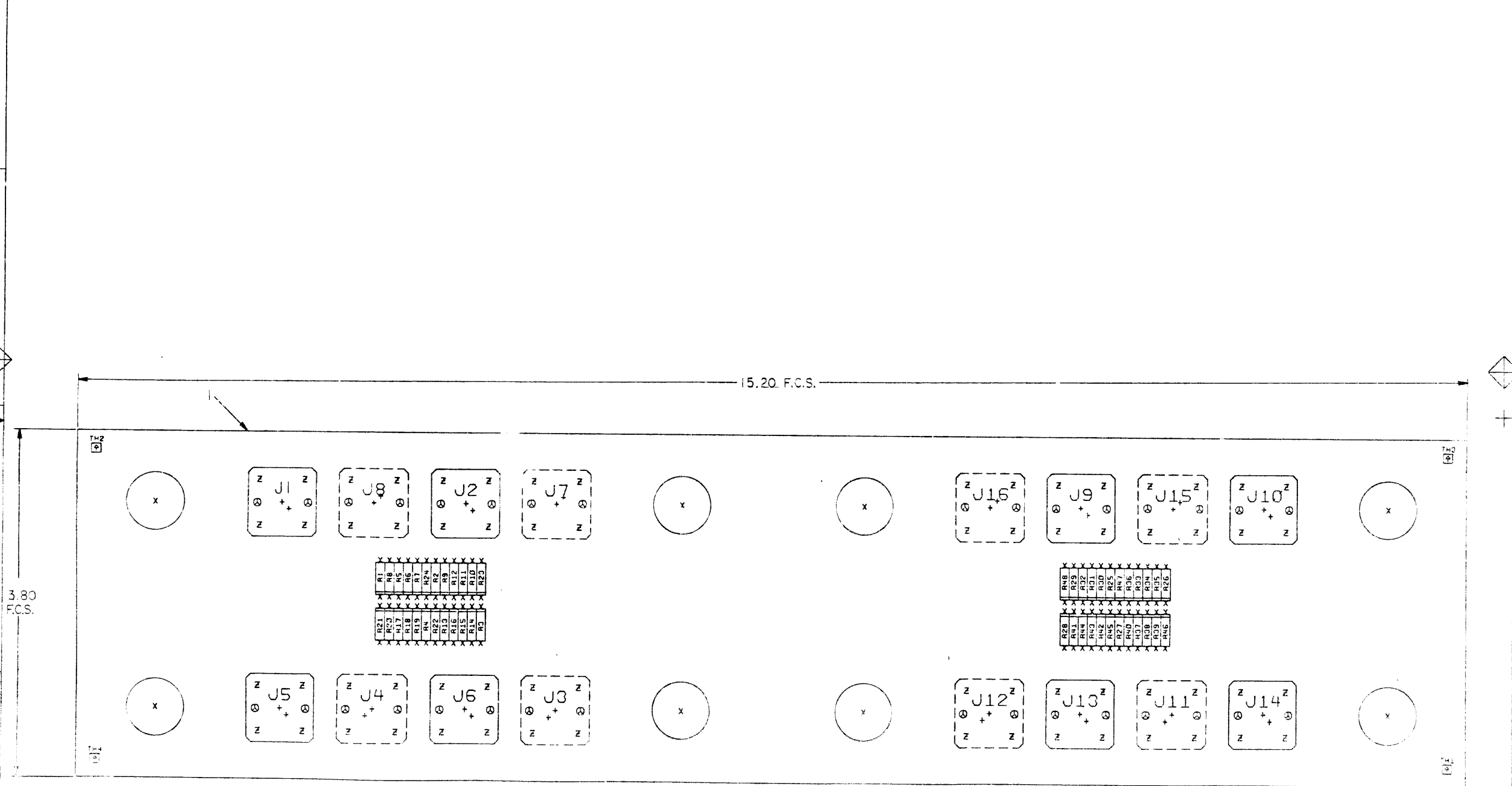
REVISION HISTORY		BASIC PART NO: 7022193		DRN: C. SENECALE	DATE: 25 OCT 84	D I G I T A L	
ENG	ECO NUMBER	REV	SECTION A OF A	CHK'D: L. BOURGAULT	DATE: 9 FEB 85	TITLE PARTS LIST STAR COUPLER ASSY	
---	INITIAL	A	SECTION VARIATION INDEX (A)01	DES.ENG: B. MORIN	DATE: 9 FEB 85	DOCUMENT NUMBER	
			(B)	RESP.ENG.: B. MORIN	DATE: 9 FEB 85	SIZE: K	CODE: PL
			(C)	MFG.ENG.: G. JARVIS	DATE: 9 FEB 85	NUMBER: 7022193-0-DBP	REV: A
			(D)	ASSEMBLY NUMBER: E-AD-7022193-0-DBU	TOP DOCUMENT NUMBER: E-AD-7022193-0-DBU	RELEASE DATE: 13-FEB-85	FILE NAME: TWO91A.PLS
			(E)				EDIT # 6
			(F)				

"THIS DRAWING AND THE SPECIFICATIONS CONTAINED HEREIN ARE CONFIDENTIAL AND PROPRIETARY. THEY ARE THE PROPERTY OF DIGITAL EQUIPMENT CORPORATION AND SHALL NOT BE REPRODUCED OR COPIED OR USED IN WHOLE OR IN PART AS THE BASIS FOR THE MANUFACTURE OR SALE OF ITEMS WITHOUT WRITTEN PERMISSION. THIS IS AN UNPUBLISHED WORK PROTECTED UNDER THE FEDERAL COPYRIGHT LAWS."

8 7 6 5 4 3 2 1

THIS DRAWING AND SPECIFICATIONS HEREBY ARE THE PROPERTY OF DIGITAL EQUIPMENT CORPORATION AND SHALL NOT BE REPRODUCED OR COPIED OR IN ANY MANNER OR PART BE THE BASIS FOR THE MANUFACTURE OR SALE OF ITEMS WITHOUT THE WRITTEN PERMISSION OF DIGITAL EQUIPMENT CORPORATION © 1984

COMPONENT SIDE VIEW



NOTES

1. MOUNTED TO BOARD
2. CONNECTOR CONNECTORS ON SIDE 2
3. STEP AND REPEAT CODE IS 2AC155

STEP 1	X Y AXIS	1.000	STEP 2	TIMES
STEP 2	X Y AXIS	1.000	STEP 2	TIMES

CHG. NO.	REV.

ETCH REV. 01

SIGNATURES		DATE
DRN. <i>[Signature]</i>		2-21-85
CHK. D. <i>[Signature]</i>		2-21-85
MECH. ENG. S. <i>[Signature]</i>		2-21-85
PROD. ENG. S. <i>[Signature]</i>		2-21-85
PROD. S. <i>[Signature]</i>		2-21-85
SCALE 2:1		
SHT. 1 OF 1		
NEXT HIGHER ASSY: 8-DD-84 1523-0-0		

D:\A\5417523-0-0 A

1 WO# 100134

AUTOMATED BY PRTLST.5R(55)

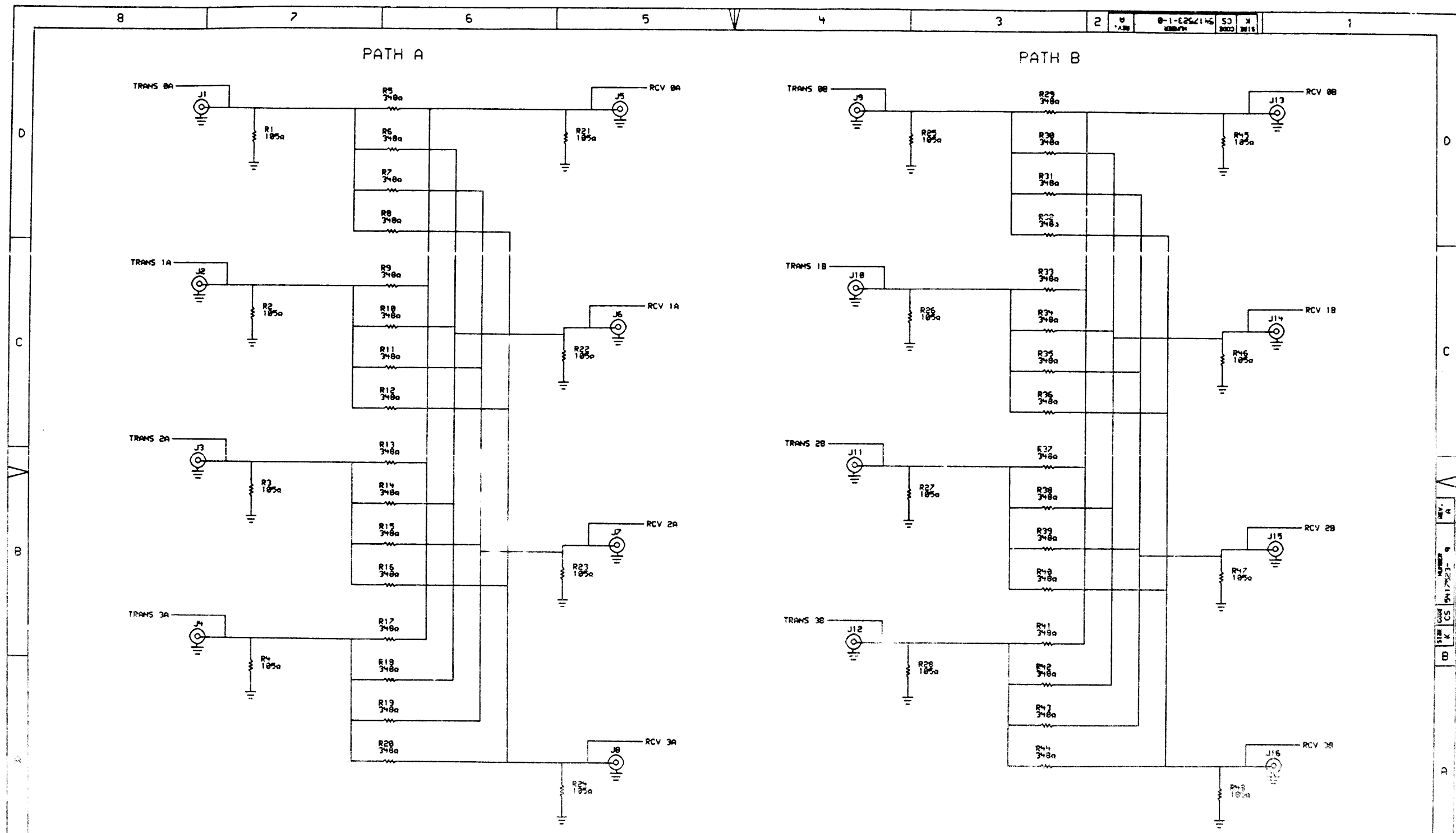
P A R T S L I S T

SHEET A1 OF A1

LINE	ITEM	TOP DOCUMENT	PART NUMBER	MIN REV	DESCRIPTION	QTY	PER VARIATION	REFERENCE DESIGNATOR
					VARIATION REVISION LEVEL:	01		
						A1		
1	1	D-MD-5017522-0-0	5017522-01		DRILL & ETCH BOARD	1		
2	2		1217979-00		CONN,COAX TNC 50 OHM JACK PC 0	16		J1-J16
3	3		1309294-00		105.0 .25 W .10% RN55E-B 2	16		R1-R4,R21-R28,R45-R48
4	4		1321573-01		348.0 .25 W .10% RN55E-B 2	32		R5-R20,R29-R44

REVISION HISTORY			BASIC PART NO: 5417523			
ENG	ECO NUMBER	REV	SECTION A OF A	DRN: S.MANSOR	DATE: 03-OCT-84	D I G I T A L
---	INITIAL	A	SECTION VARIATION INDEX	CHK'D: F.GAROFALO	DATE: 10-OCT-84	TITLE PARTS LIST
			[A] 01			4 NODE STAR COUPLER
			[B]	DES.ENG: STEVE BARBAS	DATE: 10-OCT-84	DOCUMENT NUMBER
			[C]			SIZE CODE NUMBER REV
			[D]	RESP.ENG.: STEVE BARBAS	DATE: 10-OCT-84	K PL 5417523-0-DBP A
			[E]			
			[F]	MFG.ENG.: GARTH JARVIS	DATE: 21-FEB-85	RELEASE DATE: 25-FEB-85
			[H]			
			[J]	ASSEMBLY NUMBER:	TOP DOCUMENT NUMBER:	FILE NAME:
			[K]	D-UA-5417523-0-0	B-DD-5417523-0-0	227A.PLS
			[L]			EDIT #
			[M]			4
			[N]			

"THIS DRAWING AND THE SPECIFICATIONS CONTAINED HEREIN ARE CONFIDENTIAL AND PROPRIETARY. THEY ARE THE PROPERTY OF DIGITAL EQUIPMENT CORPORATION AND SHALL NOT BE REPRODUCED OR COPIED OR USED IN WHOLE OR IN PART AS THE BASIS FOR THE MANUFACTURE OR SALE OF ITEMS WITHOUT WRITTEN PERMISSION. THIS IS AN UNPUBLISHED WORK PROTECTED UNDER THE FEDERAL COPYRIGHT LAWS."



NOTE: PATH A GND IS ISOLATED FROM PATH B GND.

REV.	CHANGE NO.	DESCRIPTION
1		INITIAL DESIGN

digital

DATE	ENG.	DATE	TITLE: 4 NODE, DUAL PATH STAR COUPLER
DATE	DATE	DATE	DATE
DATE	DATE	DATE	DATE

FIRST USED ON OPTION MODEL: D-1A-3417523-0-0

17523-0-0
 K 105 17523-0-0
 A